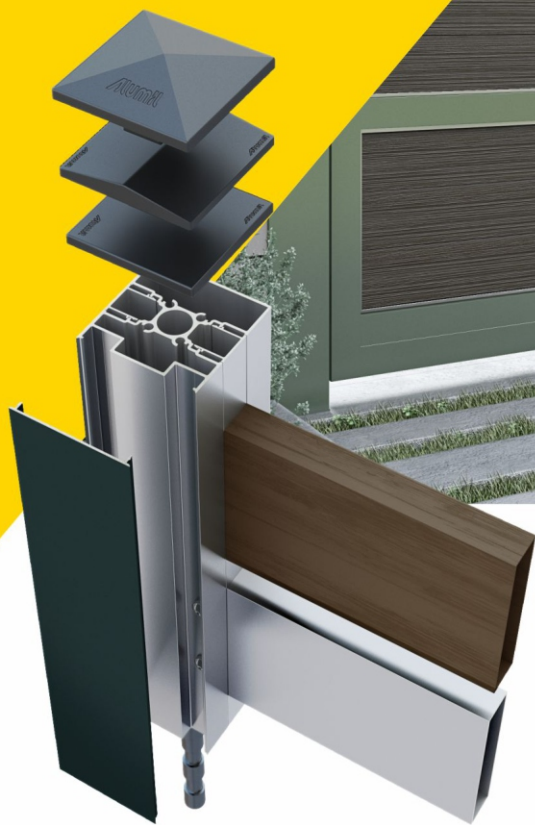


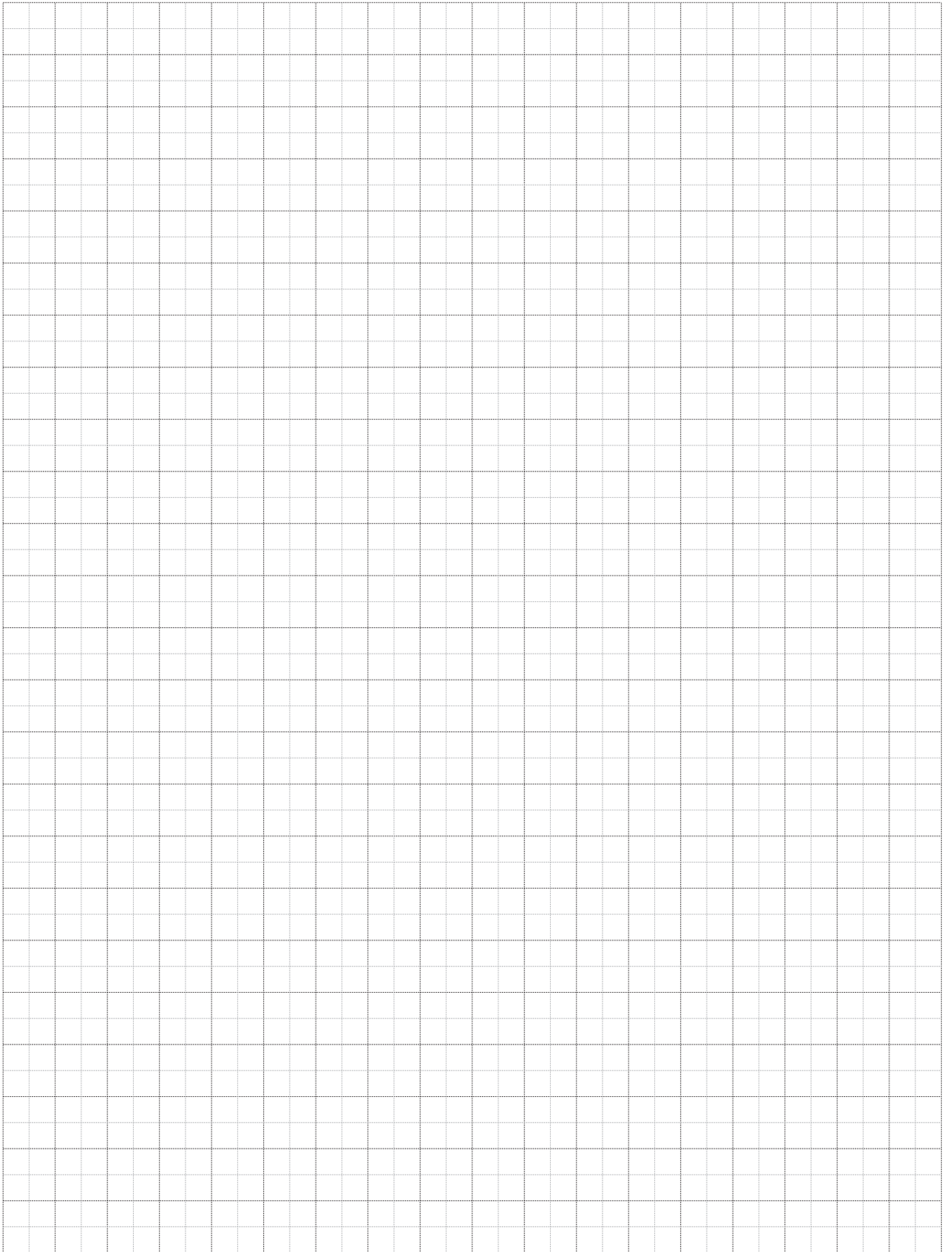
# Alumil

Building excellence every day

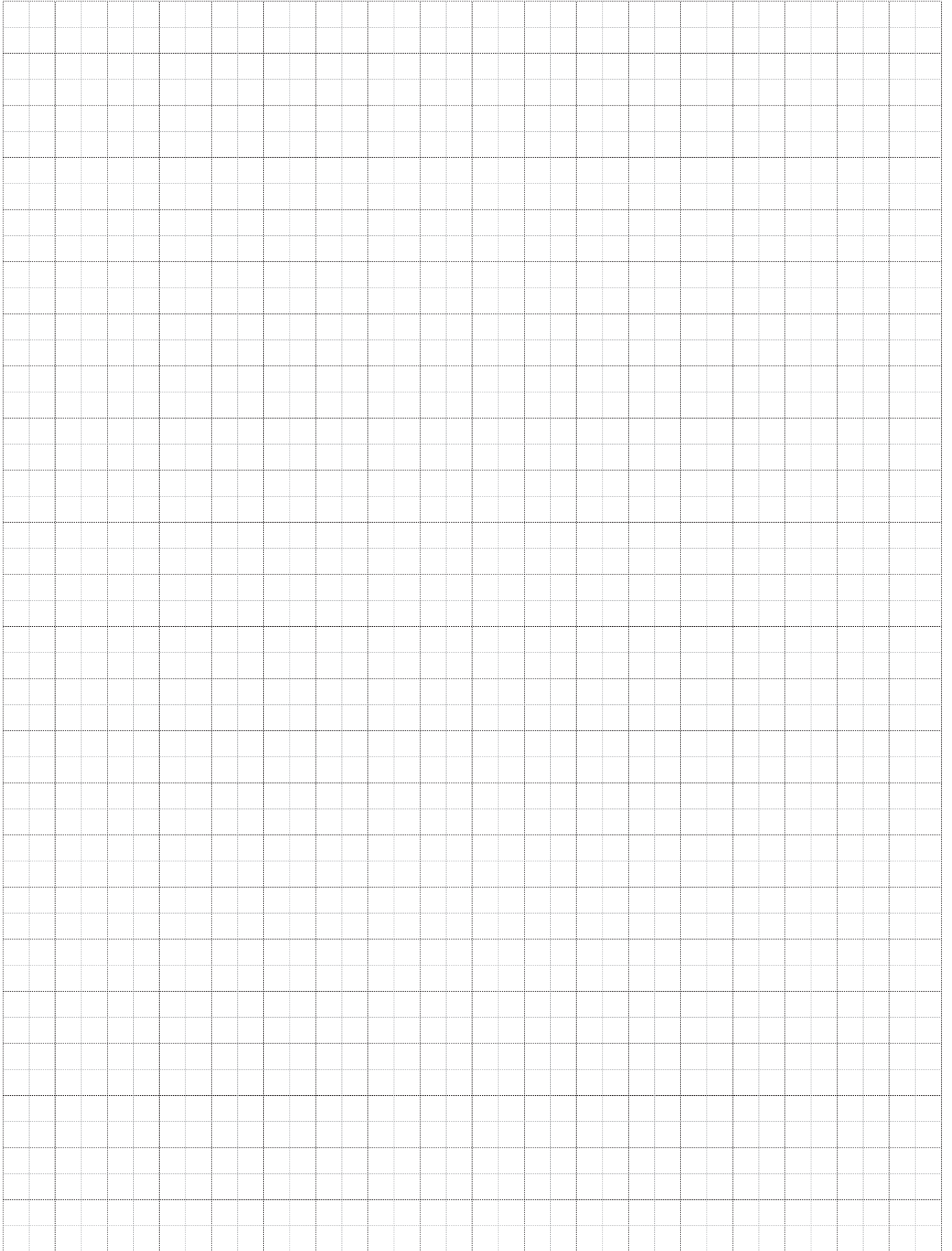


 SMARTIA  
FC80

V.220225



<b>Technical Information   Τεχνικές Πληροφορίες</b>	<b>5-8</b>
<b>Symbol Explanation   Επεξήγηση Συμβόλων</b>	<b>9-10</b>
<b>Profile Index 1:4   Ευρετήριο Προφίλι 1:4</b>	<b>11-16</b>
<b>Profile Index   Ευρετήριο Προφίλι</b>	<b>17-20</b>
<b>Profiles 1:1   Προφίλι 1:1</b>	<b>21-40</b>
<b>Sections   Τομές</b>	<b>41-92</b>
<b>Basic Typologies   Βασικές Τυπολογίες</b>	<b>93-132</b>
<b>Hinged Gate   Ανοιγόμενη αυλόπορτα</b>	<b>133-150</b>
<b>Sliding Gate   Συρόμενη αυλόπορτα</b>	<b>151-162</b>
<b>Extra informations   Επιπλέον πληροφορίες</b>	<b>163-186</b>
<b>Accessories . Gaskets   Εξαρτήματα . Ελαστικά</b>	<b>187-218</b>
<b>General Information   Γενικές Πληροφορίες</b>	<b>219-225</b>





A decorative graphic on the left side of the page, consisting of several overlapping diagonal stripes in shades of yellow and orange, extending from the top left towards the bottom right.

# Technical Information Τεχνικές Πληροφορίες



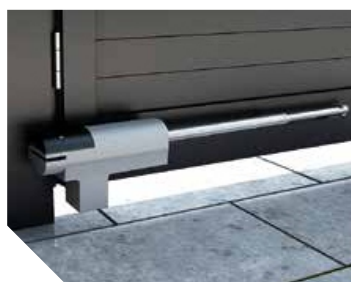
**SMARTIA FC80** is an advanced and multiform fencing system with a wide range of aluminum louvers and other decorative elements (composite wood, aluminium sheet, glass panel, inox), placed inlaid, between the mullions. At the same time, it offers a vast variety of technical solutions and applications with high levels of innovation, being undoubtedly a valuable tool for architects and consumers, which can meet all the technical and aesthetic needs of a project.

Advantages

- Top robustness for large scale constructions (3.0m sash width)
- Possibility of closed surfaces without wind pressure problems (2.0m fence height)
- Unlimited decorative solutions, and high levels of customization as well
- High levels of innovation and use of pioneering materials (Woodalux®, special frames, lighting, etc.)
- Replacement of concrete posts with aluminium profiles



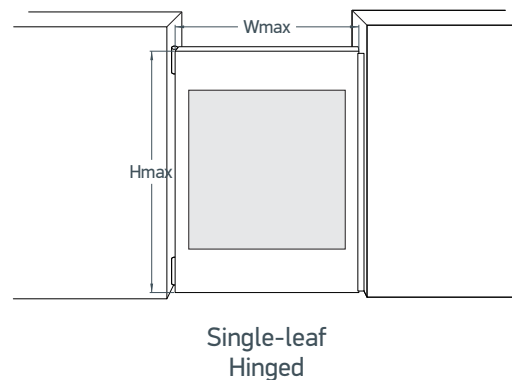
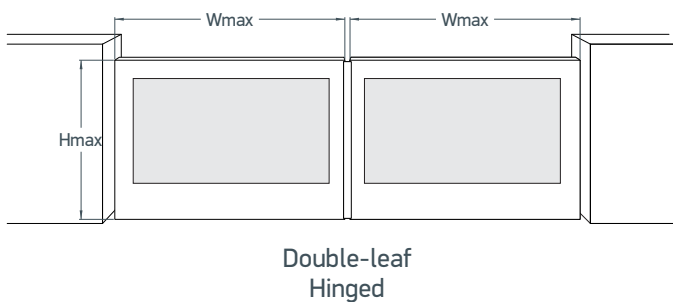
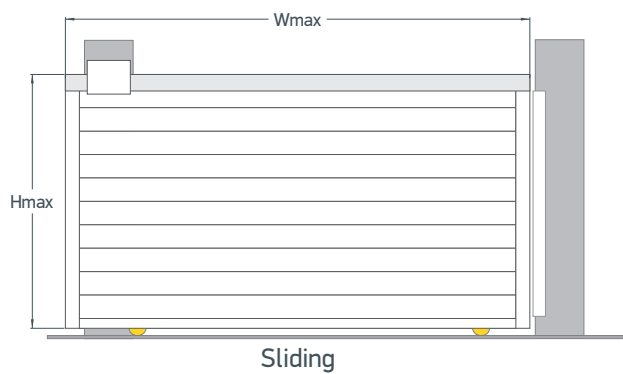
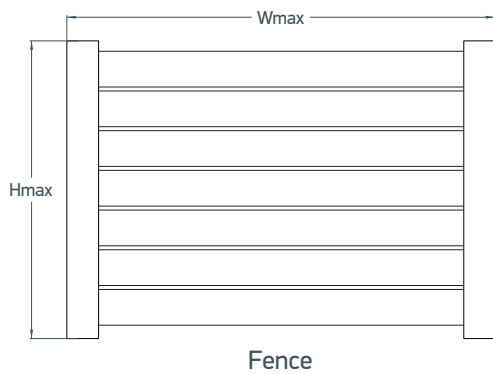
- / Support construction made exclusively of aluminium profiles instead of cement blocks, for total aluminium feeling.
- / Special design which completes the firm closure and locking, without imbalances from wind loads.
- / Compatibility with advanced equipment for smooth automatic operation (motor, automations, etc.).
- / Special profiles, which have the operation mechanism concealed, at the upper and bottom part, and provide extra minimal result.

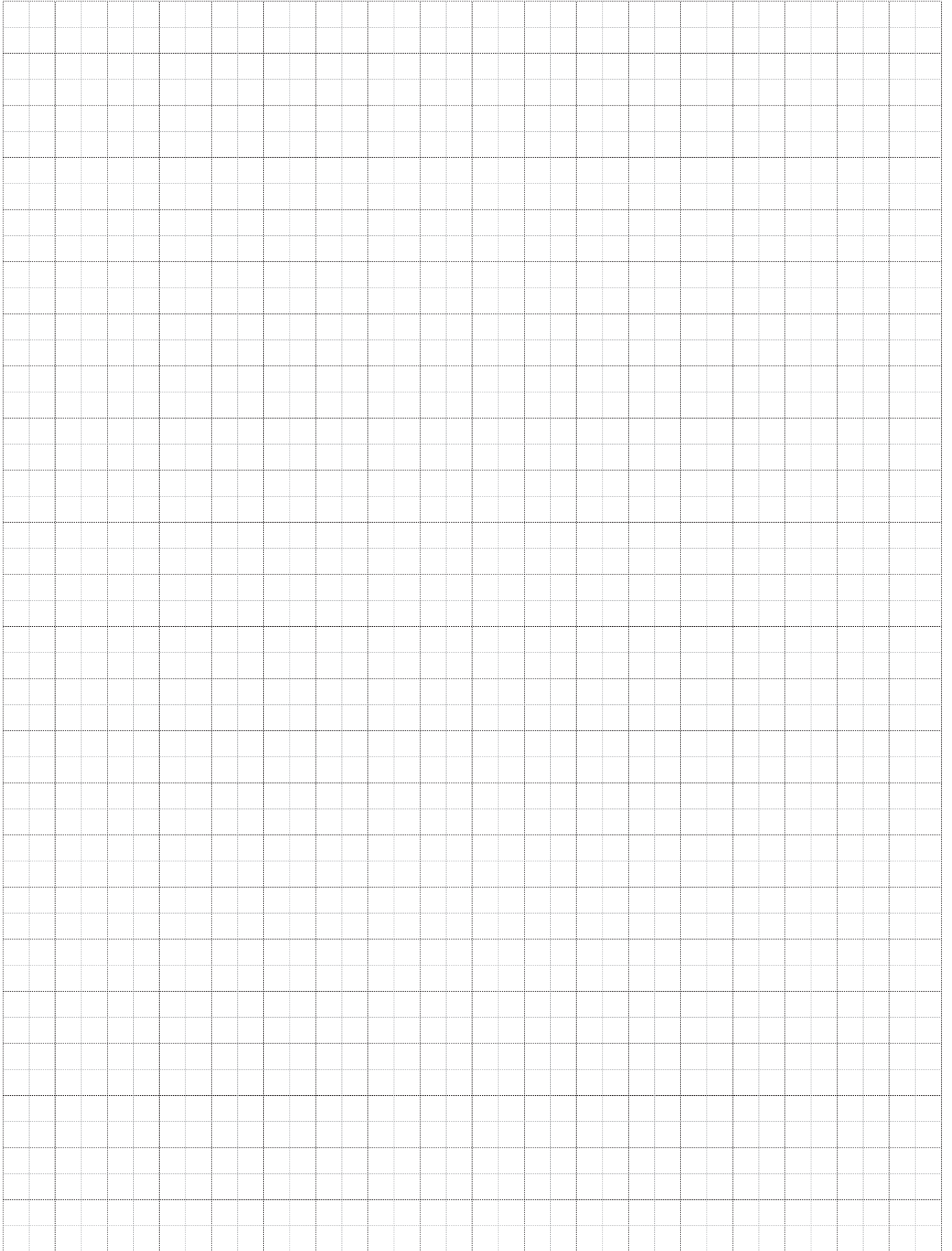


Typologies and max dimensions  
Τυπολογίες και max διαστάσεις

Typology	With gaps	Wmax	Hmax	max (W, H)	
Fence	Yes	2.0	2.0	(2.0 , 1.3m)	(1.4 , 2.0m)
	No	1.8	2.0	(1.8 , 1.2m)	(1.0 , 2.0m)
Sliding	Yes	6.0	2.0	(6.0 , 1.5m)	(5.0 , 2.0m)
	No	6.0	1.8	(6.0 , 1.4m)	(4.5 , 1.8m)
Single-leaf* Hinged	Yes	4.5	2.0	(4.5 , 1.6m)	(3.2 , 2.0m)
	No	4.0	1.8	(4.0 , 1.6m)	(3.2 , 1.8m)
Double-leaf* Hinged	Yes	3.0+3.0	2.0	(3.0+3.0 , 1.6m)	(2.0+2.0 , 2.0m)
	No	2.5+2.5	1.8	(2.5+2.5 , 1.6m)	(1.6+1.6 , 1.8m)

\*For max dimensions use the pivot hinge 830.83.550.xx





A large, abstract graphic on the left side of the page, composed of several overlapping diagonal bands in shades of yellow and orange, creating a dynamic, geometric pattern.

# Symbol Explanation Επεξήγηση Συμβόλων

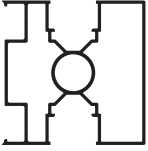


= Γωνία επιπεδότητας	= Ρυθμιζόμενος σύνδεσμος τραβέρσας	= Στιγμιαία κόλληση
= Γωνία σύνδεσης πρεσαριστή	= Πλάκα ενίσχυσης για γωνίες	= Μονωτική ταινία
= Γωνία σύνδεσης καρφωτή	= Πλάκα ενίσχυσης σύνδεσης "T"	= Μέγιστο πλάτος
= Γωνία σύνδεσης κουμπωτή χυτή	= Ειδικό	= Μέγιστο ύψος
= Γωνία σύνδεσης κουμπωτή αλουμινίου	= Προφίλ ενίσχυσης και πυρήνα	= Εξωτερική περίμετρος
= Γωνία σύνδεσης βιδωτή	= Τάπα	= Κύρια περίμετρος
= Γωνία σύνδεσης με υποδοχή για βίδα	= Kooltherm	= Ροπή αδρανείας x.x
= Γωνία για πηχάκι		= Ροπή αδρανείας y.y
= Γωνία σύνδεσης ρυθμιζόμενη		= Βάρος
= Σύνδεσμος του χυτός		= Προφίλ
= Σύνδεσμος του αλουμινίου		= Αριθμός σελίδας
= Σύνδεσμος τραβέρσας		* = Δεν υπάρχει απόθεμα
= Γέφυρα τακαρίσματος		
= Alignment corner	= Adjustable transom.mullion cleat	= Instant glue
= Crimp cleat	= Reinforcing plate for corners	= Sealing tape
= Nail cleat	= Reinforcing plate for joints	= Width
= Cast spring cleat	= Special	= Height
= Aluminium spring cleat	= Couple Cleat	= External perimeter
= Screw spring cleat	= End cap	= Primary perimeter
= Crimp cleat pre.tapped	= Kooltherm	= Moment of inertia x.x
= Glazing holder corner	= Saw	= Moment of inertia y.y
= Corner cleat, adjustable	= Milling bit	= Weight
= Cast transom.mullion cleat	= Rubber mallet	= Profile
= Aluminium transom.mullion cleat	= Drill jig	= Page number
= Transom.mullion cleat	= Punch press	* = Not a stock item
= Setting block	= Sealant	

A large, abstract graphic on the left side of the page, composed of several overlapping diagonal bands in shades of yellow and orange, creating a dynamic, geometric pattern.

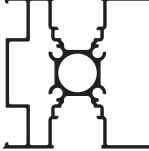
# Profile Index 1:4 Ευρετήριο Προφίλ 1:4

**M8357**



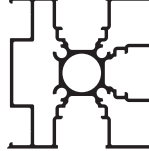
$I_x$  (cm<sup>4</sup>): 61,27  
 $I_y$  (cm<sup>4</sup>): 58,63  
 Outside perimeter (mm): 481,5  
 Primary perimeter (mm): 189

**M8358**



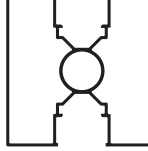
$I_x$  (cm<sup>4</sup>): 59,89  
 $I_y$  (cm<sup>4</sup>): 62,04  
 Outside perimeter (mm): 488  
 Primary perimeter (mm): 191.2

**M8359**



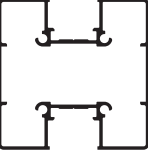
$I_x$  (cm<sup>4</sup>): 60,29  
 $I_y$  (cm<sup>4</sup>): 63,66  
 Outside perimeter (mm): 548.7  
 Primary perimeter (mm): 163.9

**M8369**




$I_x$  (cm<sup>4</sup>): 53,97  
 $I_y$  (cm<sup>4</sup>): 55,22  
 Outside perimeter (mm): 433  
 Primary perimeter (mm): 268.4

**M8350**



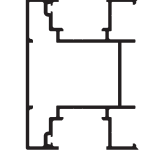
$I_x$  (cm<sup>4</sup>): 62,87  
 $I_y$  (cm<sup>4</sup>): 65,36  
 Outside perimeter (mm): 423.1  
 Primary perimeter (mm): 269.6

**M8379**



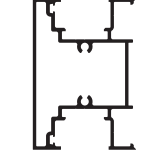
$I_x$  (cm<sup>4</sup>): 10,98  
 $I_y$  (cm<sup>4</sup>): 37,91  
 Outside perimeter (mm): 291.1  
 Primary perimeter (mm): 212

**M8351**




$I_x$  (cm<sup>4</sup>): 47,82  
 $I_y$  (cm<sup>4</sup>): 27,26  
 Outside perimeter (mm): 482.7  
 Primary perimeter (mm): 181

**M8362**




$I_x$  (cm<sup>4</sup>): 23,63  
 $I_y$  (cm<sup>4</sup>): 45,62  
 Outside perimeter (mm): 452.1  
 Primary perimeter (mm): 139.8

**M8352**



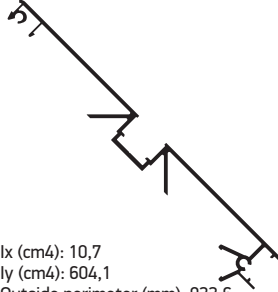
$I_x$  (cm<sup>4</sup>): 8,08  
 $I_y$  (cm<sup>4</sup>): 0,02  
 Outside perimeter (mm): 180.6  
 Primary perimeter (mm): 89.11

**M8368**




$I_x$  (cm<sup>4</sup>): 0,96  
 $I_y$  (cm<sup>4</sup>): 3,52  
 Outside perimeter (mm): 240.6  
 Primary perimeter (mm): 65.31

**M8390**




$I_x$  (cm<sup>4</sup>): 10,7  
 $I_y$  (cm<sup>4</sup>): 604,1  
 Outside perimeter (mm): 933,6  
 Primary perimeter (mm): 222,5

**M5702**



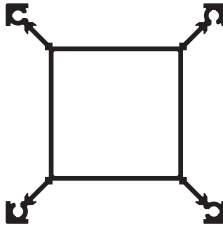
$I_x$  (cm<sup>4</sup>): 0,25  
 $I_y$  (cm<sup>4</sup>): 25,44  
 Outside perimeter (mm): 291.5  
 Primary perimeter (mm): 117.7

**M5887**




$I_x$  (cm<sup>4</sup>): 3,21  
 $I_y$  (cm<sup>4</sup>): 27,99  
 Outside perimeter (mm): 405.5  
 Primary perimeter (mm): 92.76

**M5701**




$I_x$  (cm<sup>4</sup>): 210,65  
 $I_y$  (cm<sup>4</sup>): 210,65  
 Outside perimeter (mm): 707.8  
 Primary perimeter (mm): 0

**M5888**



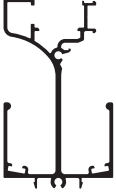
$I_x$  (cm<sup>4</sup>): 6,68  
 $I_y$  (cm<sup>4</sup>): 135,29  
 Outside perimeter (mm): 497.2  
 Primary perimeter (mm): 81.72

**M8378**




$I_x$  (cm<sup>4</sup>): 24,21  
 $I_y$  (cm<sup>4</sup>): 2,89  
 Outside perimeter (mm): 299.5  
 Primary perimeter (mm): 129.1

**M8387**




Ix (cm4): 86,65  
 Iy (cm4): 25,61  
 Outside perimeter (mm): 726,4  
 Primary perimeter (mm): 277,7

**M8388**




Ix (cm4): 1,25  
 Iy (cm4): 0,83  
 Outside perimeter (mm): 166,5  
 Primary perimeter (mm): 70,56

**M8361**



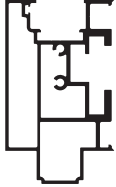
Ix (cm4): 1,66  
 Iy (cm4): 54,45  
 Outside perimeter (mm): 336,7  
 Primary perimeter (mm): 130,3

**M8360**



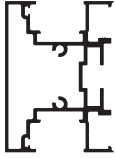
Ix (cm4): 1,86  
 Iy (cm4): 59,75  
 Outside perimeter (mm): 423,4  
 Primary perimeter (mm): 0

**M8391**




Ix (cm4): 79,33  
 Iy (cm4): 33,52  
 Outside perimeter (mm): 498,7  
 Primary perimeter (mm): 112,9

**M8400**




Ix (cm4): 23,63  
 Iy (cm4): 45,62  
 Outside perimeter (mm): 452,1  
 Primary perimeter (mm): 139,8

**M8415**




Ix (cm4): 21,1  
 Iy (cm4): 0,68  
 Outside perimeter (mm): 325  
 Primary perimeter (mm): 112,3

**M8398**




Ix (cm4): 14,51  
 Iy (cm4): 21,36  
 Outside perimeter (mm): 368,7  
 Primary perimeter (mm): 178,1

**M8354**



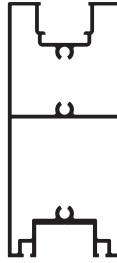
Ix (cm4): 1,96  
 Iy (cm4): 3,60  
 Outside perimeter (mm): 254,5  
 Primary perimeter (mm): 19,4

**M8353**



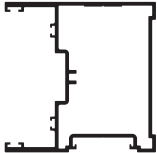
Ix (cm4): 1,68  
 Iy (cm4): 3,36  
 Outside perimeter (mm): 223,4  
 Primary perimeter (mm): 23,4

**M8364**



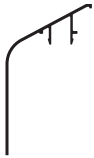
Ix (cm4): 241,7  
 Iy (cm4): 60,25  
 Outside perimeter (mm): 512,3  
 Primary perimeter (mm): 304,2

**M8365**



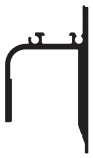
Ix (cm4): 75,79  
 Iy (cm4): 48,67  
 Outside perimeter (mm): 464,6  
 Primary perimeter (mm): 362,62

**M8367**




Ix (cm4): 10,88  
 Iy (cm4): 4,78  
 Outside perimeter (mm): 269,3  
 Primary perimeter (mm): 107,1

**M8366** Anodized Aluminium




Ix (cm4): 19,12  
 Iy (cm4): 16,72  
 Outside perimeter (mm): 346,7  
 Primary perimeter (mm): 0

**M8376**




Ix (cm4): 2,21  
 Iy (cm4): 2,98  
 Outside perimeter (mm): 231,6  
 Primary perimeter (mm): 32,32

**M8464**



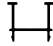
W=67 gr/m  
 Ix (cm4): 0  
 Iy (cm4): 0,07  
 Outside perimeter (mm): 48,2  
 Primary perimeter (mm): 17,2

**M8375**




lx (cm4): 0.37  
ly (cm4): 0.73  
Outside perimeter (mm): 140.4  
Primary perimeter (mm): 12.6

**M8409**



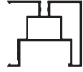
lx (cm4): 0,36  
ly (cm4): 0,72  
Outside perimeter (mm): 138,2  
Primary perimeter (mm): 11,4

**M8385**




lx (cm4): 2.81  
ly (cm4): 3.82  
Outside perimeter (mm): 219.8  
Primary perimeter (mm): 77.2

**M8386**




lx (cm4): 3.08  
ly (cm4): 3.74  
Outside perimeter (mm): 228.1  
Primary perimeter (mm): 87

**M8374**




lx (cm4): 0.41  
ly (cm4): 0.66  
Outside perimeter (mm): 165.6  
Primary perimeter (mm): 22.4

**M8356**




lx (cm4): 0.40  
ly (cm4): 0.64  
Outside perimeter (mm): 133.2  
Primary perimeter (mm): 26.8

**M8397**




lx (cm4): 0.34  
ly (cm4): 0.61  
Outside perimeter (mm): 163.8  
Primary perimeter (mm): 12.6

**M8384**



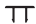
lx (cm4): 0  
ly (cm4): 0.54  
Outside perimeter (mm): 83.4  
Primary perimeter (mm): 35

**M5860**




lx (cm4): 0.02  
ly (cm4): 0.74  
Outside perimeter (mm): 94.6  
Primary perimeter (mm): 35

**AL5882**




lx (cm4): 0.03  
ly (cm4): 0.06  
Outside perimeter (mm): 63,1  
Primary perimeter (mm): 16,9

**M8355**



lx (cm4): 1.58  
ly (cm4): 1.68  
Outside perimeter (mm): 128.3  
Primary perimeter (mm): 11.7

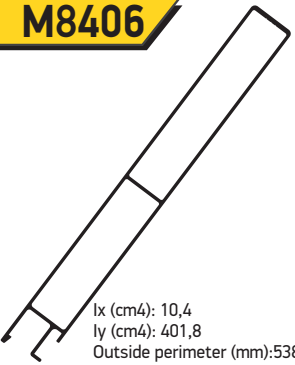
**M8413** Anodized Aluminium



10x20

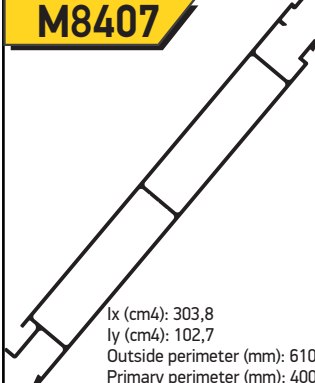
lx (cm4): 0,17  
ly (cm4): 0,67  
Outside perimeter (mm): 59,7  
Primary perimeter (mm): 59,7

**M8406**




lx (cm4): 10,4  
ly (cm4): 401,8  
Outside perimeter (mm): 538  
Primary perimeter (mm): 538

**M8407**



lx (cm4): 303,8  
ly (cm4): 102,7  
Outside perimeter (mm): 610  
Primary perimeter (mm): 400


**M9341**



W=909 gr/m  
lx (cm4): 26.78  
ly (cm4): 2.11  
Outside perimeter (mm): 288  
Primary perimeter (mm): 182.3




**M8463**




W=544 gr/m  
Ix (cm4): 0.42  
Iy (cm4): 1.17  
Outside perimeter (mm): 90.1  
Primary perimeter (mm): 50.3

**M8383**




Ix (cm4): 1.06  
Iy (cm4): 0.92  
Outside perimeter (mm): 118.9  
Primary perimeter (mm): 118.9

**M8382**




Ix (cm4): 4.54  
Iy (cm4): 1.56  
Outside perimeter (mm): 159.9  
Primary perimeter (mm): 159.94

**M8389**




Ix (cm4): 4,63  
Iy (cm4): 1,53  
Outside perimeter (mm): 216,4  
Primary perimeter (mm): 124,2

**M8462**



W=767 gr/m  
Ix (cm4): 30.74  
Iy (cm4): 3.13  
Outside perimeter (mm): 261.7  
Primary perimeter (mm): 226.5


**M8392**



25x15

Ix (cm4): 0.39  
Iy (cm4): 0.89  
Outside perimeter (mm): 79.48  
Primary perimeter (mm): 79.48

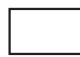
**M8393**



25x25

Ix (cm4): 1.3  
Iy (cm4): 1.3  
Outside perimeter (mm): 99.5  
Primary perimeter (mm): 99.5

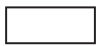
**M8394**



25x40

Ix (cm4): 1.59  
Iy (cm4): 3.32  
Outside perimeter (mm): 129.5  
Primary perimeter (mm): 129.5

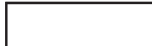
**M8381**



25x60

Ix (cm4): 9.69  
Iy (cm4): 2.44  
Outside perimeter (mm): 169.5  
Primary perimeter (mm): 169.5

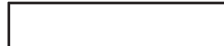
**M8380**



25x80

Ix (cm4): 20.1  
Iy (cm4): 3.17  
Outside perimeter (mm): 209.5  
Primary perimeter (mm): 209.5


**M8370**



25x120

Ix (cm4): 4.94  
Iy (cm4): 62.1  
Outside perimeter (mm): 289.1  
Primary perimeter (mm): 289.14


**M8399**



25x160

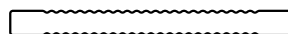
Ix (cm4): 7,61  
Iy (cm4): 178,47  
Outside perimeter (mm): 368  
Primary perimeter (mm): 368

**M8414**



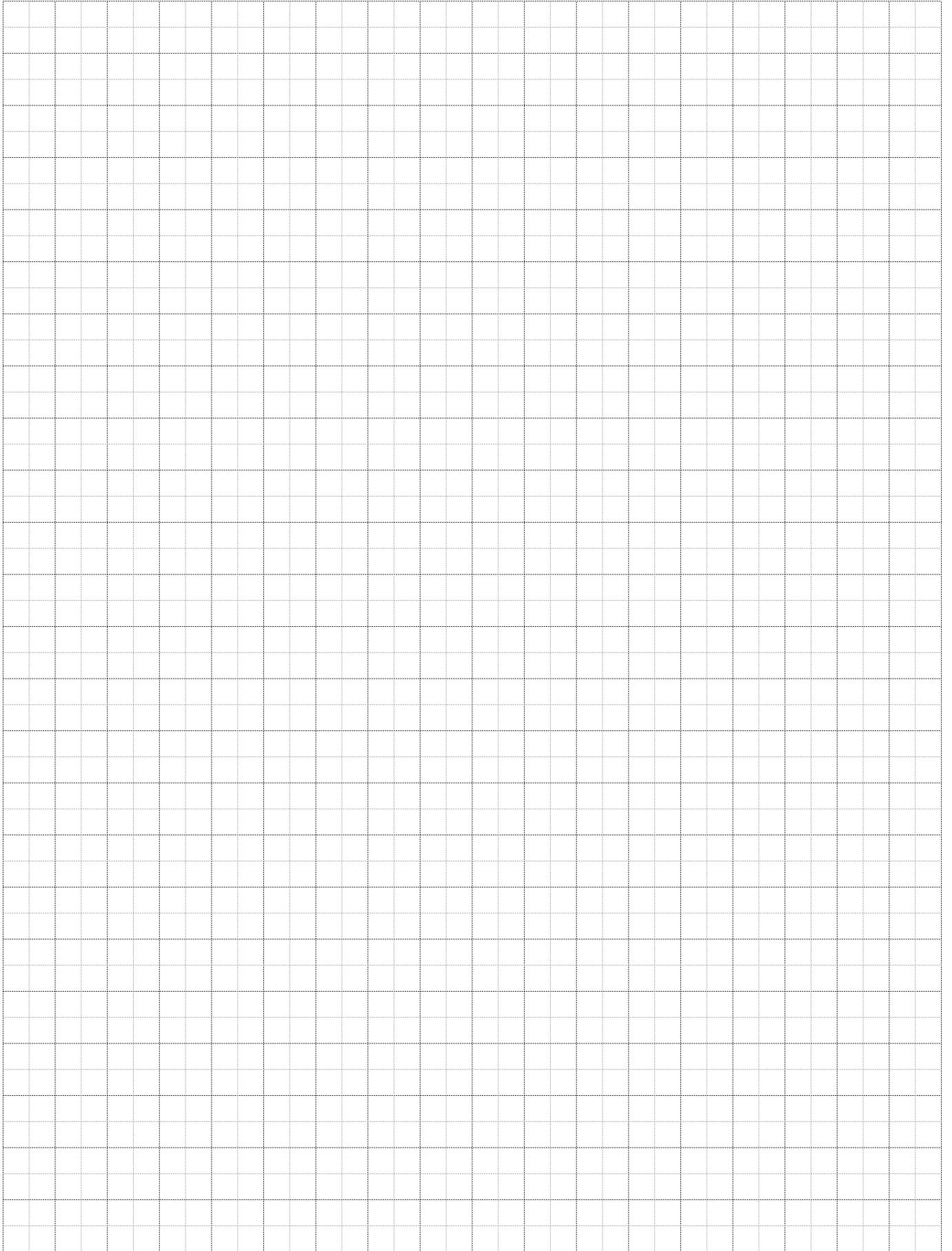
Ix (cm4): 24,73  
Iy (cm4): 3,58  
Outside perimeter (mm): 203,1  
Primary perimeter (mm): 203,1

**M8408**



14x150

Ix (cm4): 84  
Iy (cm4): 1,44  
Outside perimeter (mm): 345  
Primary perimeter (mm): 345



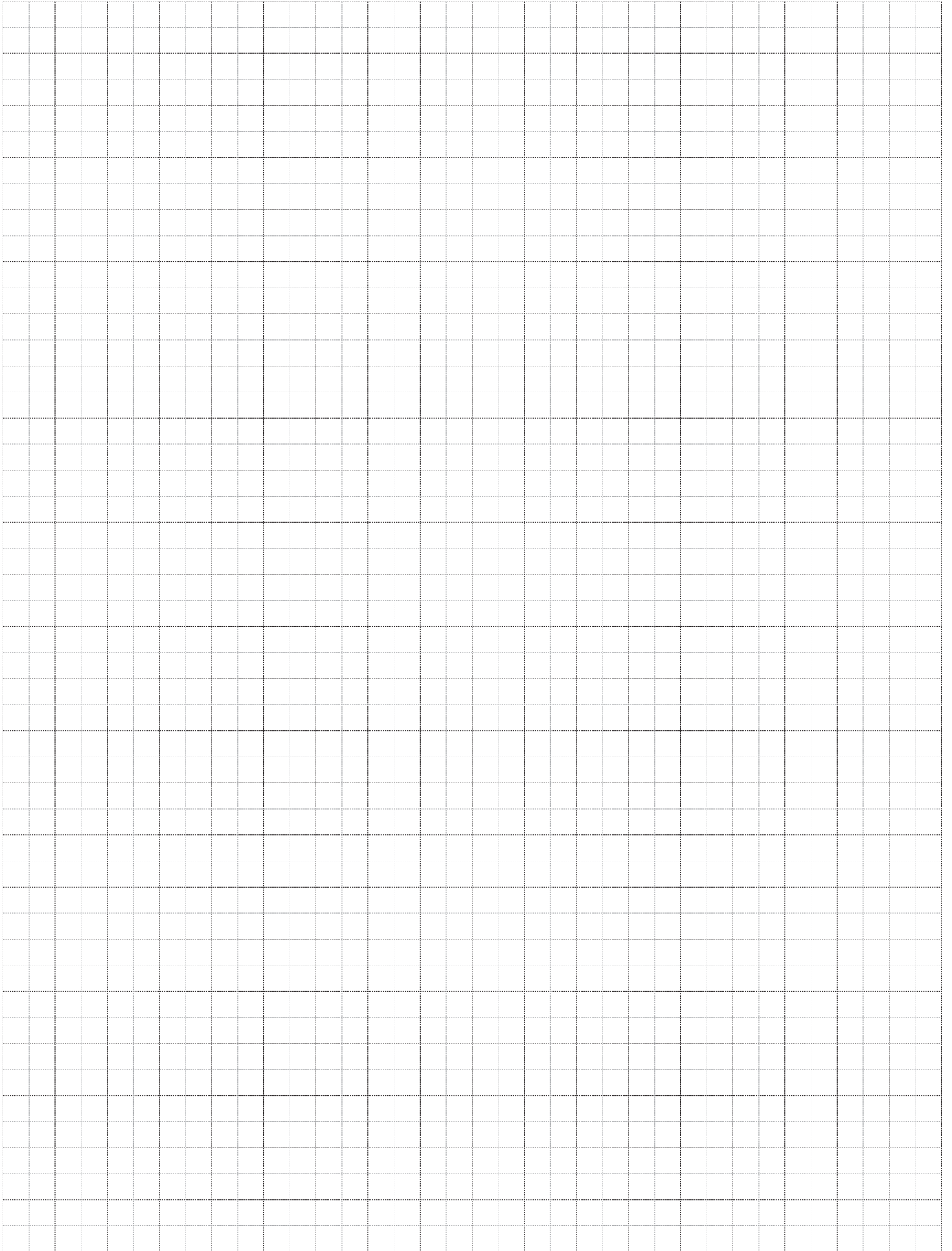
A large, abstract graphic on the left side of the page, composed of several overlapping diagonal bands in shades of yellow and orange, creating a dynamic, geometric pattern.

# Profile Index Ευρετήριο Προφίλ

Name	Profile	#	Name	Profile	#
AL5882		29			
M5701		24	M8359		22
M5702		24	M8360		29
M5860		30	M8361		29
M5887		25	M8362		23
M5888		25			
M8350		23	M8364		31
M8351		23	M8365		30
M8352		25			
M8353		26	M8366		30
M8354		26			
M8355		27	M8367		30
M8356		27	M8368		27
M8357		22	M8369		22
M8358		22			

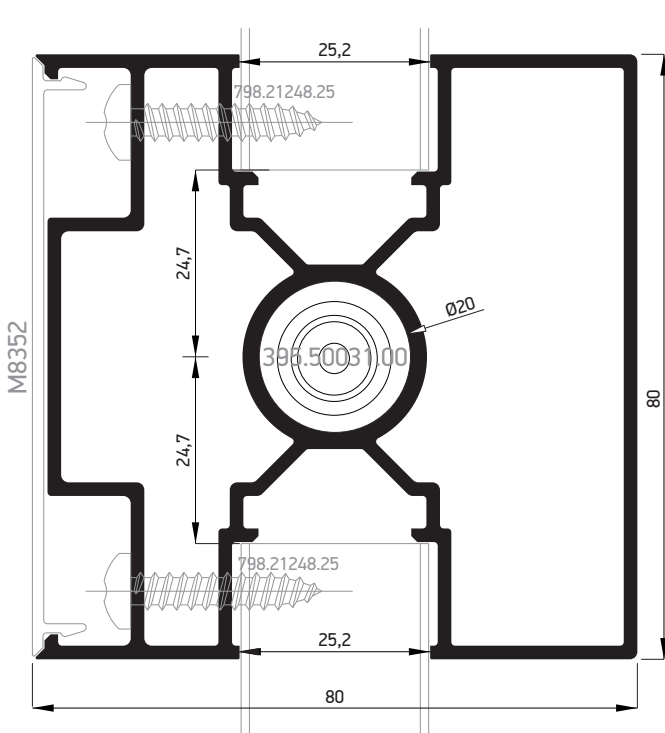
Name	Profile	#	Name	Profile	#
M8370 (25x120)		37	M8391		31
M8374		28			
M8375		28			
M8376		27			
M8378		25			
M8379		23			
M8380 (25x80)		37			
M8381 (25x60)		37			
M8382		36			
M8383		36			
M8384		28	M8392 (25x15)		37
M8385		28	M8393 (25x25)		37
M8386		28	M8394 (25x40)		37
M8387		26	M8397		33
			M8398		26
			M8399 (25x160)		37
			M8400		32
			M8406 (25x200)		38
			M8407 (25x200)		38
			M8408		35
			M8409		28
			M8413 (10x20)		30
			M8388		26
M8389		36	M8415		32
M8390		33	M8462		36
			M8463		36
			M8464		27
			M9341		35





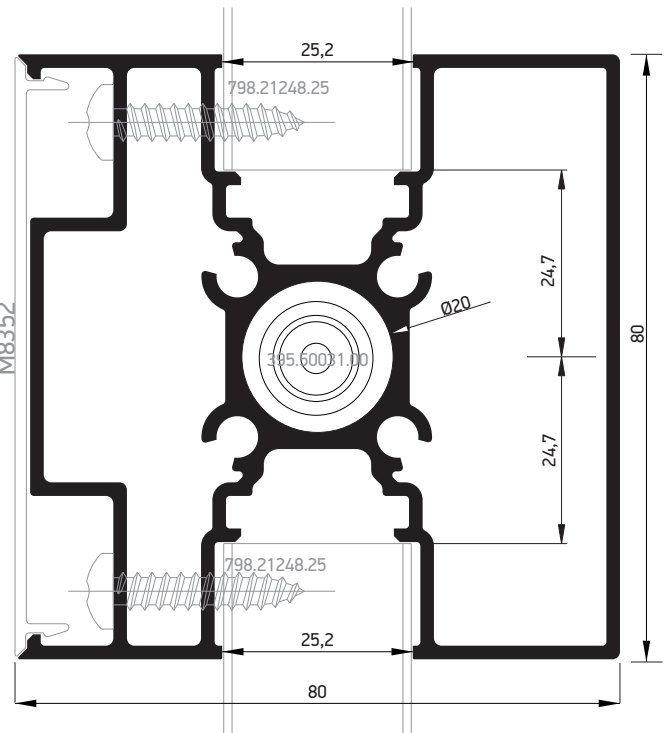


Profiles 1:1  
Προφίλ 1:1



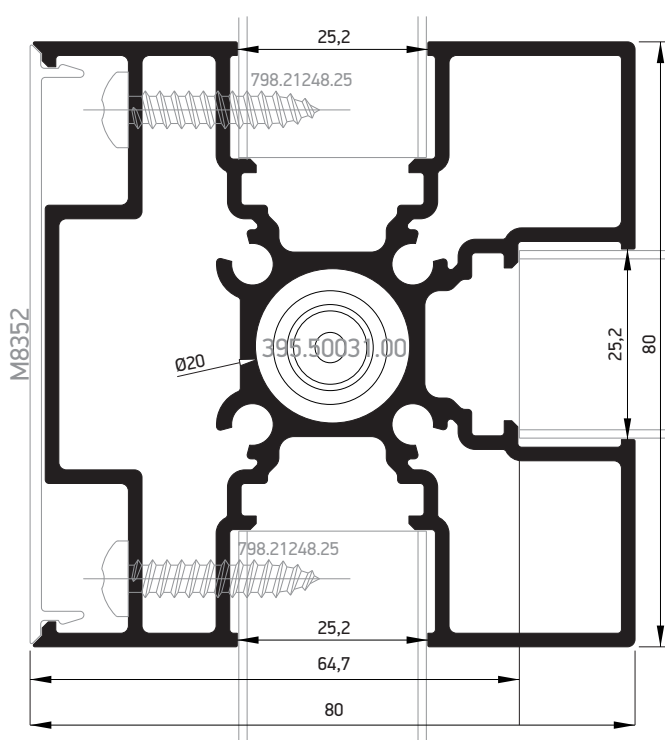
**M8352**

Rod post with two opposite sides for pickets  
 Ορθοστάτης δύο υποδοχών για περσίδες περιφραξής



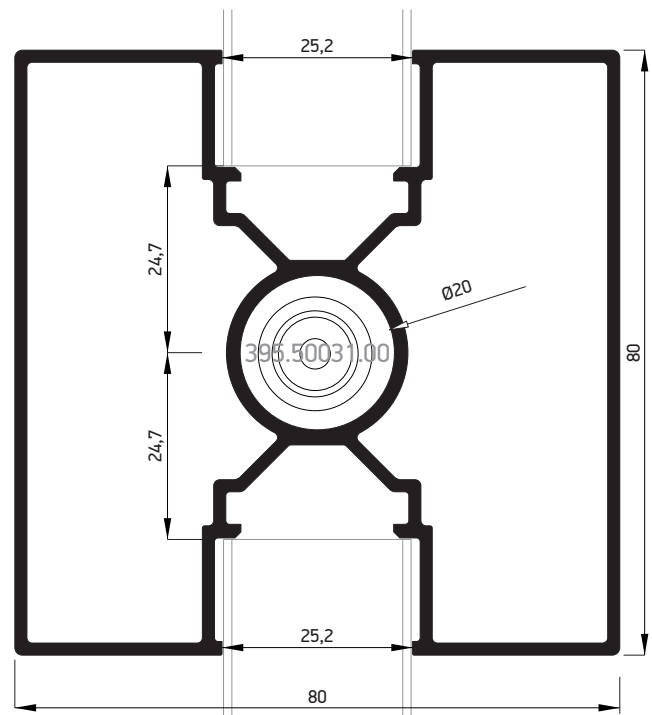
**M8357**

Rod post for LED light top rail  
 Ορθοστάτης για κουπαστή με LED φωτισμό



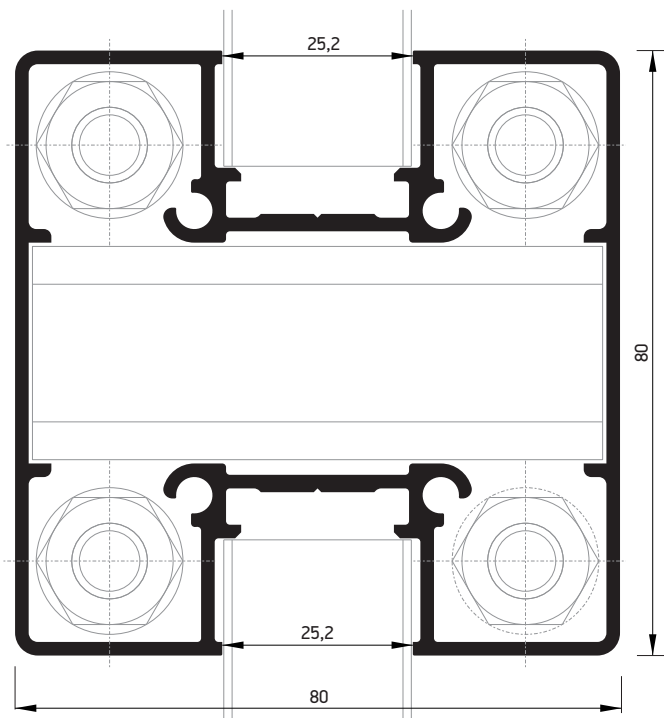
**M8359**

Corner post with rod  
 Γωνιακός ορθοστάτης



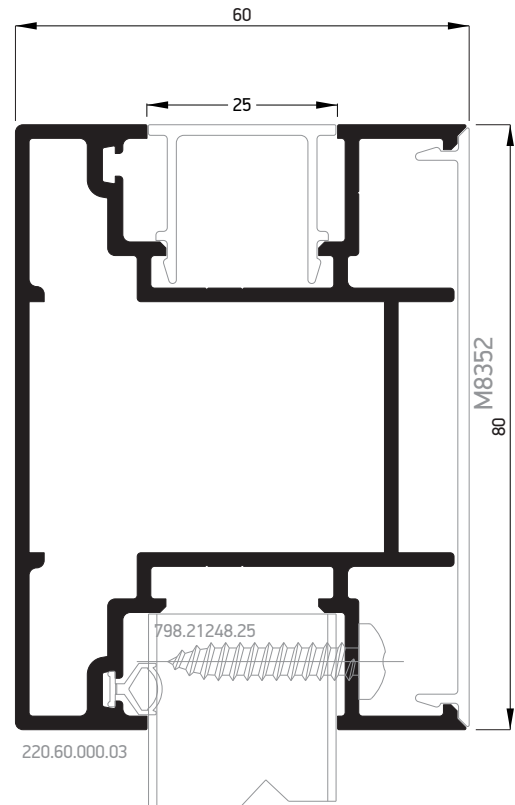
**M8369**

Light Rod Post  
 Ορθοστάτης με πύρο



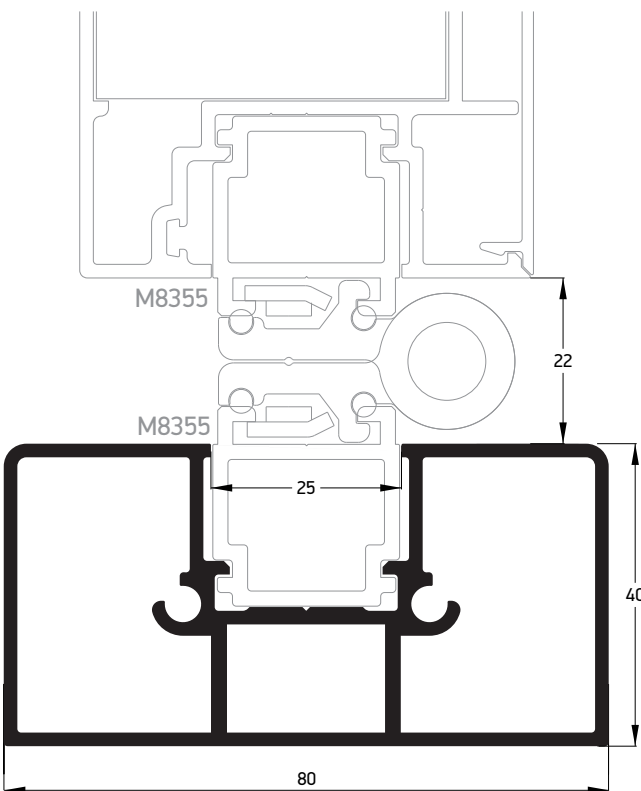
**M8350**

Post with screwed hidden holder  
Ορθοστάτη με βιδωτή βάση υποστήριξης



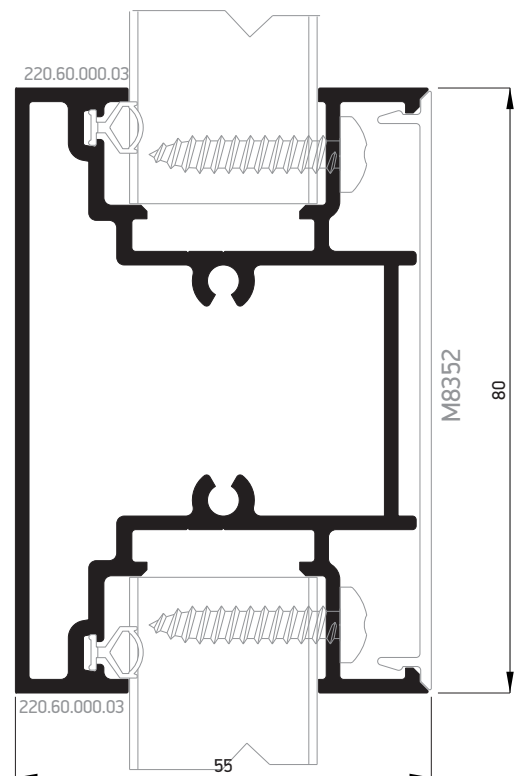
**M8351**

Gate sash  
Φύλλο πόρτας



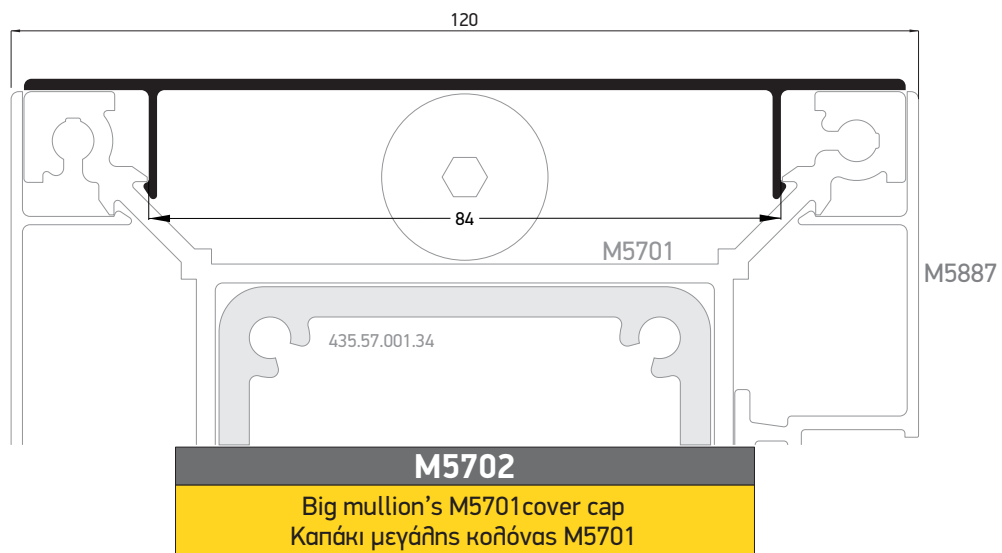
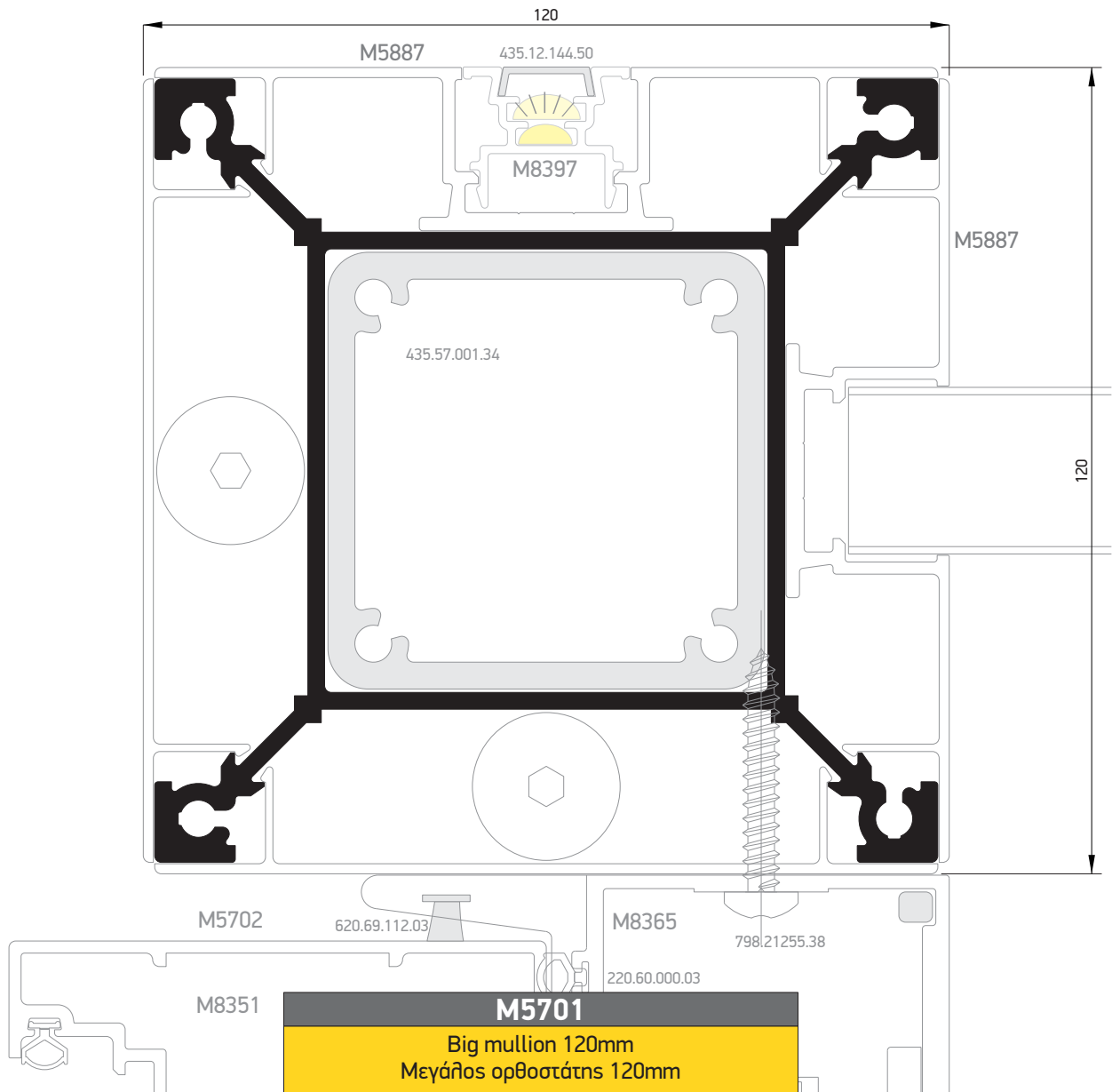
**M8379**

Half size gate post for pillars  
Ορθοστάτης πόρτας για επιτοίχια στήριξη

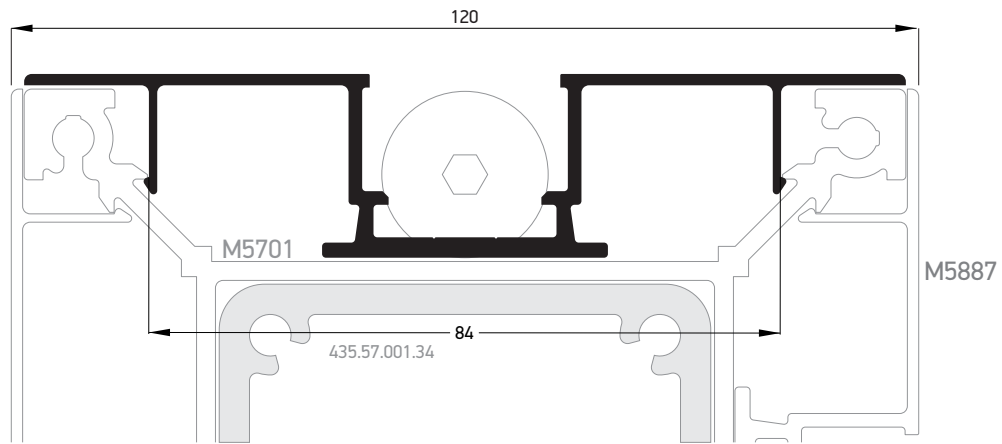


**M8362**

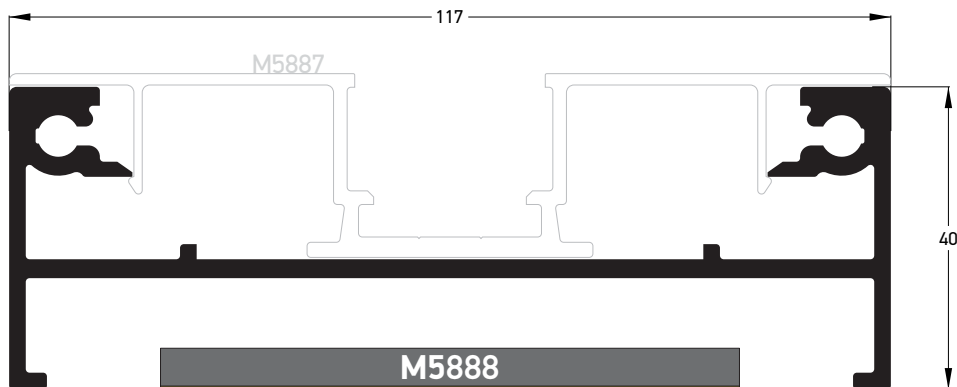
T.profile for gate sash  
Τ.προφίλ τραβέρσα



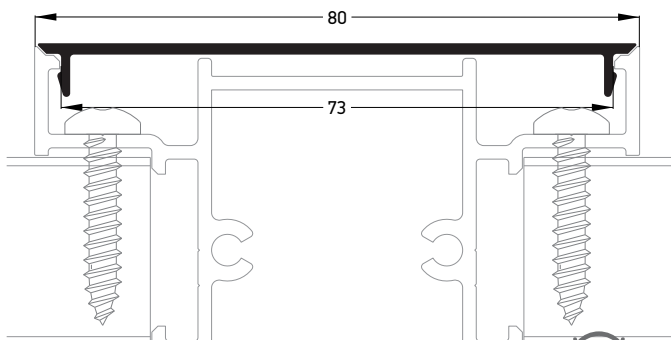




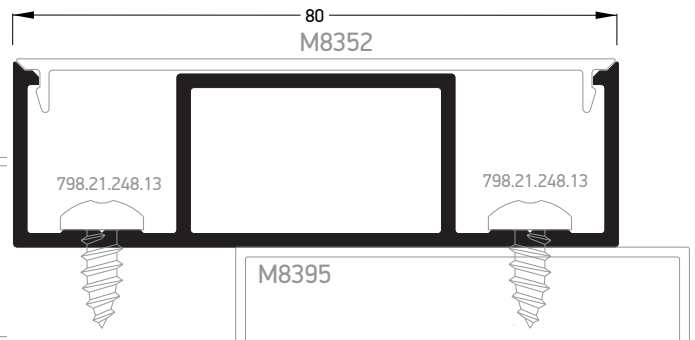
**M5887**  
 Big mullion's adaptor cover for louvers  
 Πλαινό καπάκι με υποδοχή περισίδων μεγάλης κοιλότητας



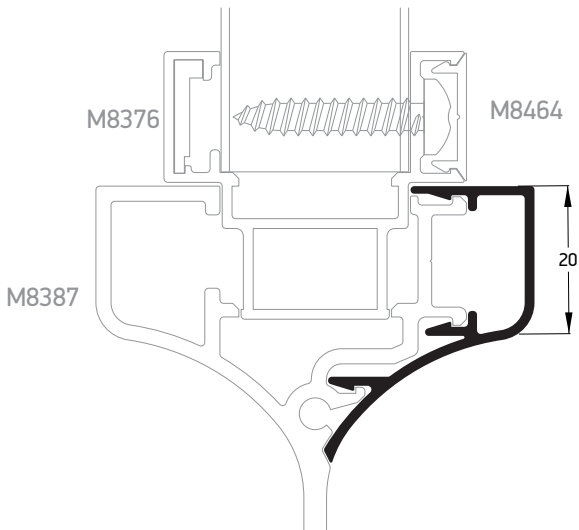
**M5888**  
 120mm half post for mounting on pillars  
 120mm κοιλότητα για τοποθέτηση σε πυλώνα



**M8352**  
 Cover for posts and sash profile  
 Καπάκι κοιλότητας και φύλλου

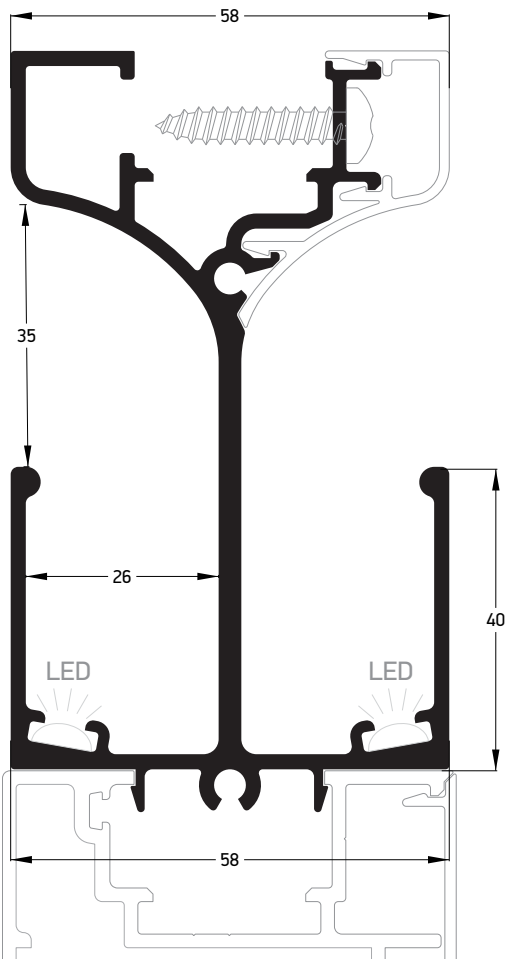


**M8378**  
 Rail for vertical louvers (pickets)  
 Τραβέρσα κάθετων περισίδων



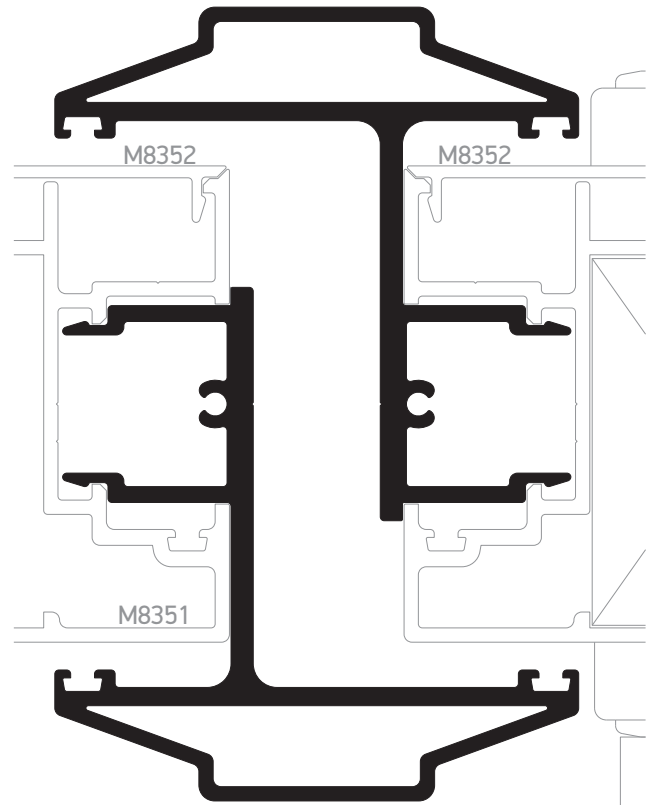
**M8388**

Concealed handle cover .  
Καπάκι ενσωματωμένης χειρολαβής



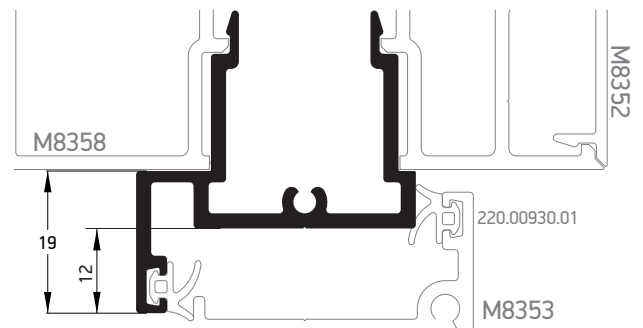
**M8387**

Minimal concealed handle with LED  
Μinimal χειρολαβή με κρυφό LED φωτισμό



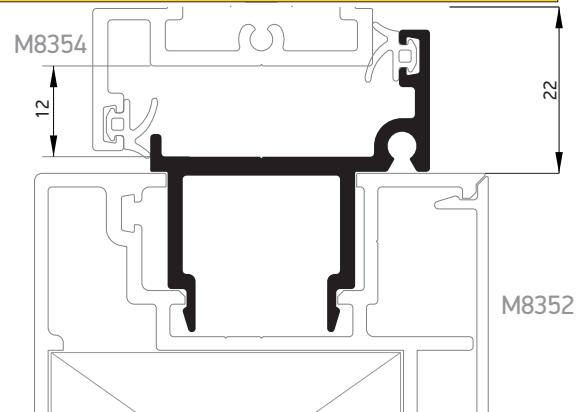
**M8398**

Adjoining profile for gate's vent  
Διακοσμητικό μπινί ανοιγόμενης πόρτας



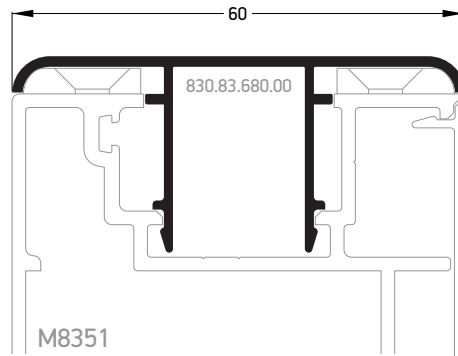
**M8354**

Insert profile for striker  
Μπινί πόρτας αντικρίσματος



**M8353**

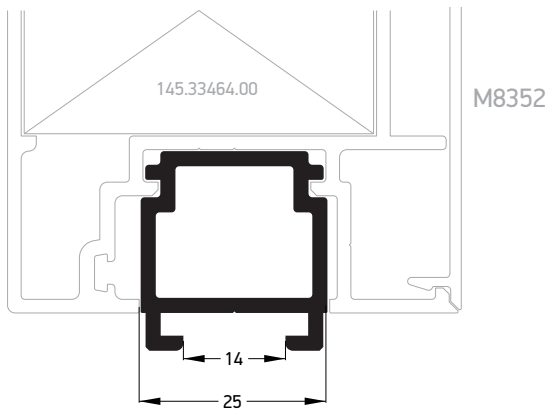
Insert profile for lock  
Μπινί πόρτας κλειδαριάς



M8351

**M8368**

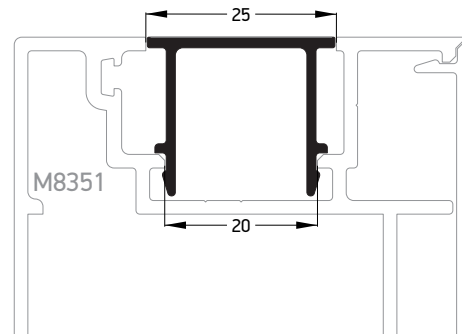
Gate protective handrail  
Προστατευτικό προφίλ αυλόπορτας



M8352

**M8355**

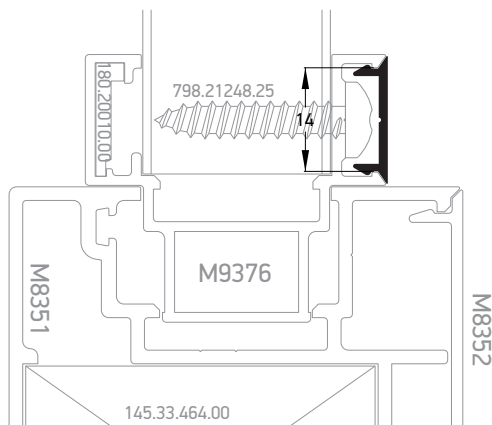
Insert profile for hinges  
Πρόσθετο προφίλ μεντεσέ



M8351

**M8356**

Mullion Cover  
Καπάκι Κοιλόνας

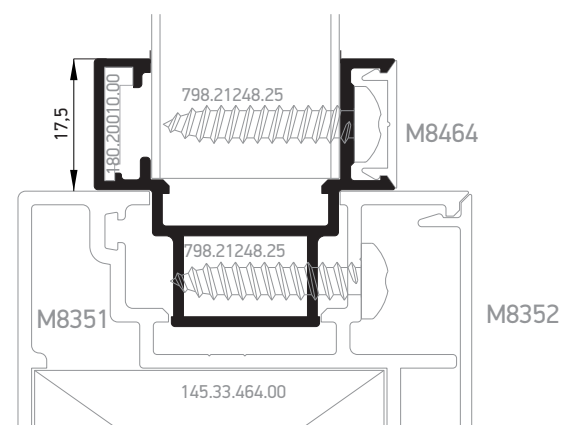


M8351

**M8464**

Additional cover cap  
Πρόσθετο καπάκι

M8352

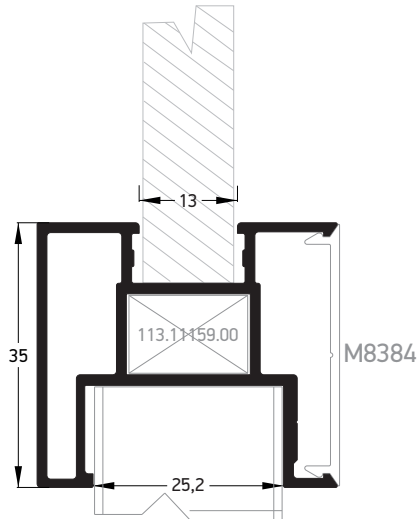


M8351

**M8376**

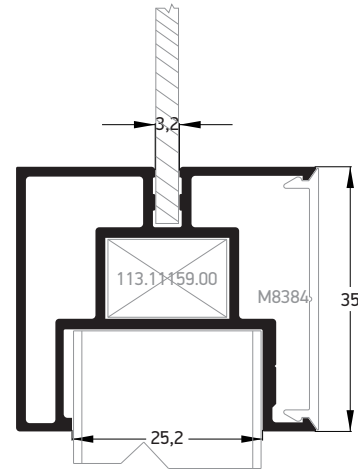
Decorative frame profile .  
Διακοσμητικό προφίλ (κορνίζα)

M8352



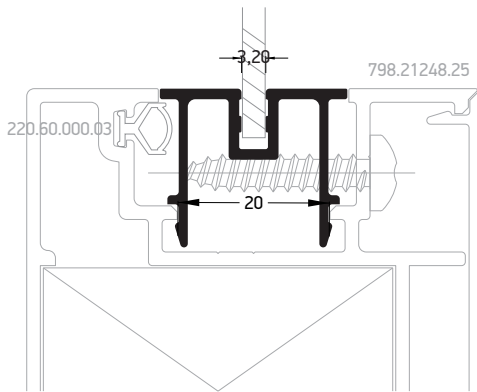
**M8385**

T-profile for louver switching (13mm)  
Ταυ εναλλαγής περσίδων(13mm)



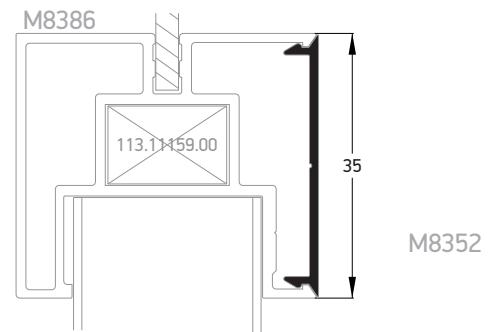
**M8386**

Decorative U-Channel frame profile for sheet metal  
Διακοσμητική κορνίζα για λαμαρίνα



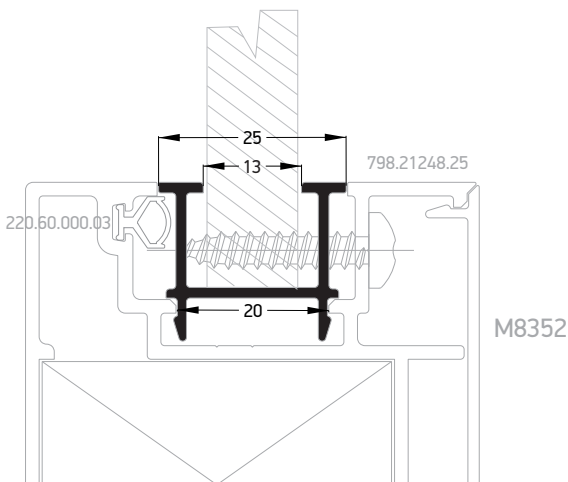
**M8374**

Insert U-Channel profile for sheet metal  
Πρόσθετο προφίλ για τοποθέτηση λαμαρίνας



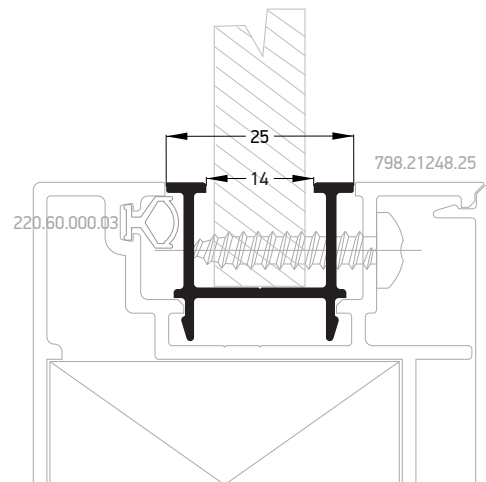
**M8384**

End cap for decorative U-Channel frame profile  
Καπάκι για διακοσμητική κορνίζα



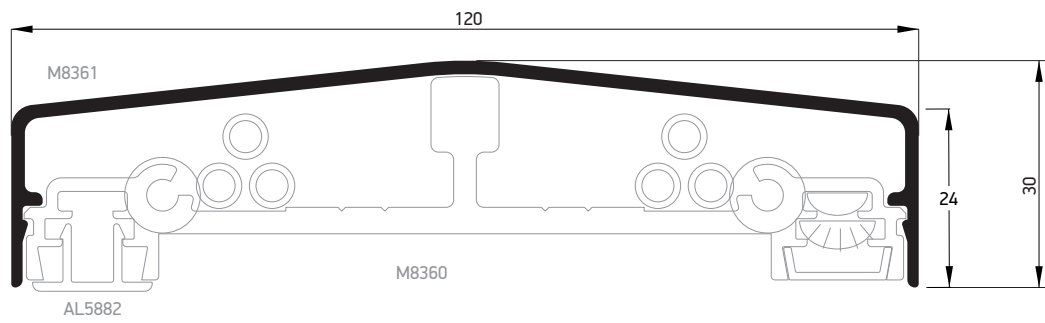
**M8375**

Insert U-Channel 13mm adaptor for glass and wood  
Πρόσθετο προφίλ 13mm για τοποθέτηση τζαμιού και wood

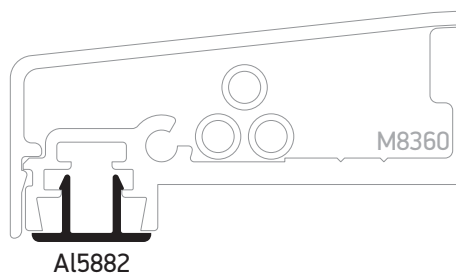


**M8409**

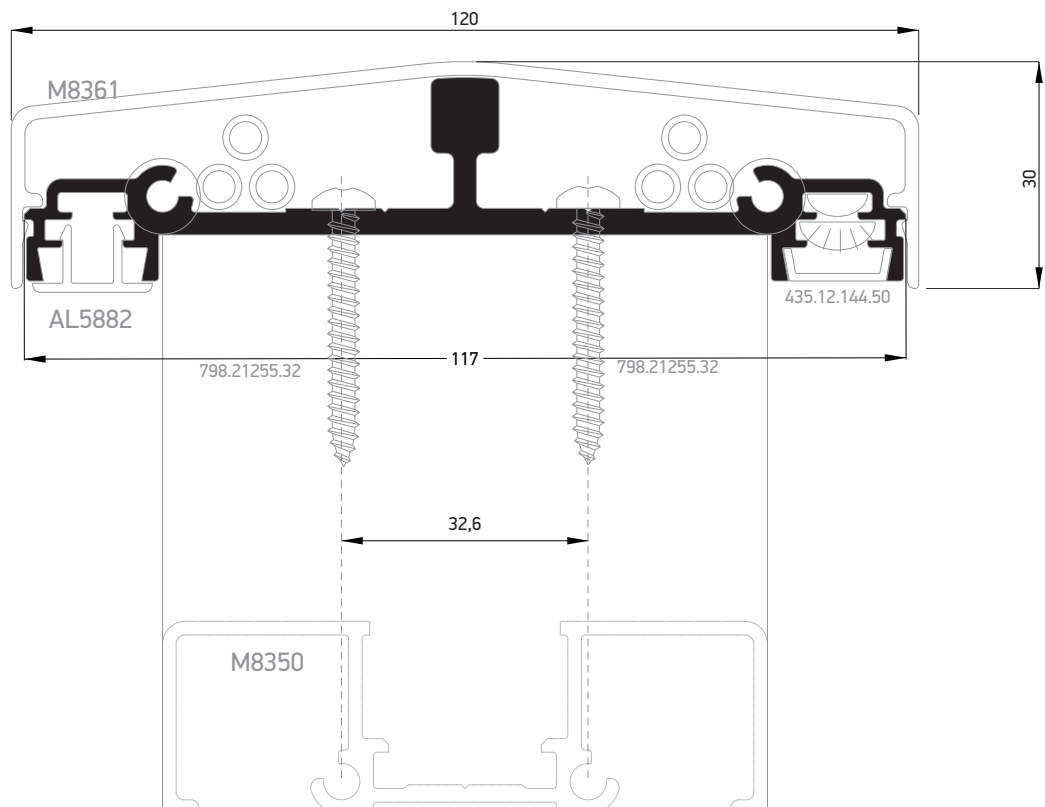
Insert U-Channel for 14mm pickets  
Πρόσθετο προφίλ για 14mm περσίδες



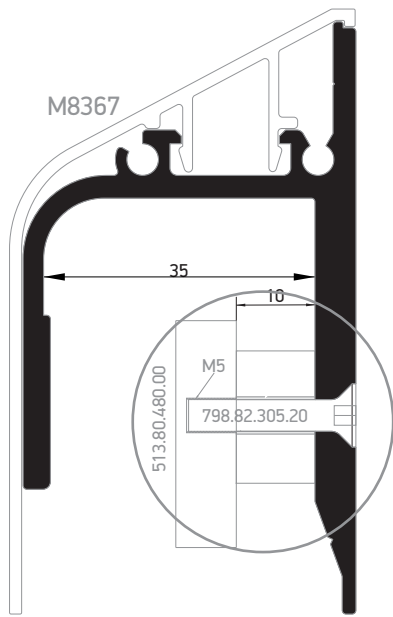
**M8361**  
 Top handrail with LED (top part).  
 Κουπαστή φράχτη με LED (επάνω μέρος)



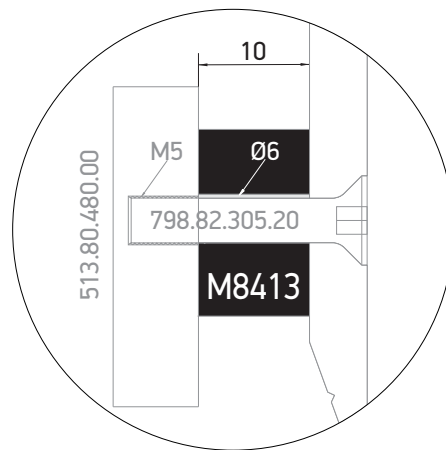
**AL5882**  
 Cover profile for LED strip groove  
 Πρόσθετο καπάκι για κάλυψη την υποδοχή LED



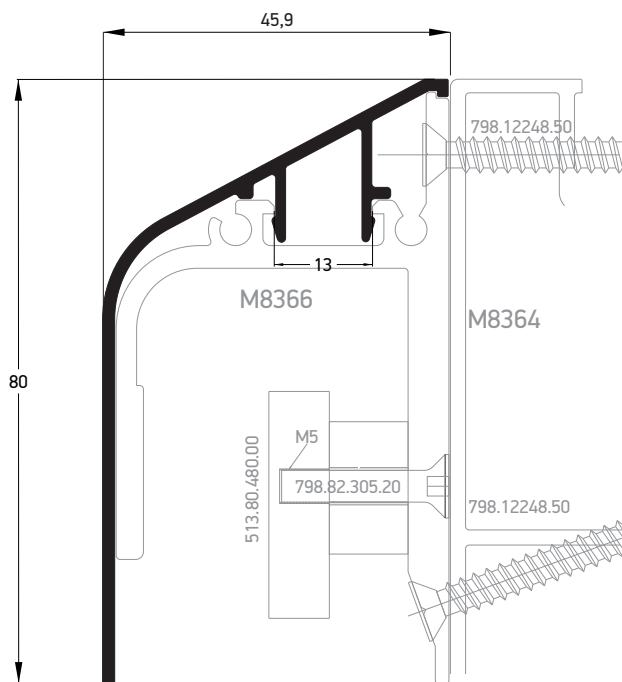
**M8360**  
 Top handrail stiffener with LED lights  
 Πλάκα πίεσης κουπαστής με LED φωτισμό



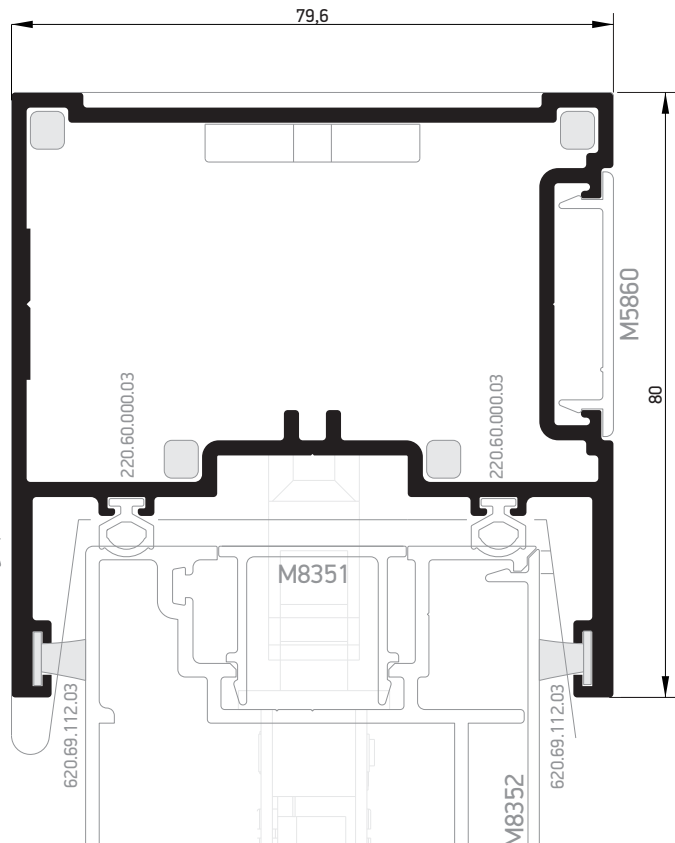
**M8366**  
Kick plate for rollers support and rack-pinion  
Προστατευτικό προφίλ μηχανισμού πλ.μοτέρ συρόμενης πορτας



**M8413**  
Motor rail spacer  
Αποστάτης ράγας μοτέρ



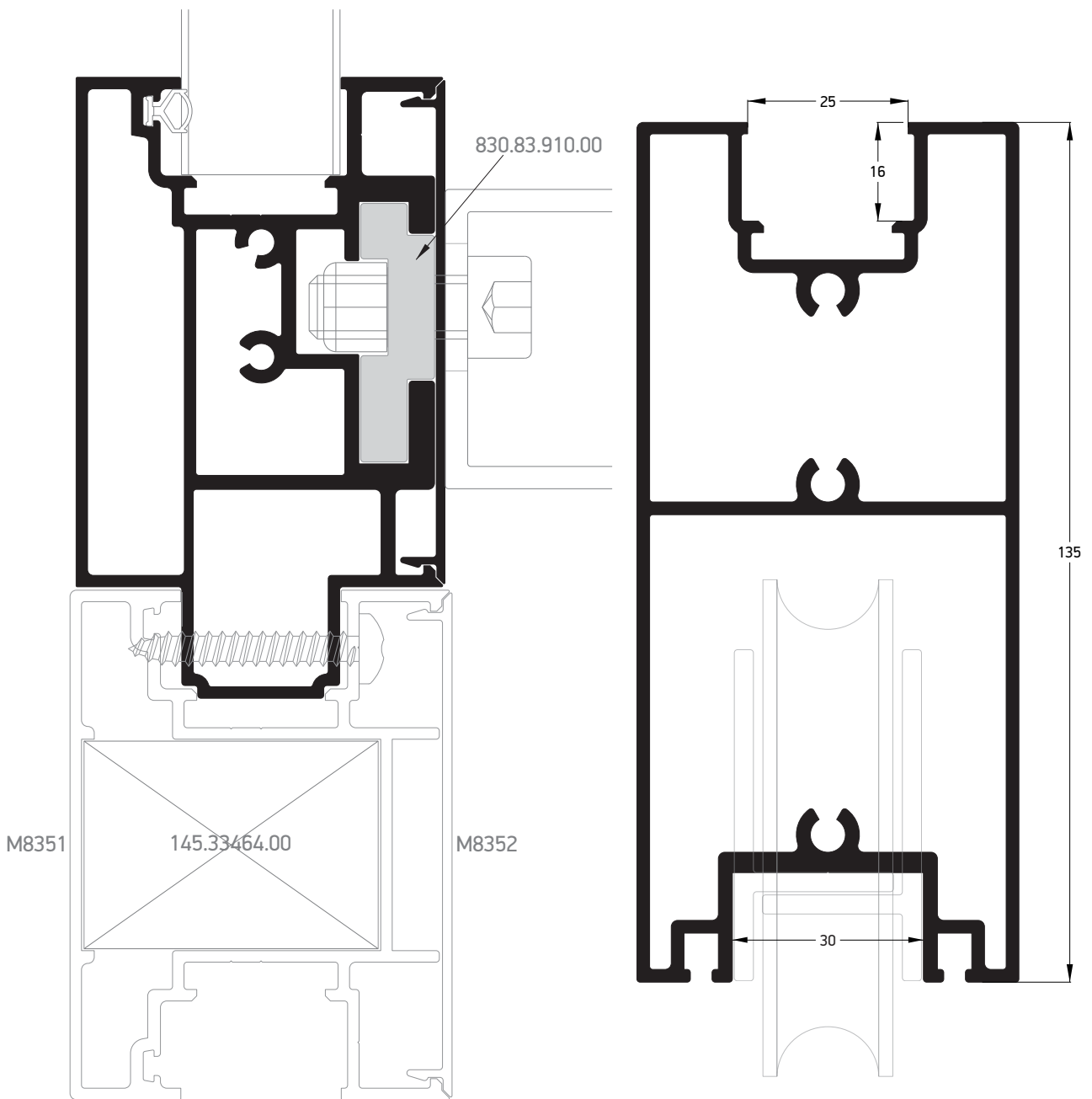
**M8367**  
Decorative profile  
Προφίλ διακοσμητικό



**M8365**  
Sliding gate locking profile  
Μπνίι αντκρίσματος συρόμενης αυλόπορτας



**M5860**  
M8365 cover cap  
Καπάκι για το M8365

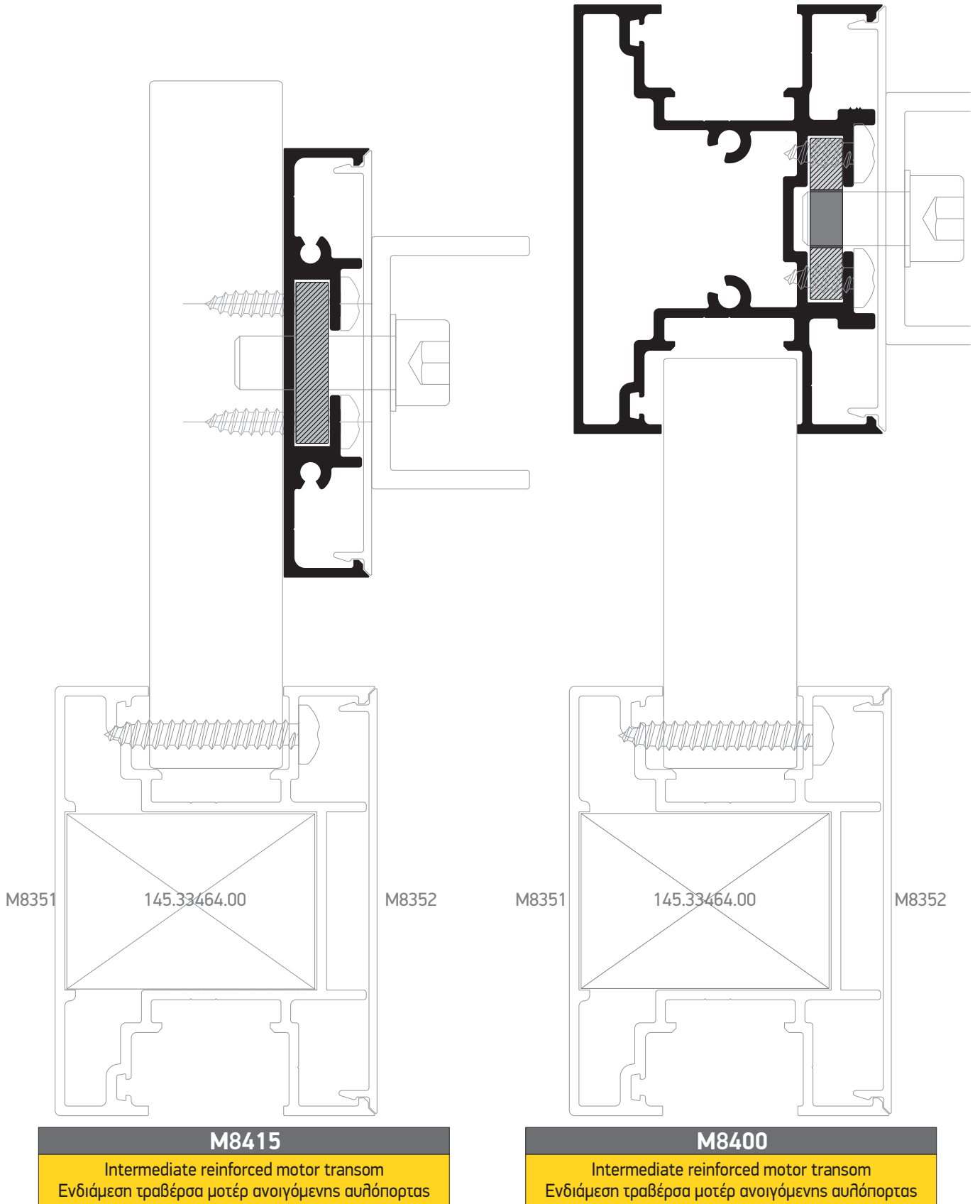


**M8391**

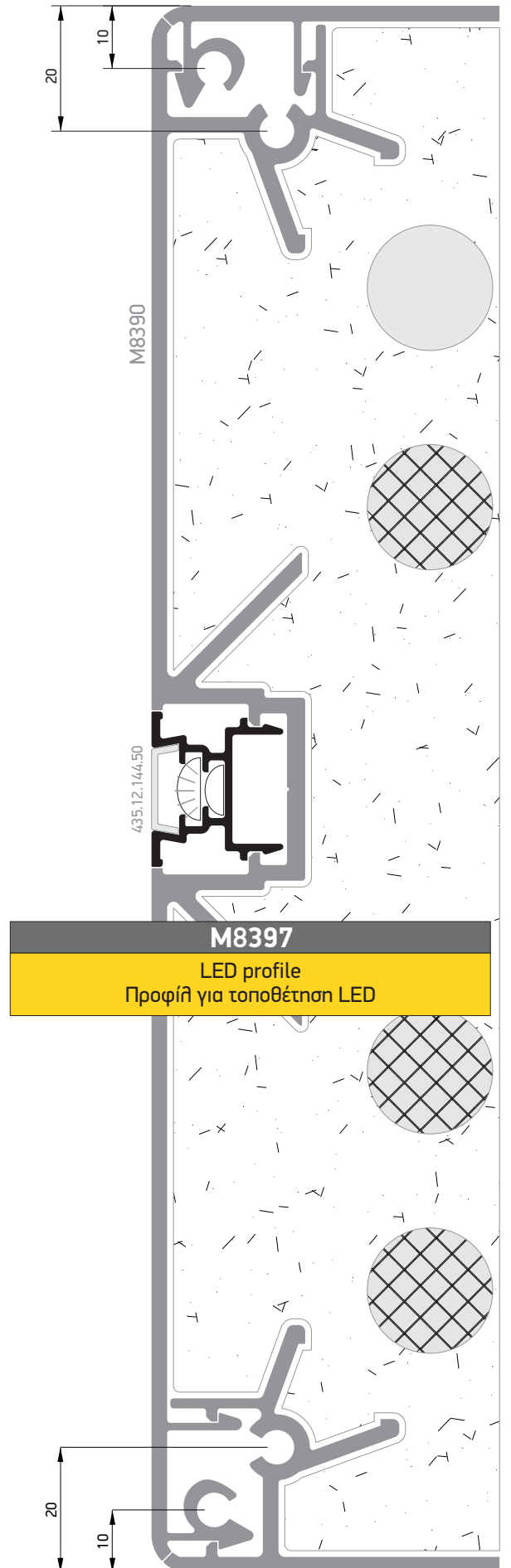
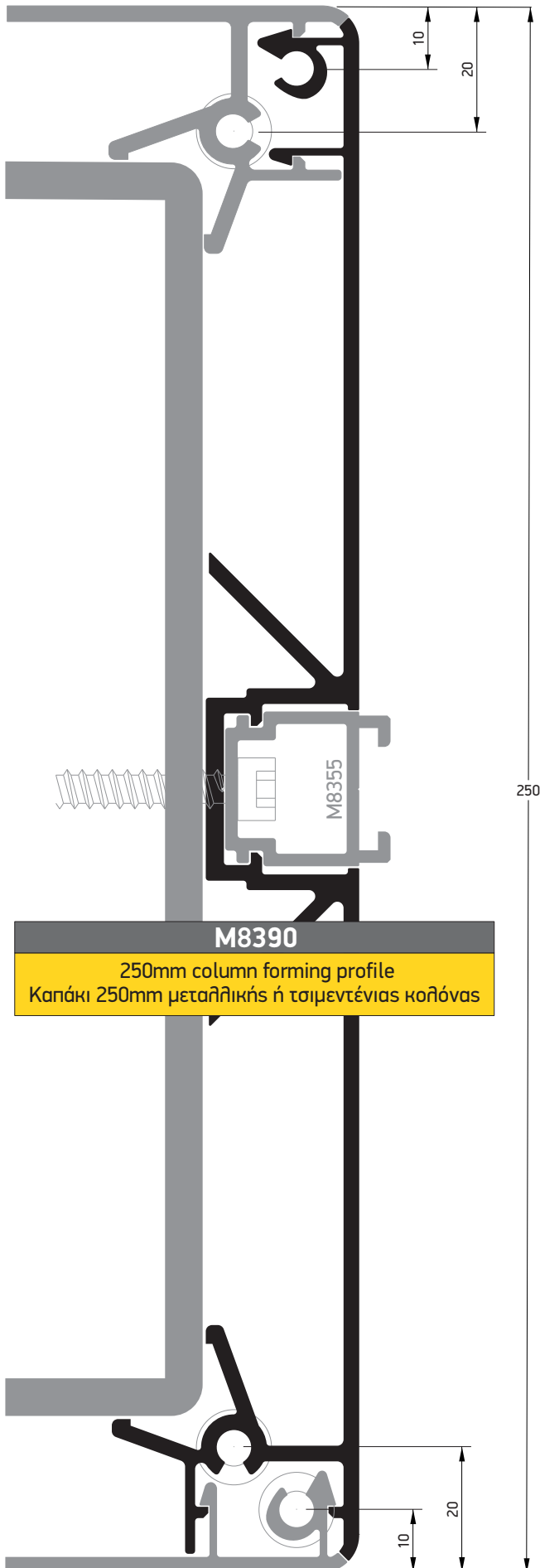
Bottom reinforced motor transom  
Κάτω τραβέρσα μοτέρ ανοιγόμενης αυλήπορτας

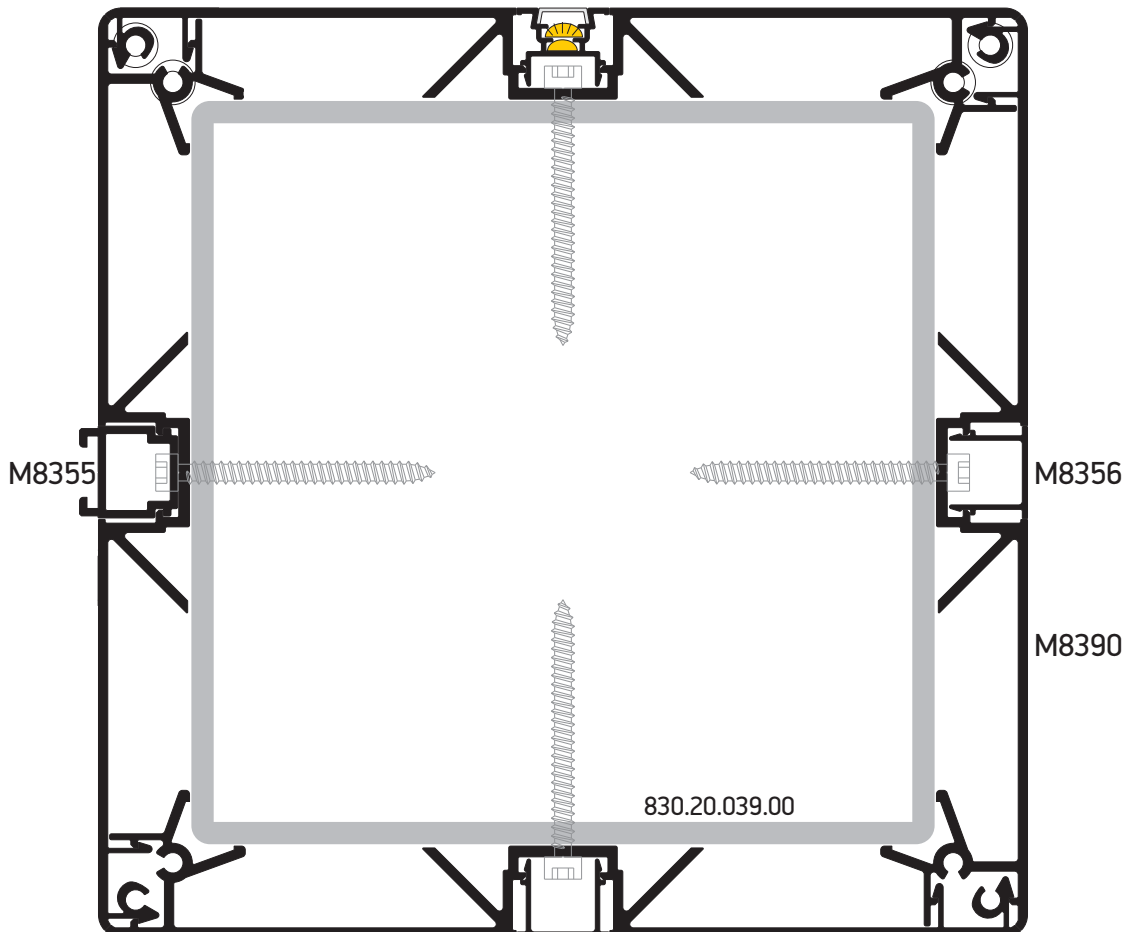
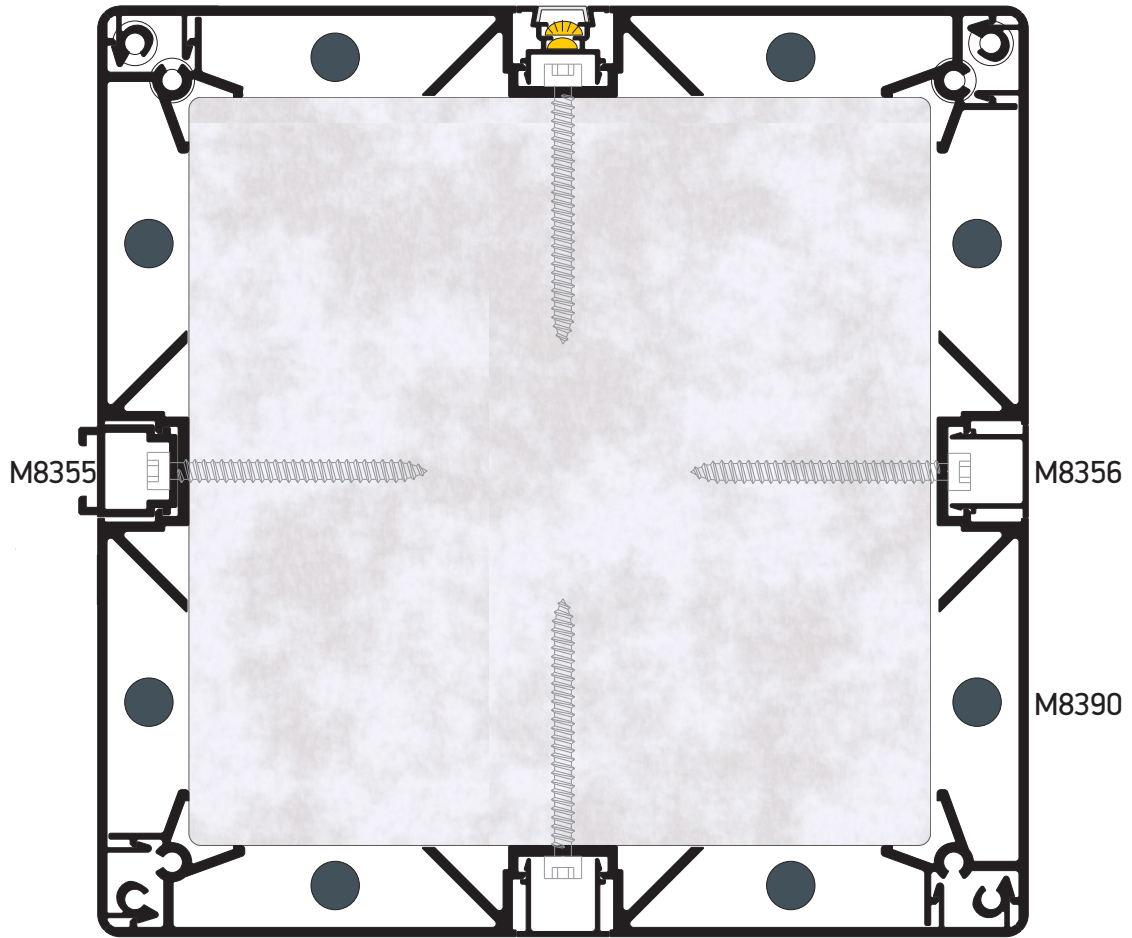
**M8364**

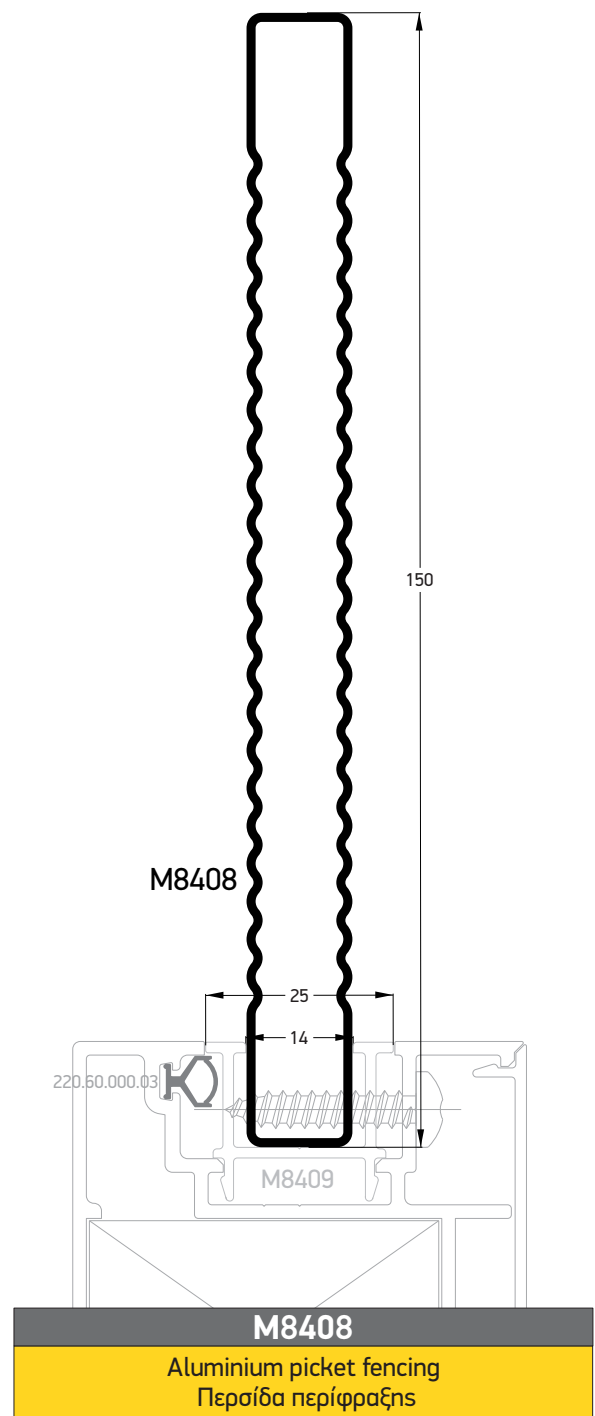
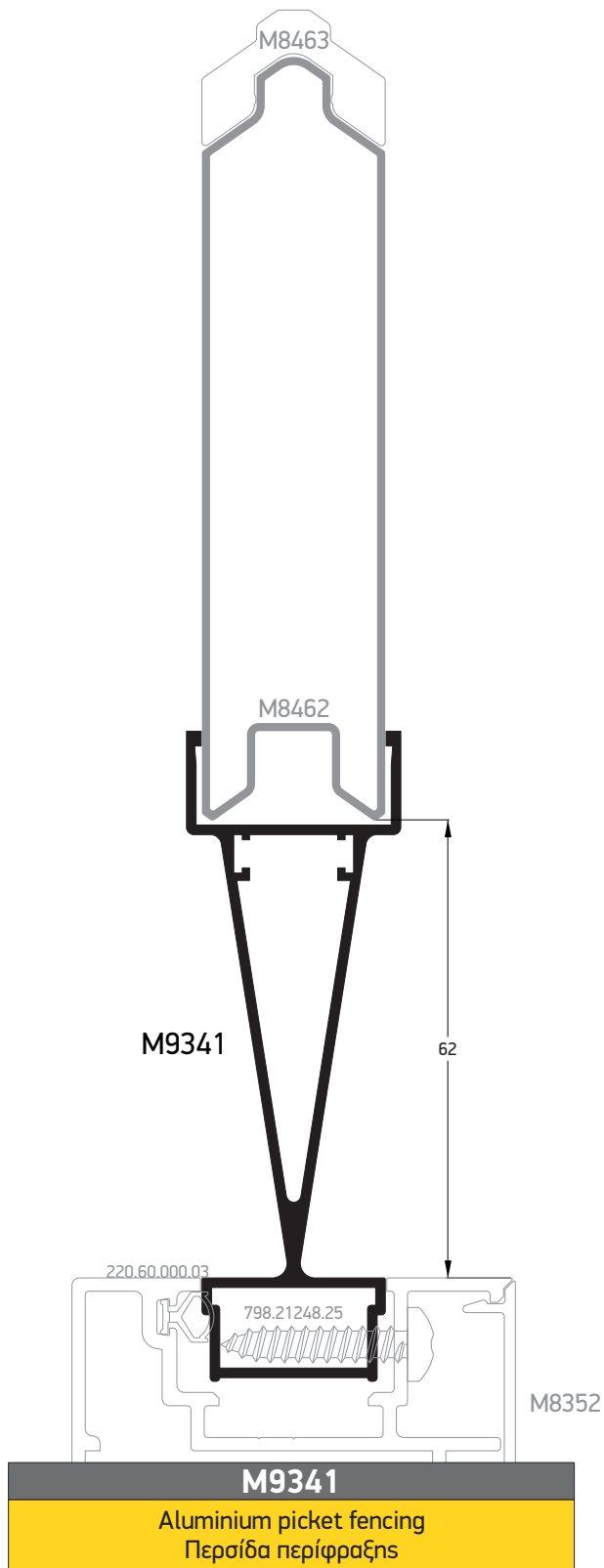
Sliding rail profile for sliding gate  
Ταμιάς συρόμενης πόρτας

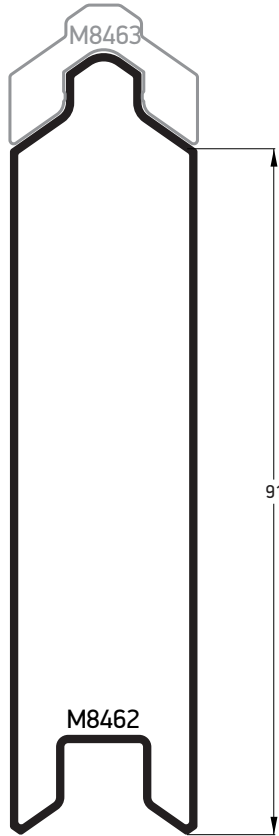






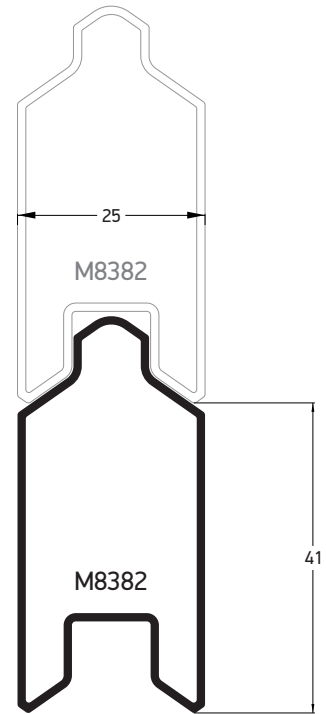






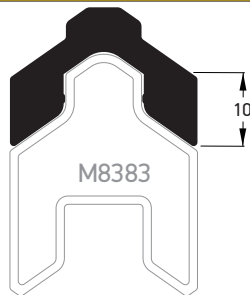
**M8462**

Overlap aluminium picket  
Overlap περσίδα αλουμινίου



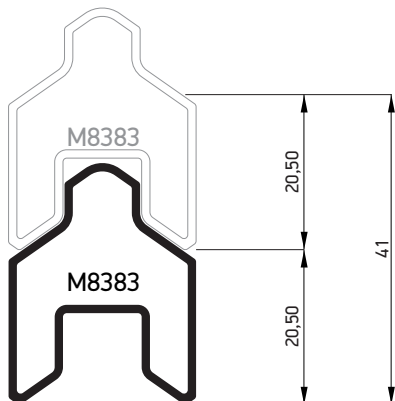
**M8382**

Overlap aluminium picket  
Overlap περσίδα αλουμινίου



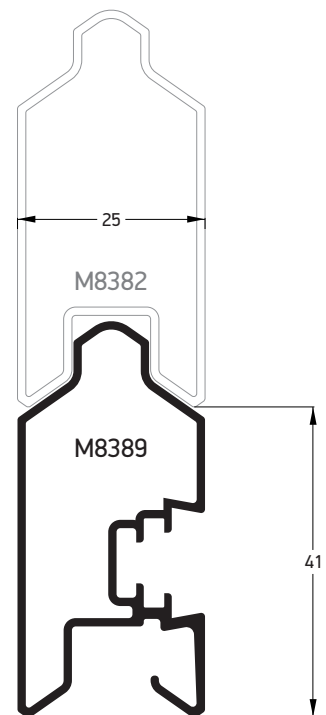
**M8463**

Overlap aluminium picket  
Overlap περσίδα αλουμινίου



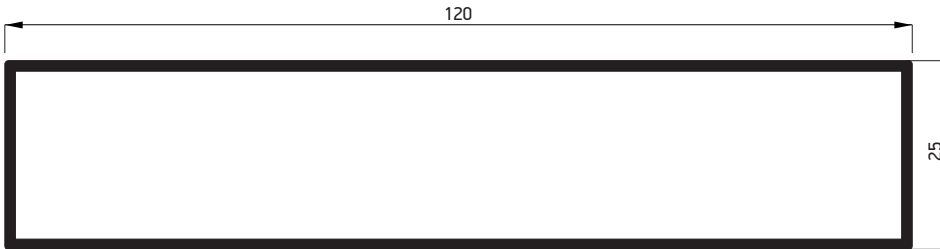
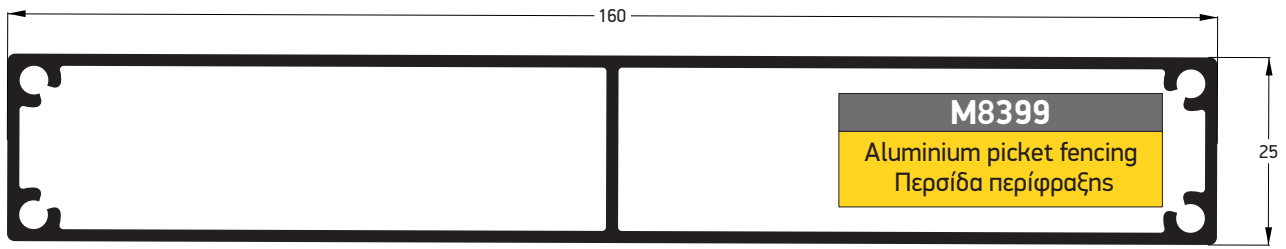
**M8383**

Overlap aluminium picket  
Περσίδα περίφραξης

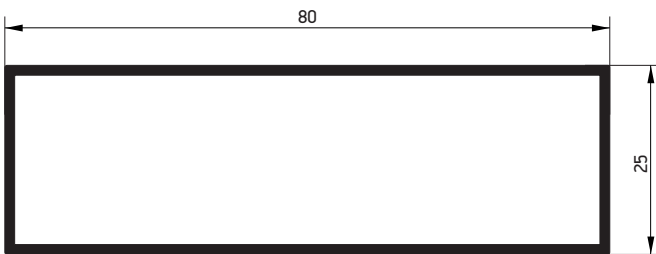


**M8389**

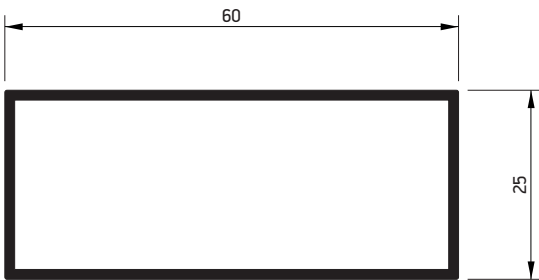
Overlap aluminium picket  
Overlap περσίδα αλουμινίου



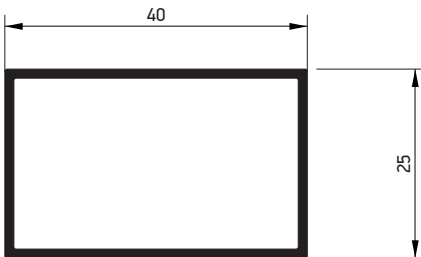
**M8370**  
Aluminium picket fencing  
Περίσφιδα περιφραξης



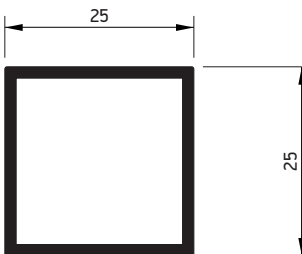
**M8380**  
Aluminium picket fencing  
Περίσφιδα περιφραξης



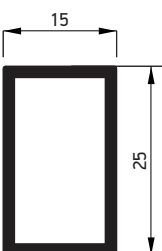
**M8381**  
Aluminium picket fencing  
Περίσφιδα περιφραξης



**M8394**  
Aluminium picket fencing  
Περίσφιδα περιφραξης

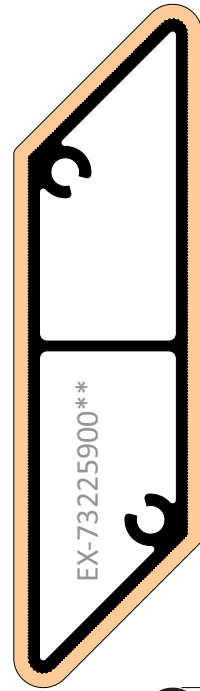
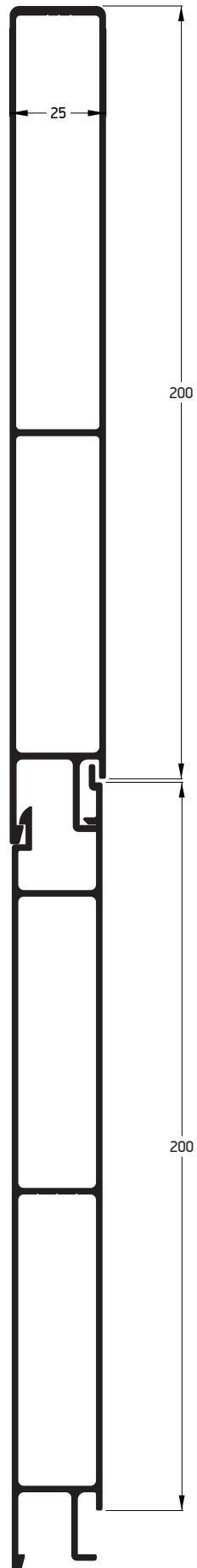


**M8393**  
Aluminium picket fencing  
Περίσφιδα περιφραξης

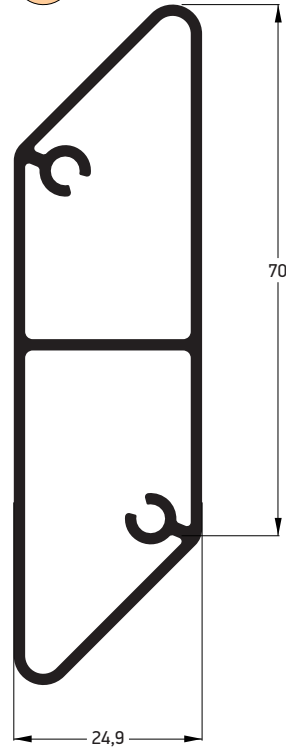


**M8392**  
Aluminium picket fencing  
Περίσφιδα περιφραξης

**M8406**  
Aluminium picket fencing  
Περσίδα περίφραξης



**M8407**  
Aluminium picket fencing  
Περσίδα περίφραξης



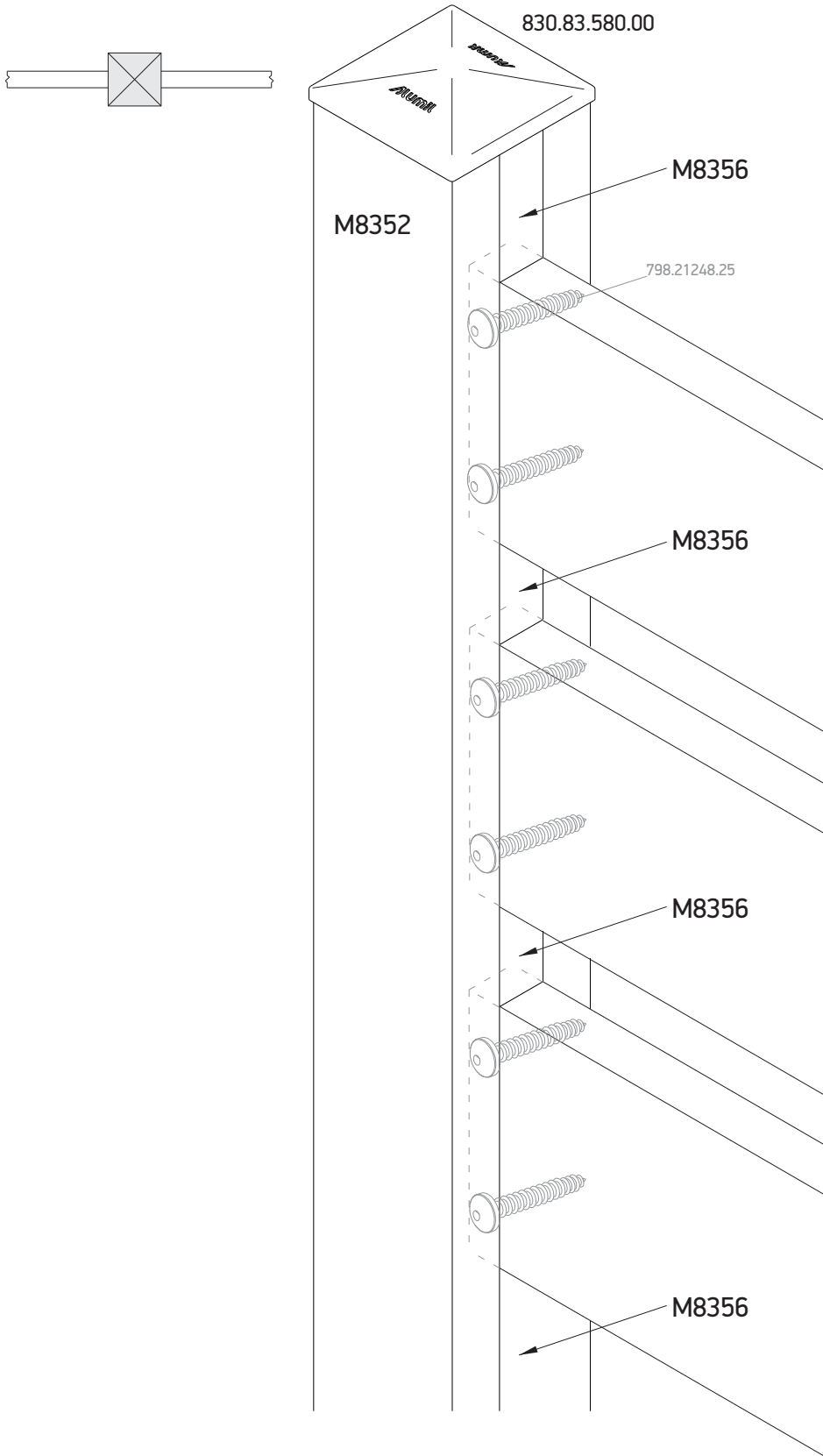
**M8414**  
Aluminium picket fencing  
Περσίδα περίφραξης



Sections  
Τομές

Post  
Κοιτόνες

Post 80mm  
Κοιτόνα 80mm

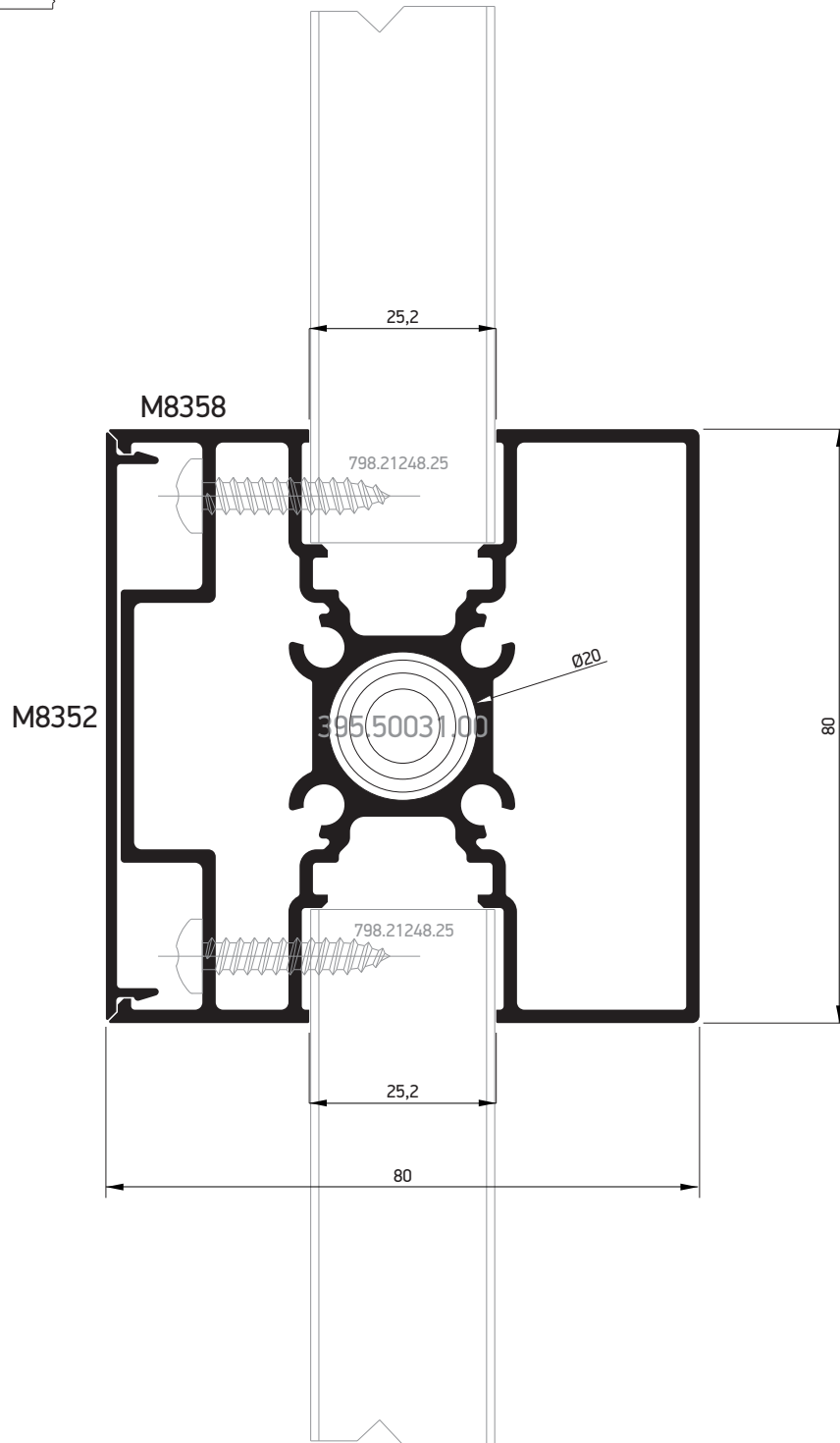
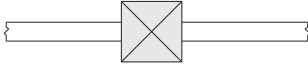






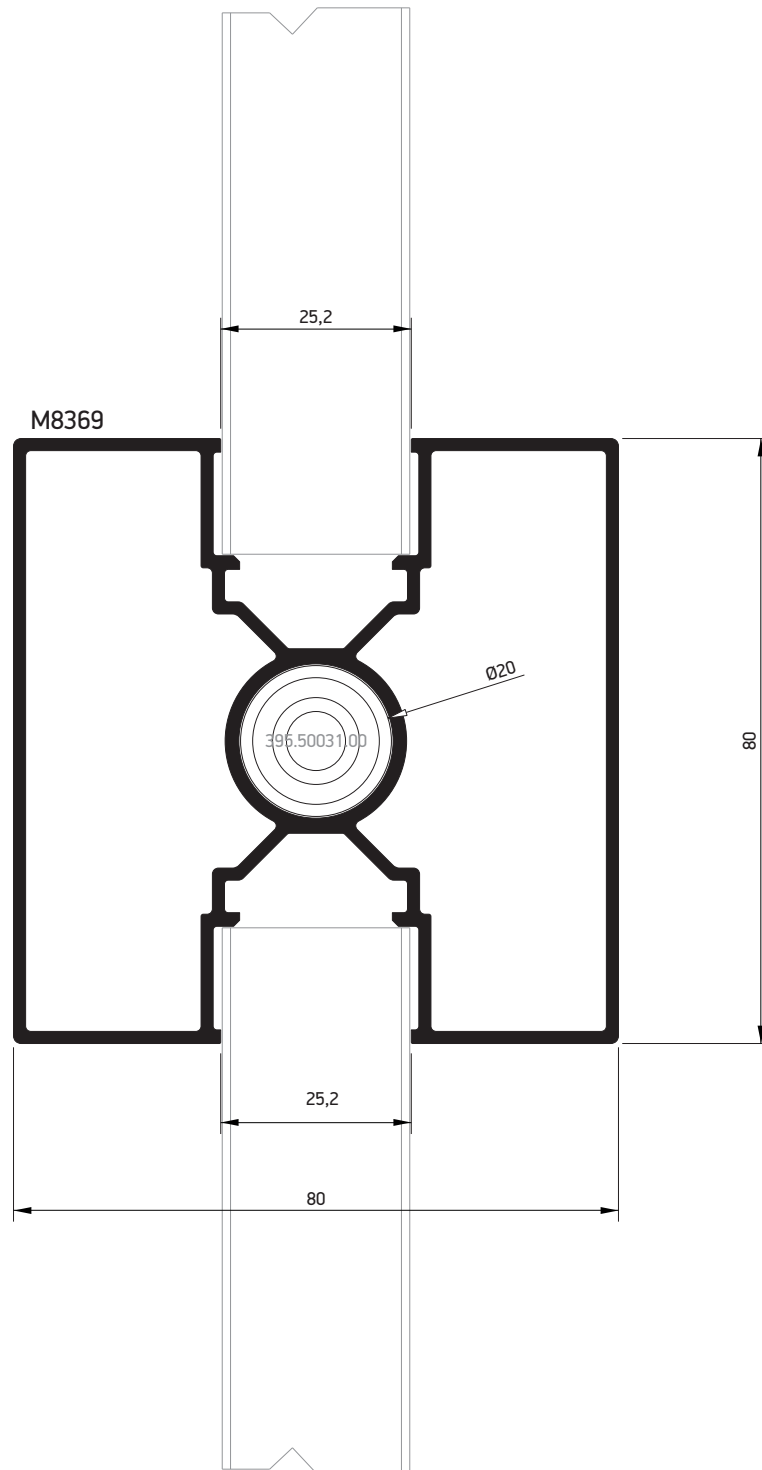
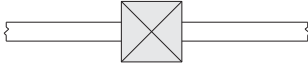
Post  
Κοιλόνες

Post 80mm for fence handrail  
Κοιλόνια 80mm για κουπαστή περίφραξης



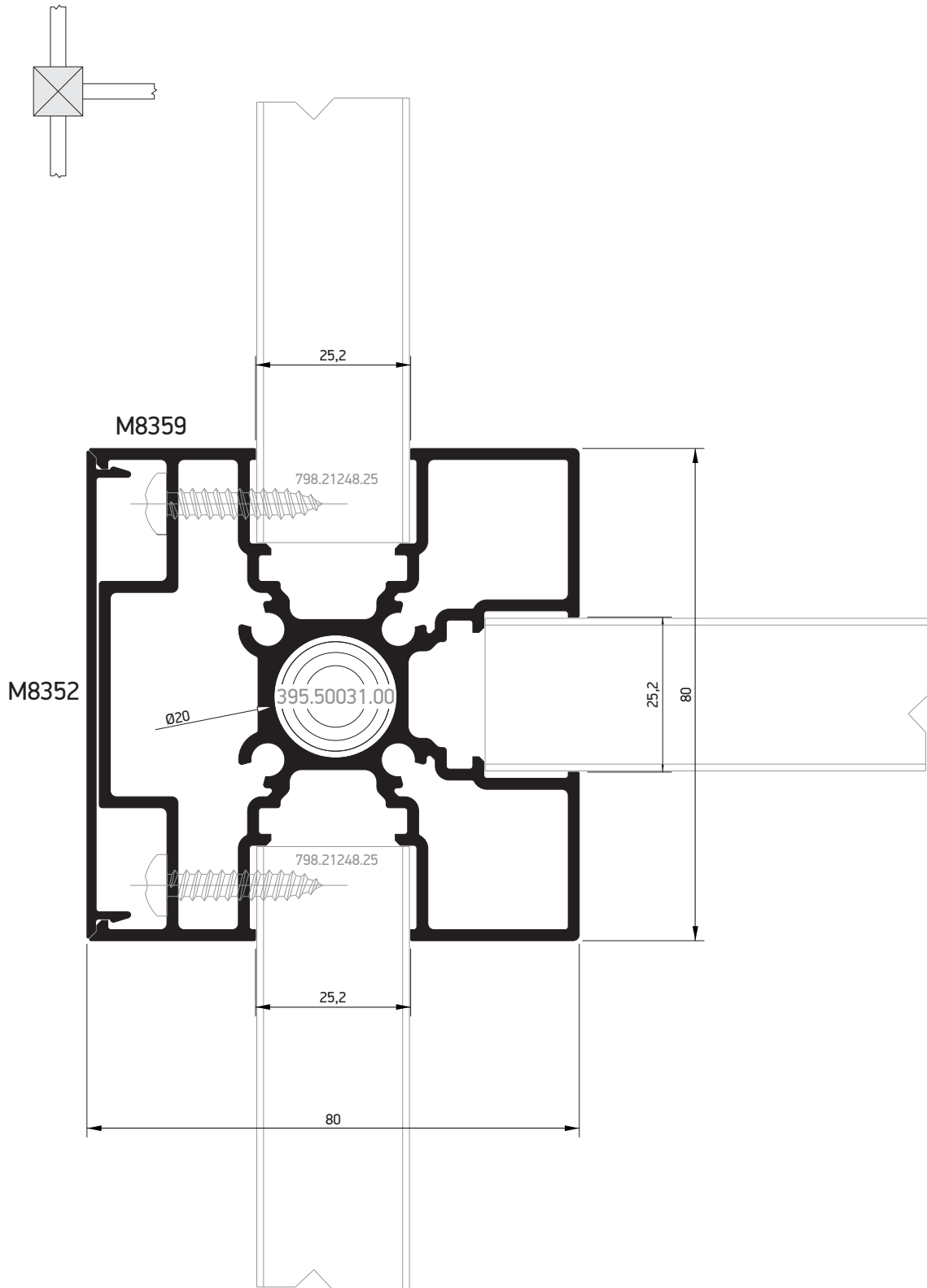
Post  
Καθόνες

Post 80mm with steel spindle  
Καθόνα 80mm με πύλο



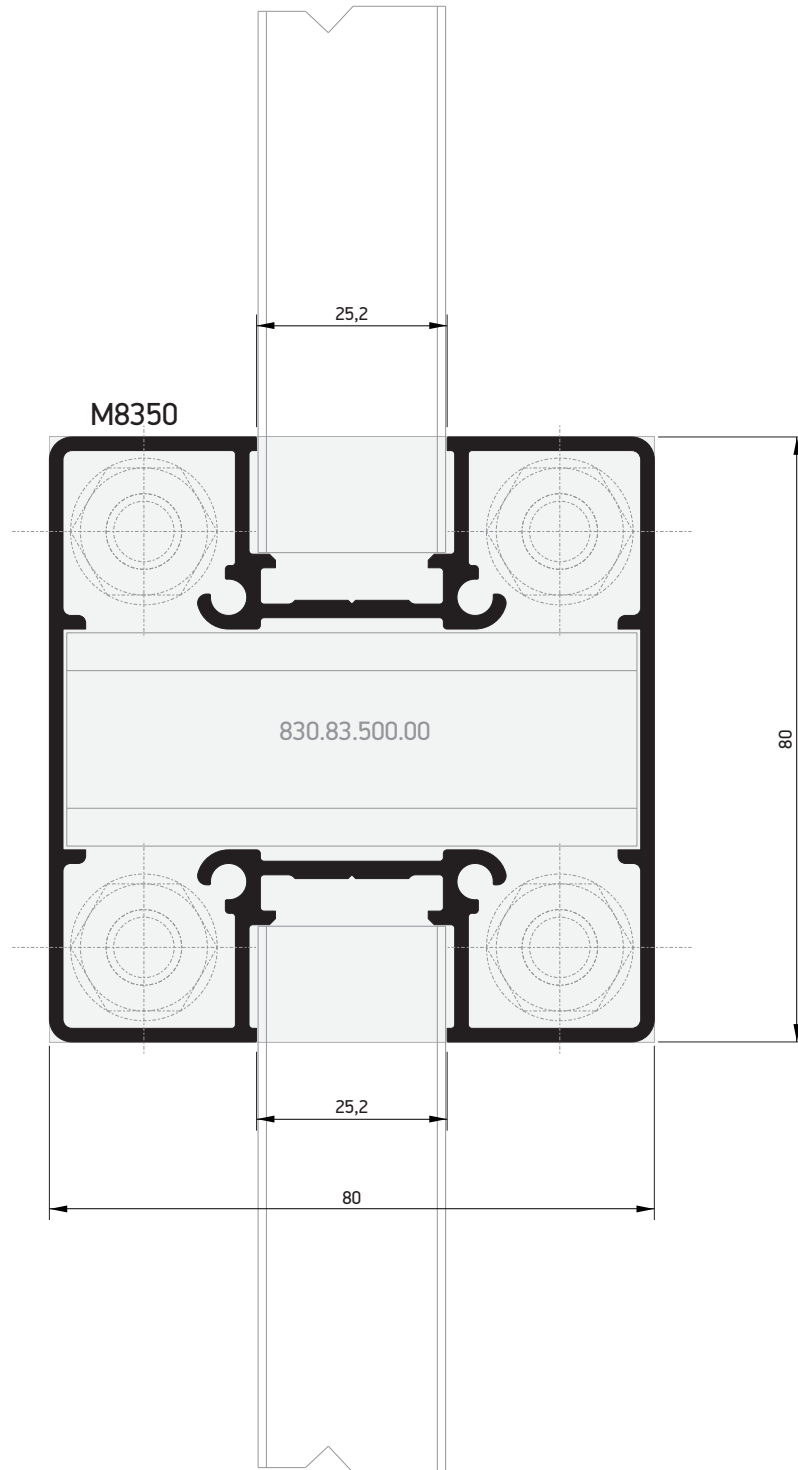
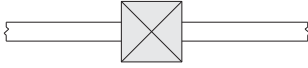
Post  
Κοιτόνες

Corner post 80mm with steel spindle and cover profile  
Γωνιακή κοίλινα 80mm με πύρο και καπάκι



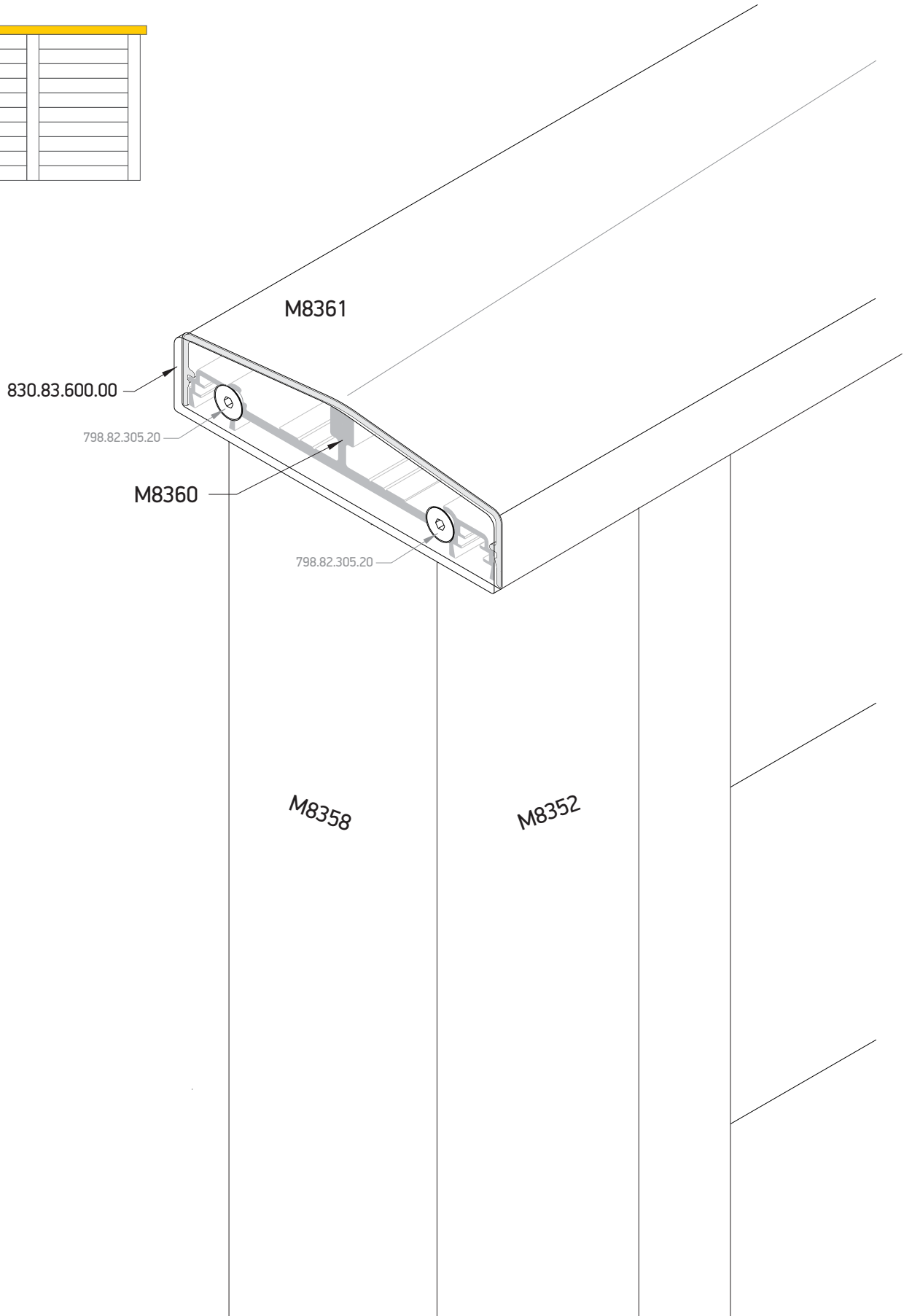
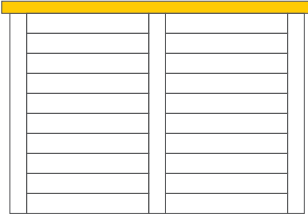
Post  
Κοιλόνες

Post 80mm with aluminium anchor  
Κοιλόνα 80mm με βάση αλουμινίου



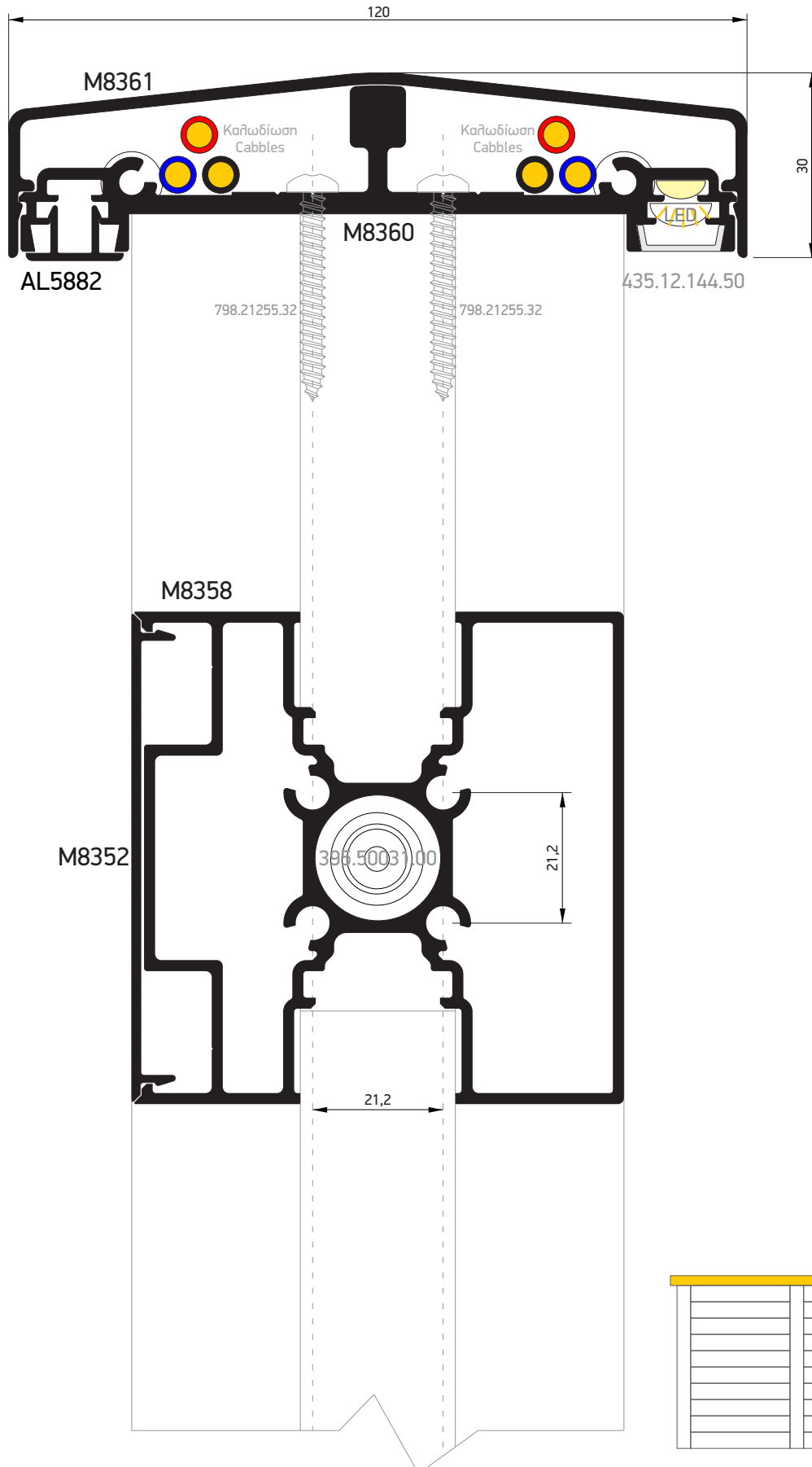
Post  
Κοιτόνες

M8357 Post 80mm with Top rail LED  
M8358 Κοιτόνα 80mm με φωτιζόμενη LED κουπαστή



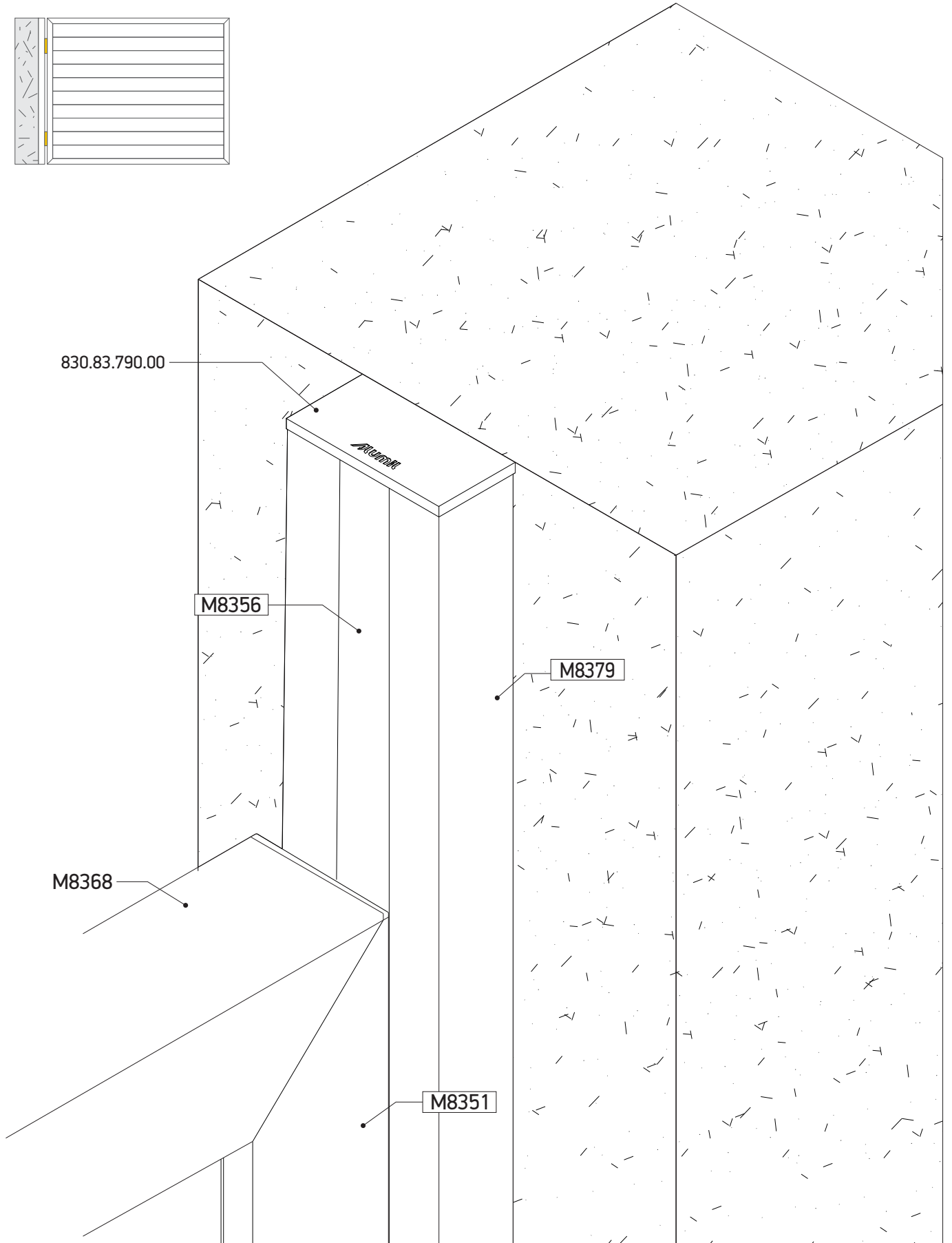
Post  
Καθόνες

M8357 Post 80mm with Top rail LED  
M8358 Καθόνα 80mm με φωτιζόμενη LED κουπαστή



Post  
Κολόνες

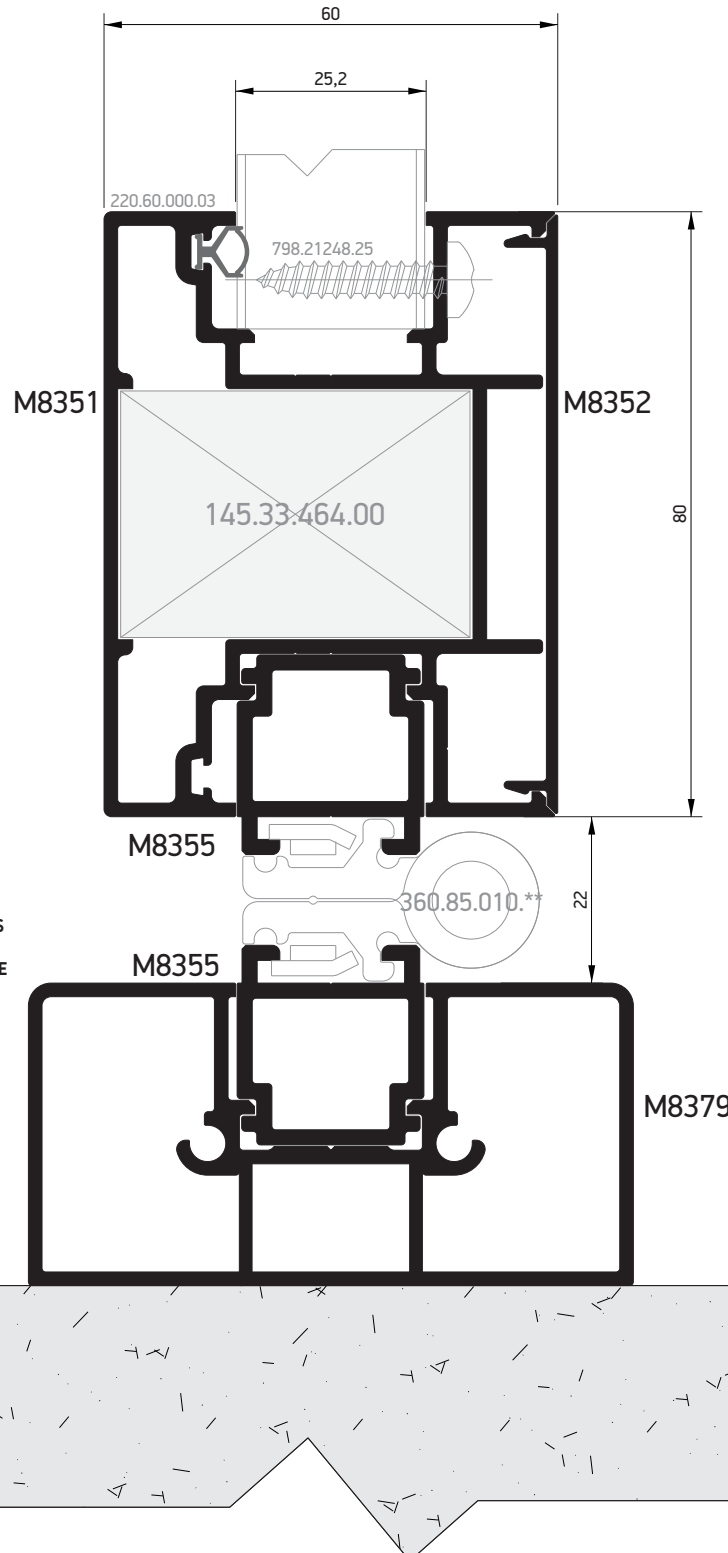
Hinged gate wall mounted with half post 80mm  
Επιτοίχια εγκατάσταση μονόφυλλης αυλόπορτας με μισή κολόνα 80mm





Post  
Κολόνες

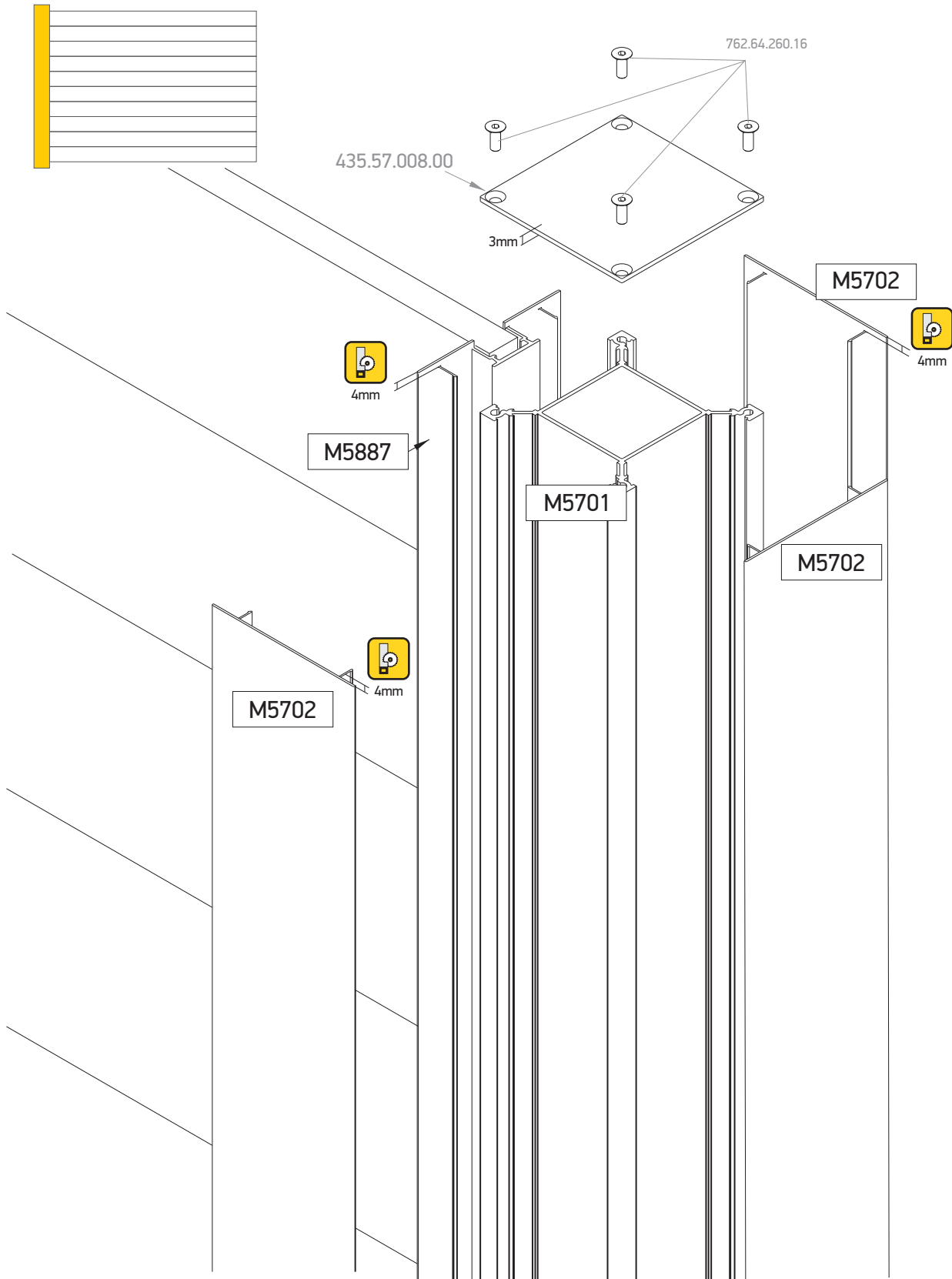
Hinged gate wall mounted with half post 80mm  
Επιτοίχια εγκατάσταση μονόφυλλης αυλόπορτας με μισή κολόνα 80mm



KEEP YOUR HANDS  
AND FEET  
CLEAR OF THE GATE

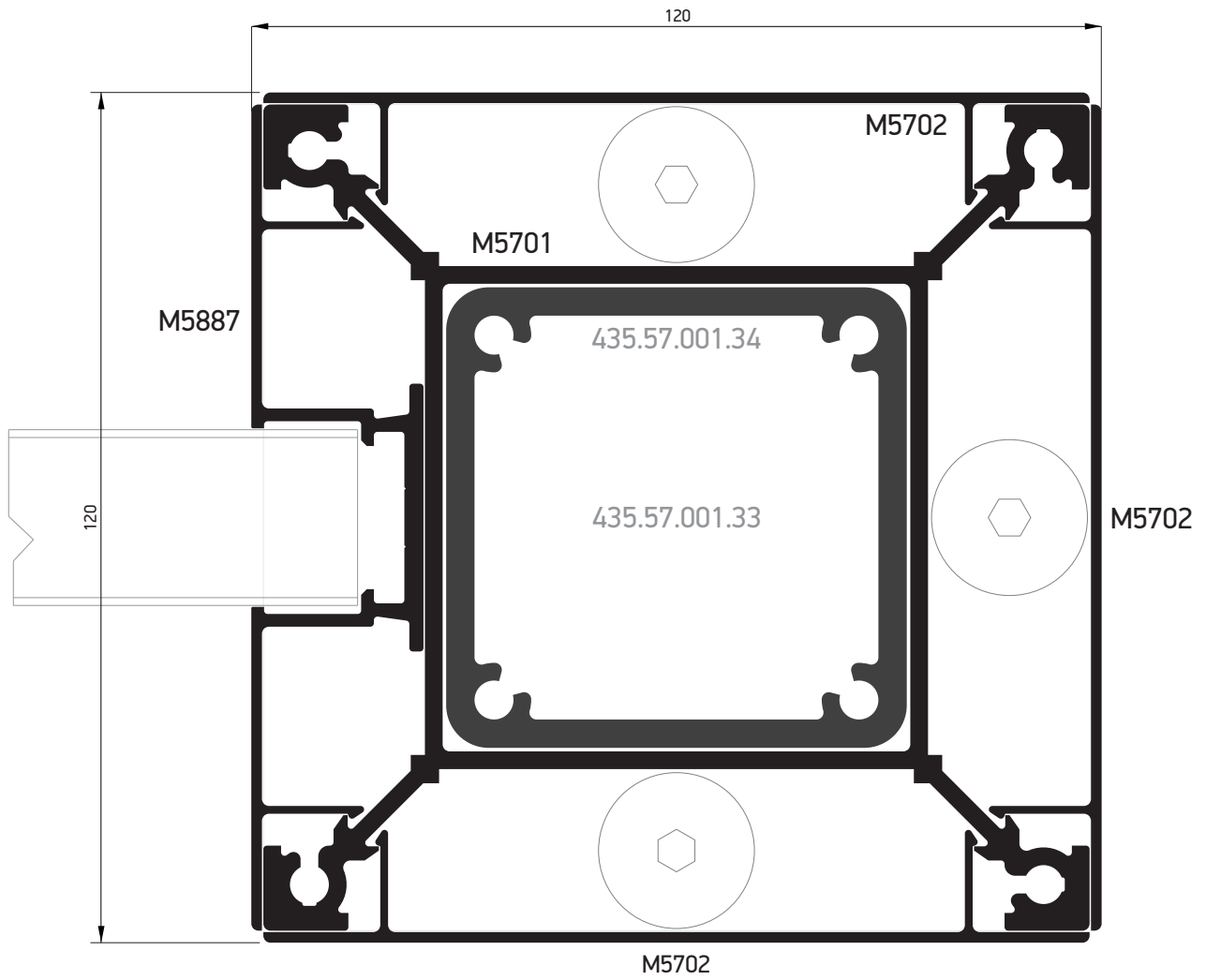
Post  
Κοιτόνες

Post 120mm  
Κοιτόνα 120mm



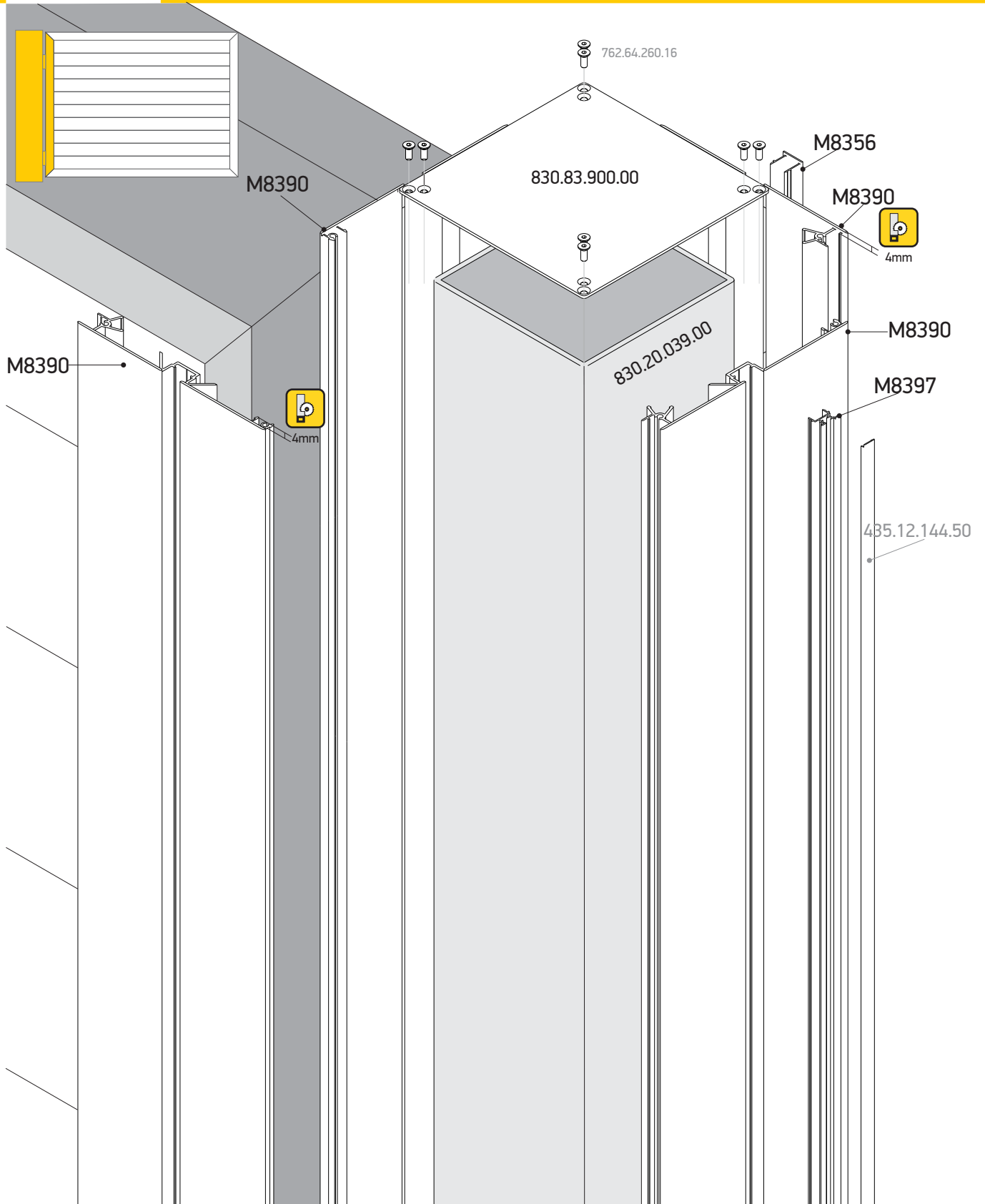
Post  
Κοιλόνες

Post 120mm  
Κοιλόνια 120mm



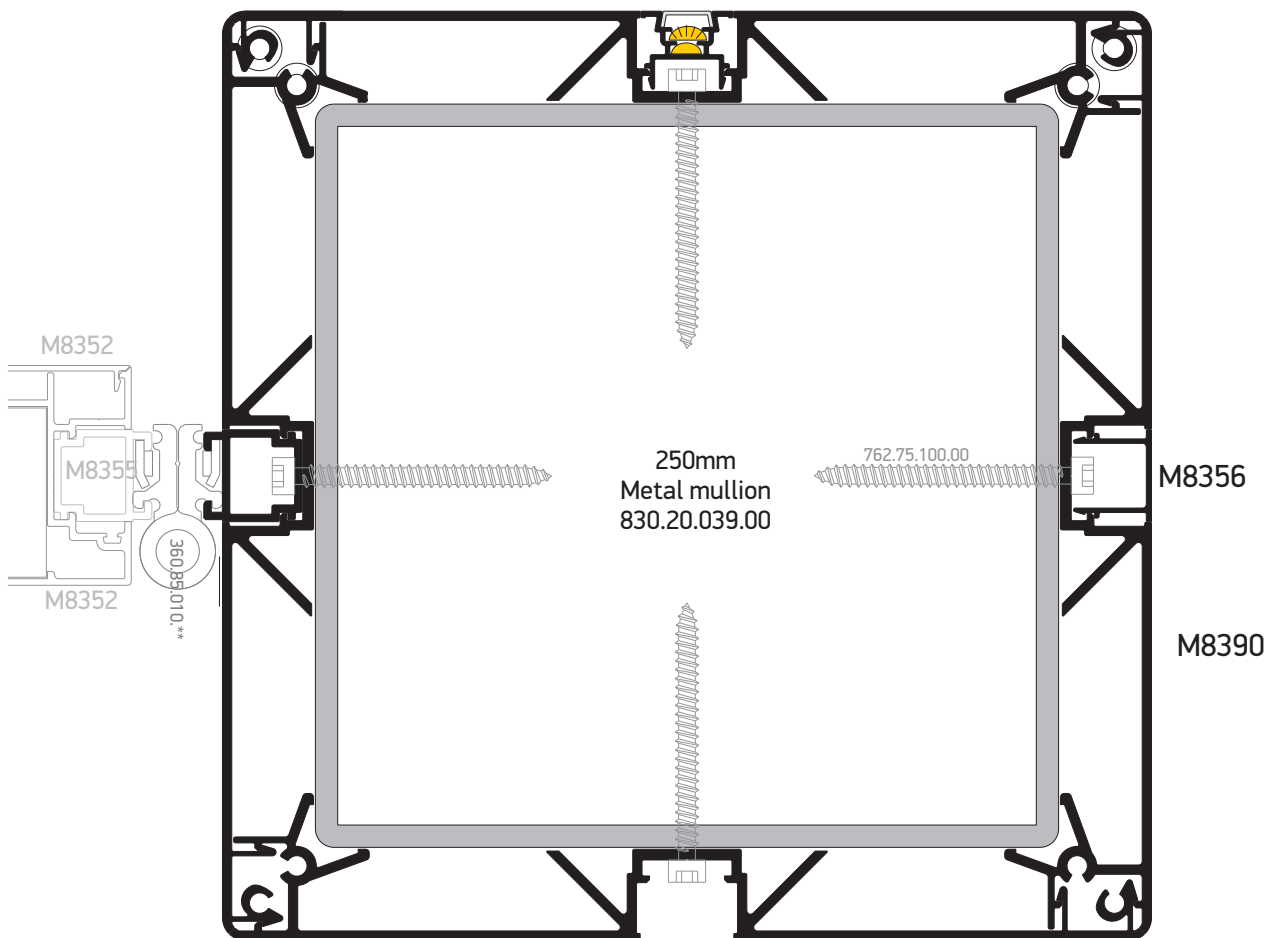
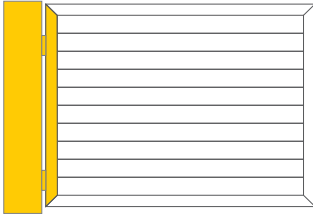
Post  
Κοιτόνες

250mm aluminium post with steel core  
250mm κοιτόνα με ατσάλινο πυρήνα



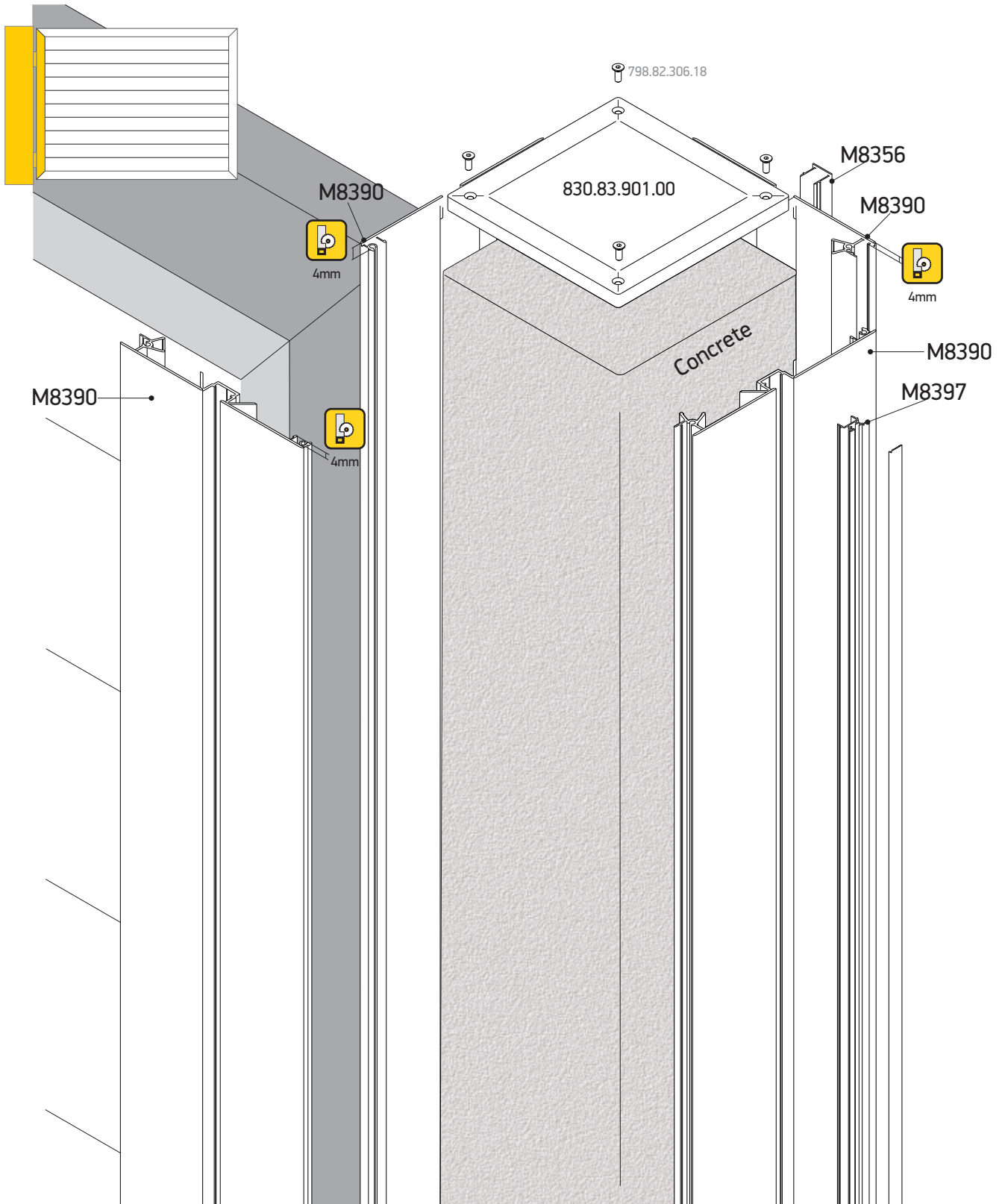
Post  
Κοιτόνες

250mm aluminium post with steel core  
250mm κοιτόνα με ατσάλινο πυρήνα



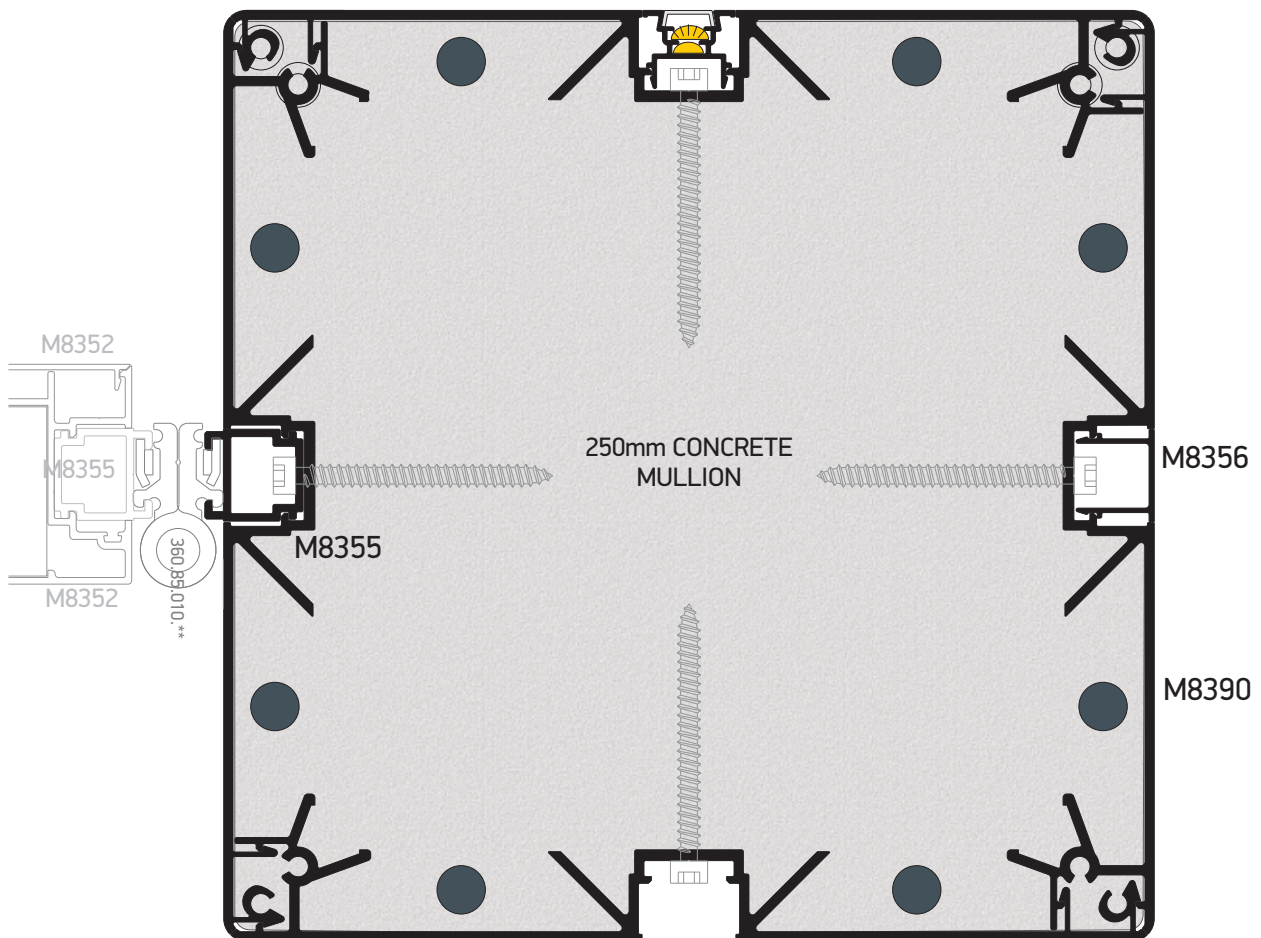
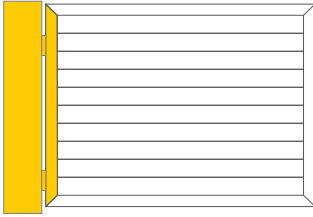
Post  
Καθόνες

250mm aluminium cell for concret mullion  
250mm περίβλημα αλουμινίου για τσιμεντοκολόνα



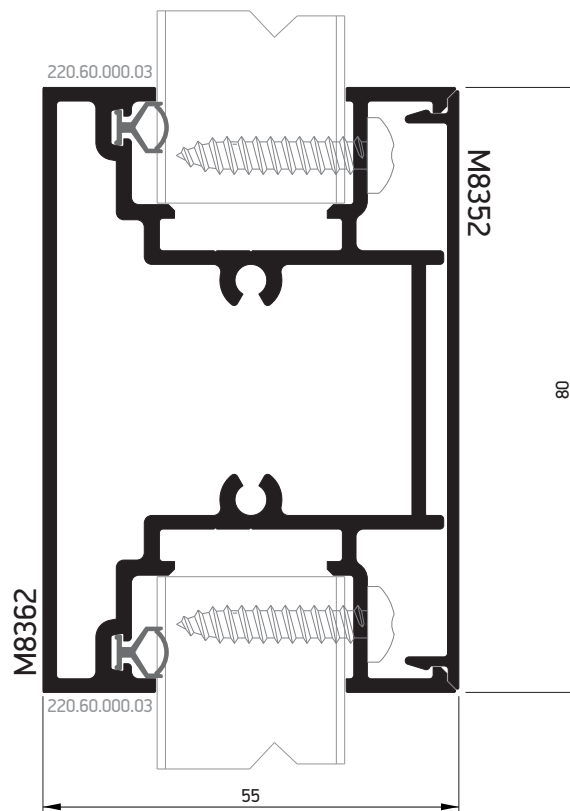
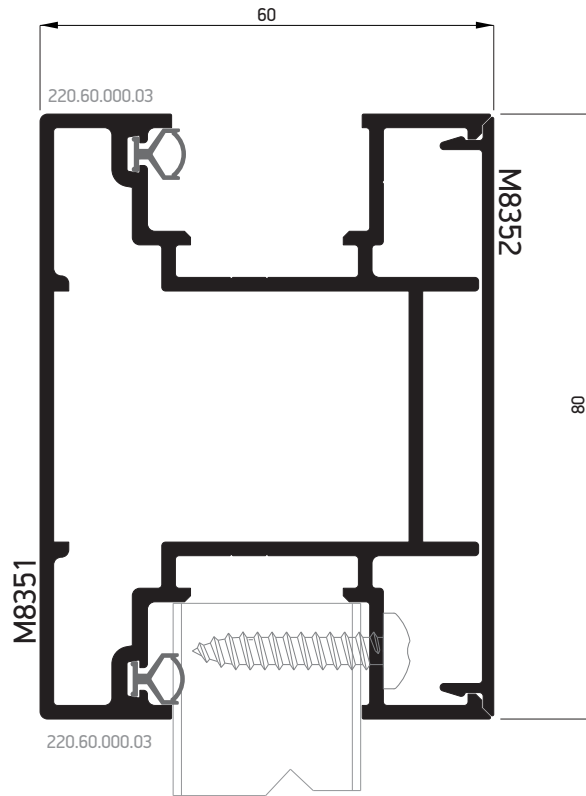
Post  
Καθόνες

250mm aluminium cell for concret mullion  
250mm περίβλημα αλουμινίου για τσιμεντοκολόνα



Trasom  
Τραβέρσα

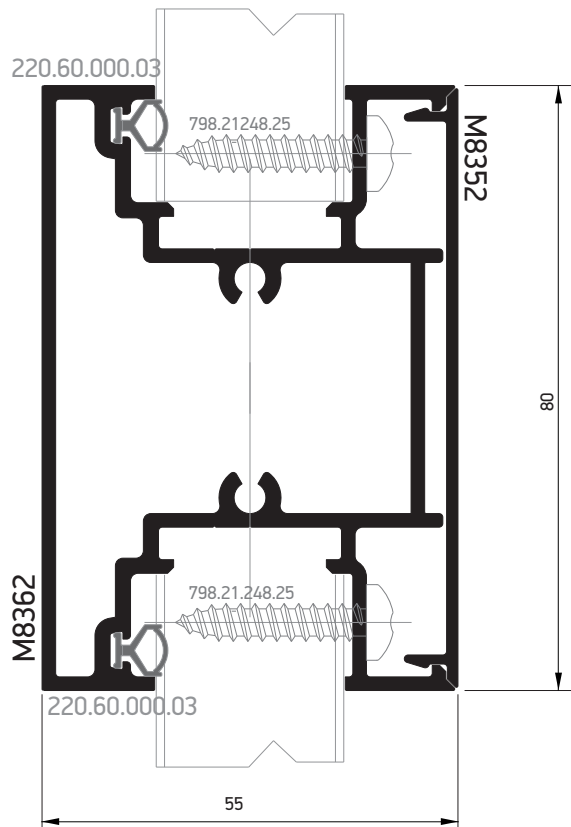
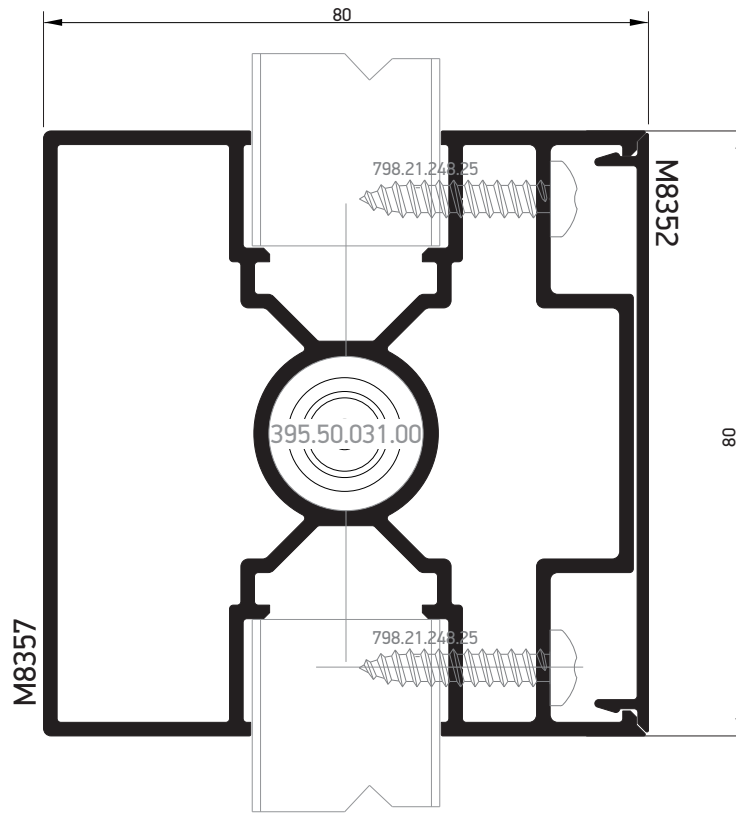
Gate's Transom and sash  
Τραβέρσα και φύλλο αυλόπορτας





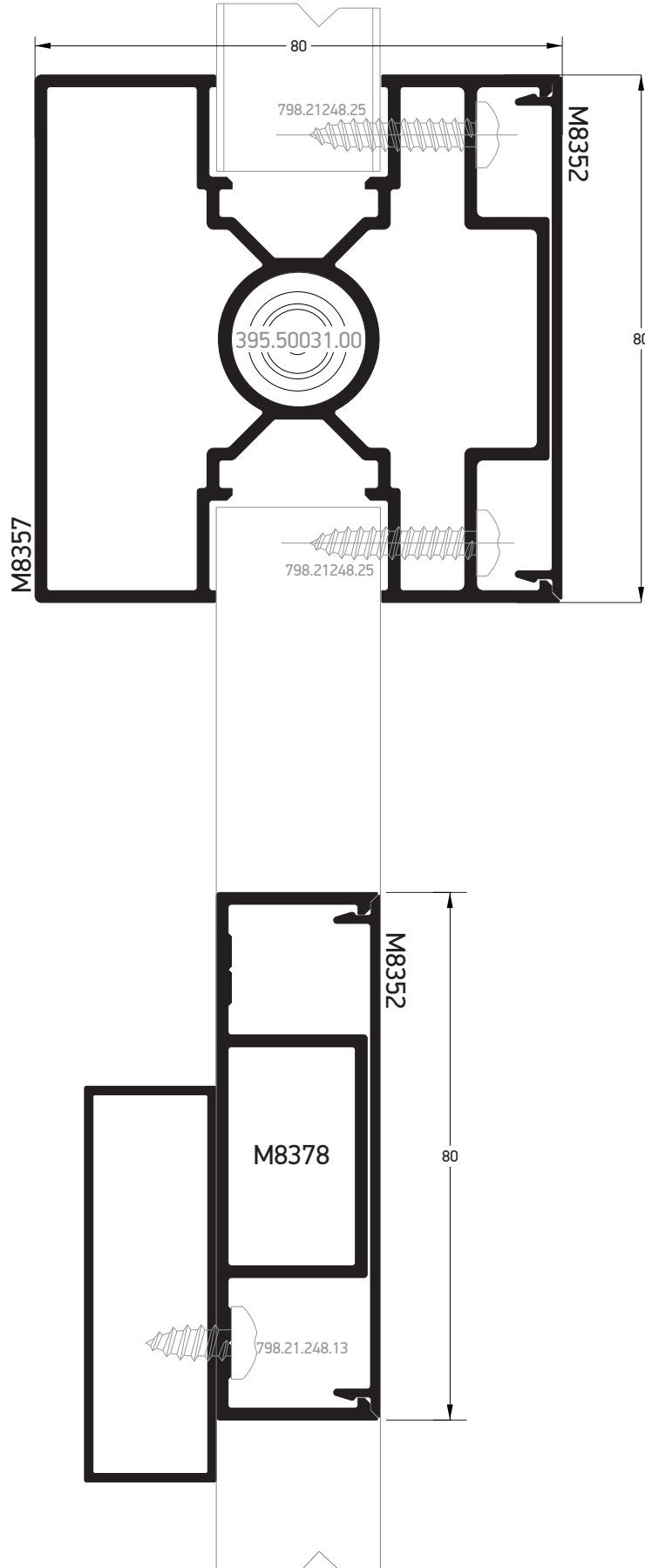
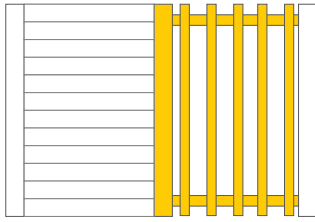
Trasom  
Τραβέρσα

Fence's Transom and 80mm post  
Τραβέρσα περίφραξης και 80mm κοίλινα



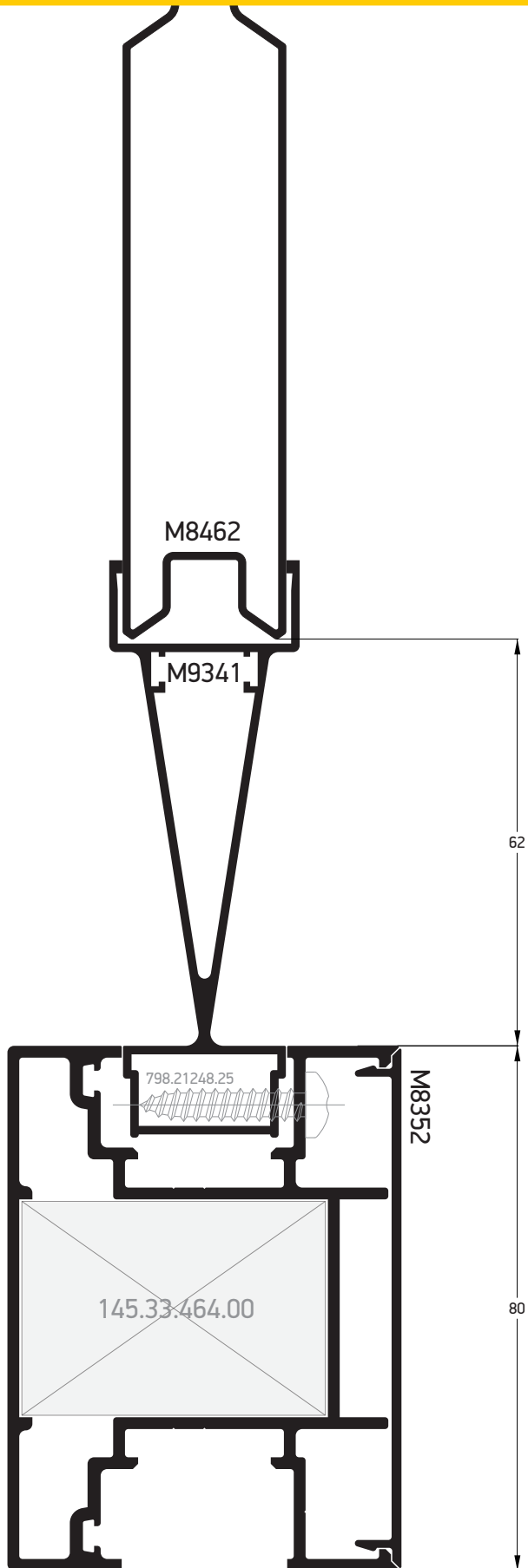
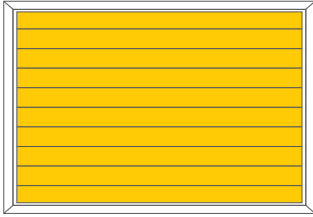
Pickets  
Κάθετες περσίδες

Post 80mm with horizontal rails and vertical pickets  
Κοίλινα 80mm με τραβέρσα για εγκατάσταση κάθετων περσίδων



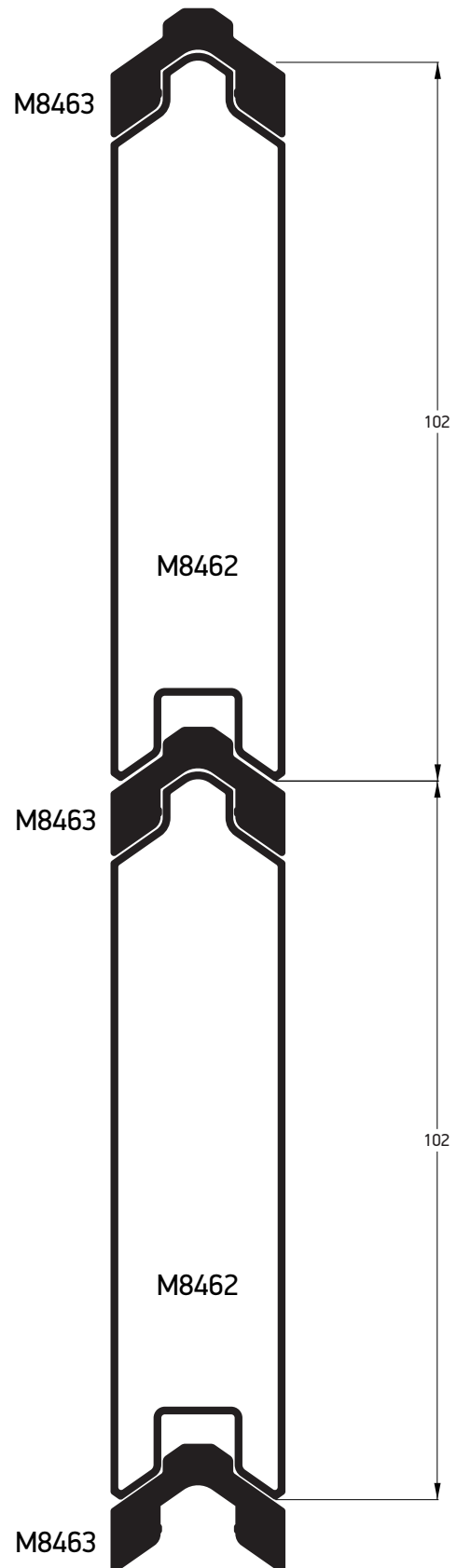
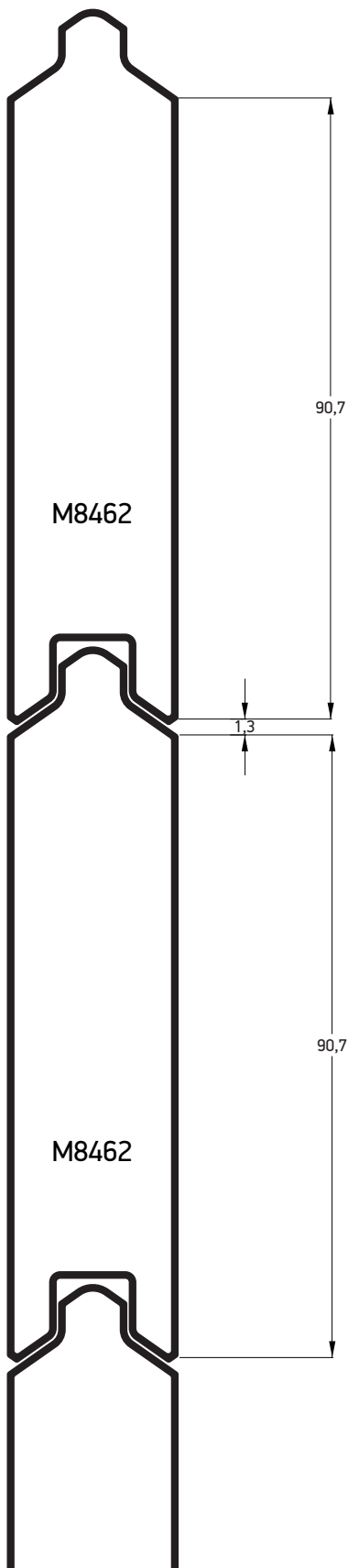
Slats/Pickets  
Περσίδες

Slats  
Περσίδες



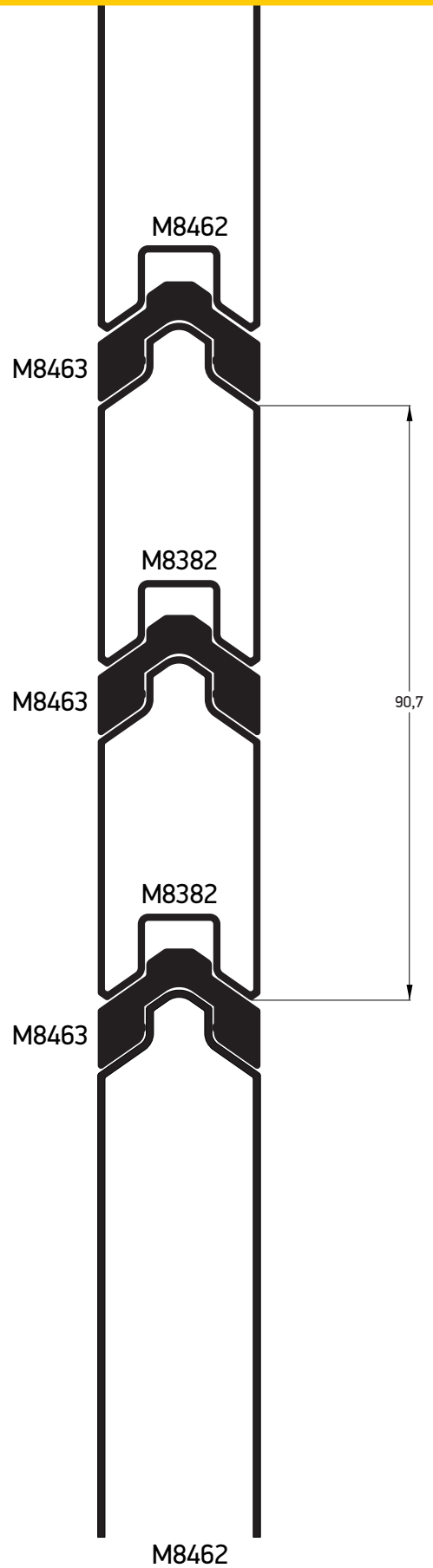
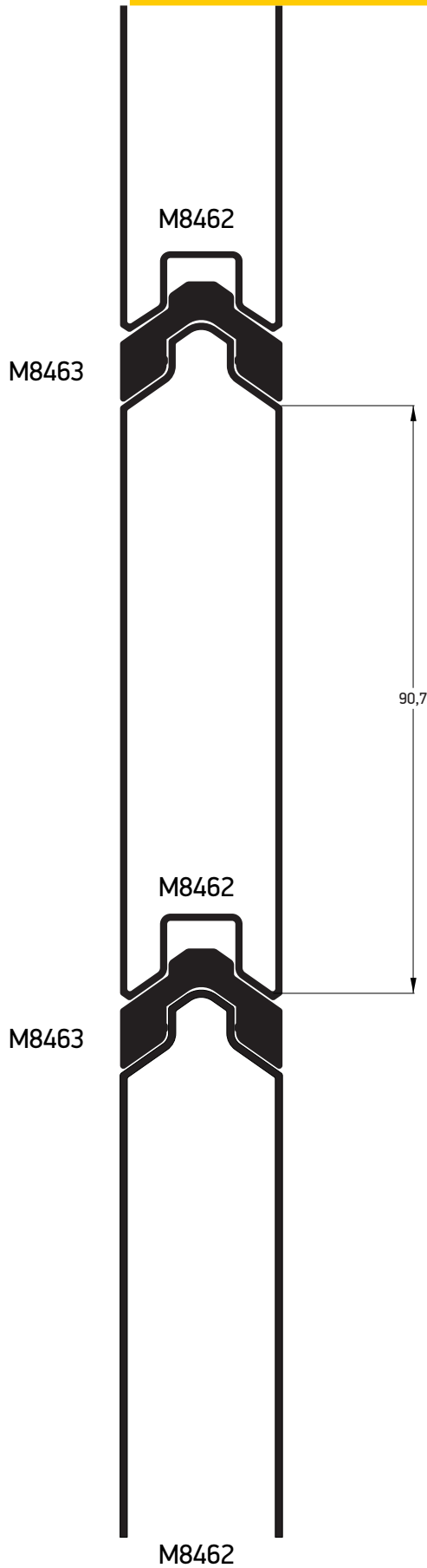
Slats/Pickets  
Περσίδες

Slats  
Περσίδες



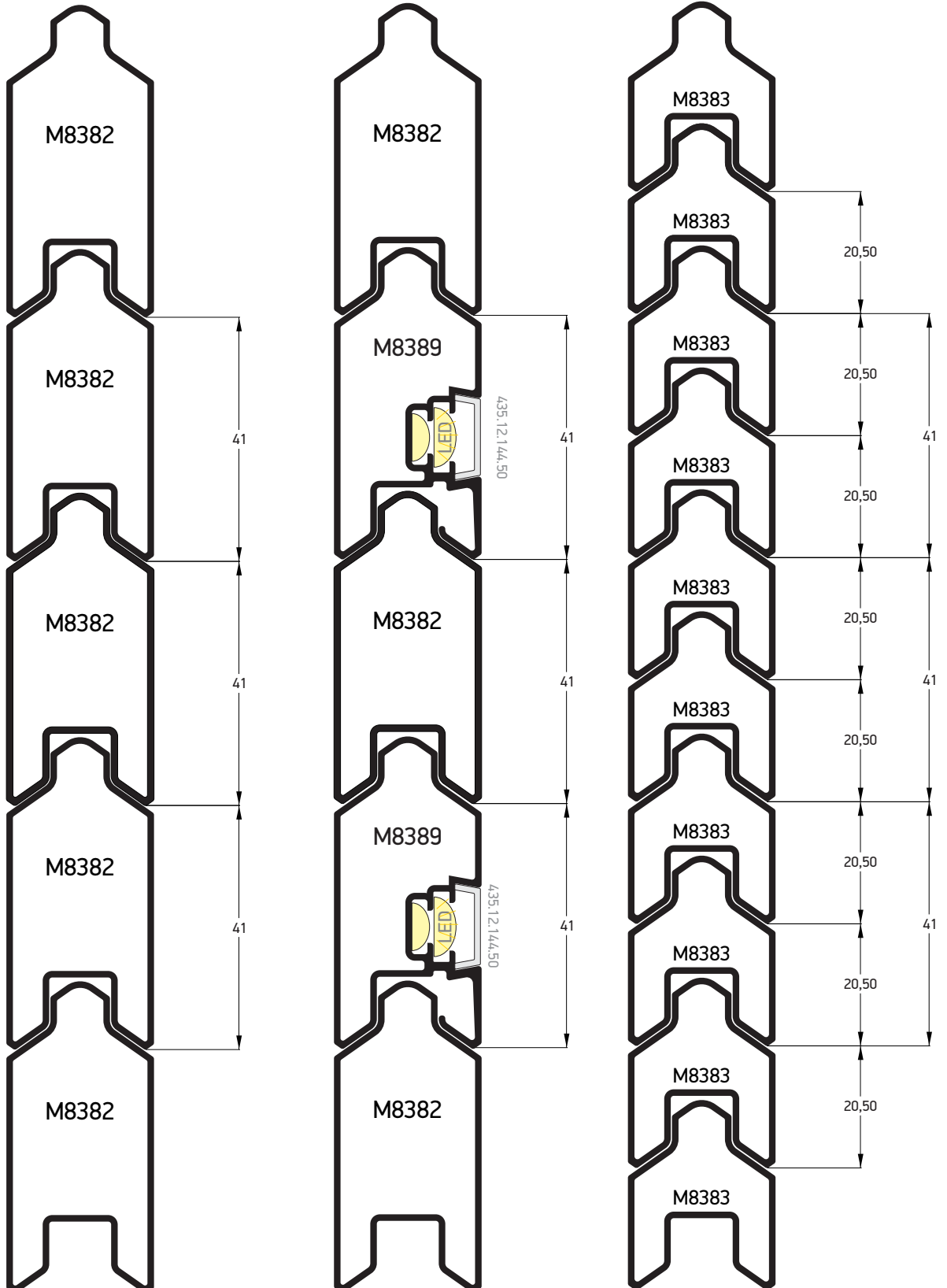
Slats/Pickets  
Περσίδες

Slats  
Περσίδες



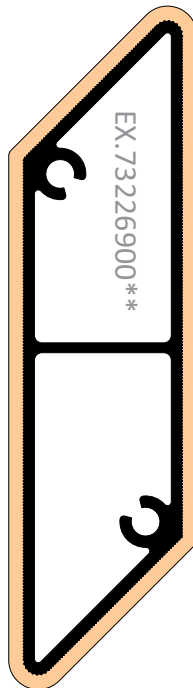
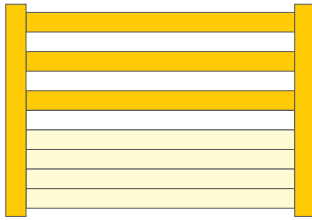
Slats/Pickets  
Περσίδες

Slats  
Περσίδες



Slats/Pickets  
Περσίδες

Woodalux Slats  
Περσίδες Woodalux



Χρωματολόγιο Color Index		ΧΡΩΜΑ / COLOR	
	Χρώμα Color	Κωδικός Code XX	
JK11	WHITE	02	
JK31	TEAK	08	
JK29	PALISANDER	07	
JK28	WALNUT	06	
JK26	WENGE	05	
JK22	LIGHT GREY	03	
JK26	DARK GREY	04	
JK08	CHARCOAL	01	
JK32	BLACK	09	

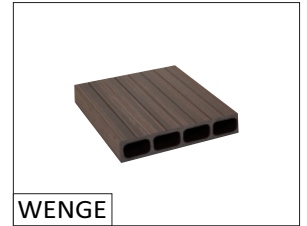
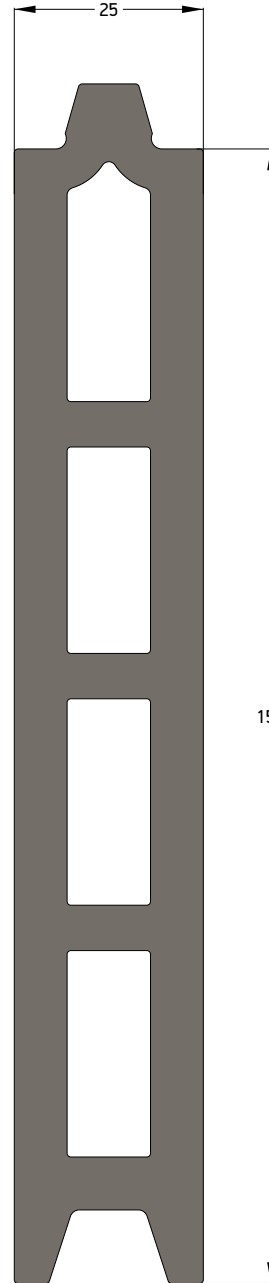
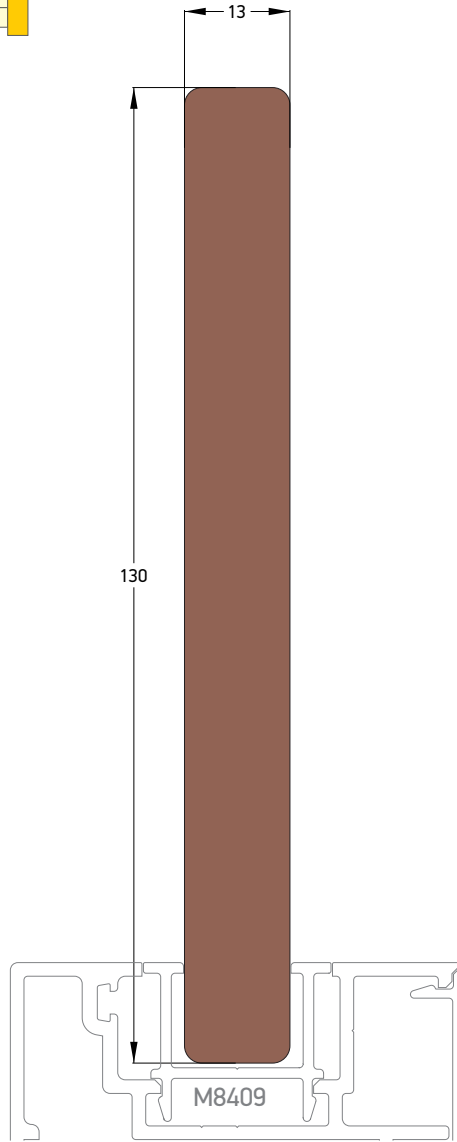
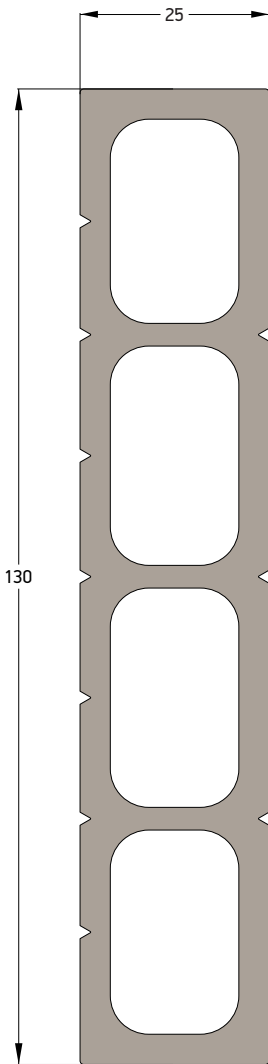
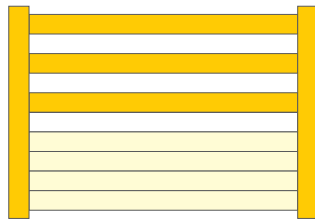
1	EX.7322412001	WOODALUX bar 24x120mm Charcoal JK08 6.0m	JK08	Charcoal	<p>EX.73224120**</p> <p>25x120mm</p>
2	EX.7322412002	WOODALUX bar 24x120mm White JK11 6.0m	JK11	White	
3	EX.7322412003	WOODALUX bar 24x120mm Light Grey JK22 6.0m	JK22	Light Grey	
4	EX.7322412004	WOODALUX bar 24x120mm Dark Grey JK26 6.0m	JK26	Dark Grey	
5	EX.7322412005	WOODALUX bar 24x120mm Wenge JK26 6.0m	JK26	Wenge	
6	EX.7322412006	WOODALUX bar 24x120mm Walnut JK28 6.0m	JK28	Walnut	
7	EX.7322412007	WOODALUX bar 24x120mm Palisander JK29 6.0m	JK29	Palisander	
8	EX.7322412008	WOODALUX bar 24x120mm Teak JK31 6.0m	JK31	Teak	

1	EX.7322590001	WOODALUX bar 26x90mm Charcoal JK08 6.0m	JK08	Charcoal	<p>EX.73225900**</p> <p>26x90mm</p>
2	EX.7322590002	WOODALUX bar 26x90mm White JK11 6.0m	JK11	White	
3	EX.7322590003	WOODALUX bar 26x90mm Light Grey JK22 6.0m	JK22	Light Grey	
4	EX.7322590004	WOODALUX bar 26x90mm Dark Grey JK26 6.0m	JK26	Dark Grey	
5	EX.7322590005	WOODALUX bar 26x90mm Wenge JK26 6.0m	JK26	Wenge	
6	EX.7322590006	WOODALUX bar 26x90mm Walnut JK28 6.0m	JK28	Walnut	
7	EX.7322590007	WOODALUX bar 26x90mm Palisander JK29 6.0m	JK29	Palisander	
8	EX.7322590008	WOODALUX bar 26x90mm Teak JK31 6.0m	JK31	Teak	

\*(some scratching required / με μερική αφάιρεση υλικού)

Slats/Pickets  
Περσίδες

Woopee Slats  
Περσίδες Woopee

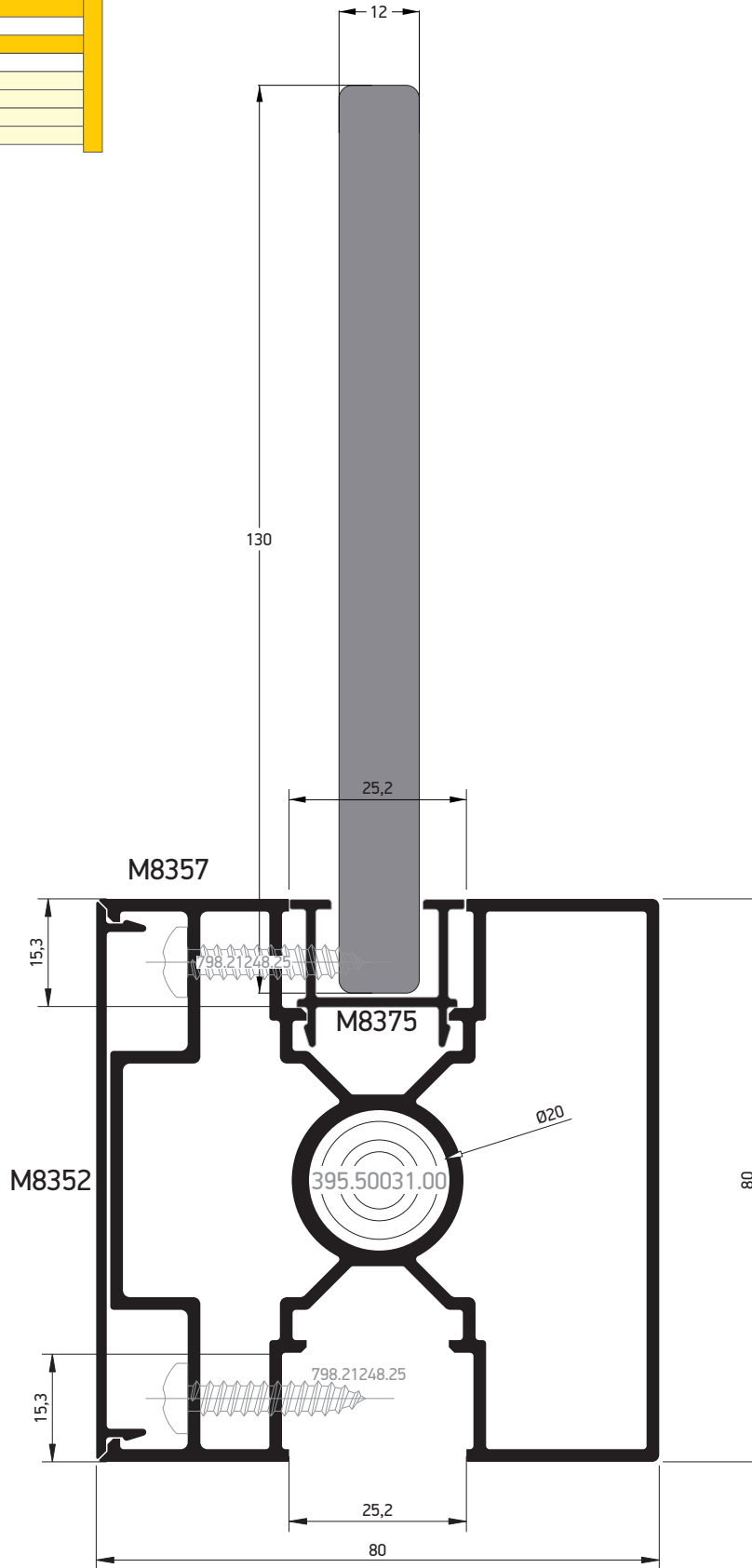
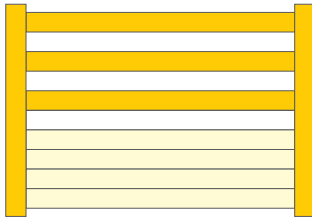


	150x25	CHERRY	EX.7313010000	WOOPEE OVERLAP BOARD 25mm CHERRY
		WENGE	EX.7313020000	WOOPEE OVERLAP BOARD 25mm WENGE
		GREY	EX.7313025000	WOOPEE OVERLAP BOARD 25mm GREY
		TEAK	EX.7313030000	WOOPEE OVERLAP BOARD 25mm TEAK
		LATTE	EX.7313030000	WOOPEE OVERLAP BOARD 25mm LATTE
	130x25	CHERRY	EX.7315010000	WOOPEE HOLLOW FENCING BOARD 25mm CHERRY
		WENGE	EX.7315020000	WOOPEE HOLLOW FENCING BOARD 25mm WENGE
		GREY	EX.7315025000	WOOPEE HOLLOW FENCING BOARD 25mm GREY
		TEAK	EX.7315030000	WOOPEE HOLLOW FENCING BOARD 25mm TEAK
		LATTE	EX.7315035000	WOOPEE HOLLOW FENCING BOARD 25mm LATTE
	130x13	CHERRY	EX.7316010000	WOOPEE FENCING BOARD 13mm CHERRY
		WENGE	EX.7316020000	WOOPEE FENCING BOARD 13mm WENGE
		GREY	EX.7316025000	WOOPEE FENCING BOARD 13mm GREY
		TEAK	EX.7316030000	WOOPEE FENCING BOARD 13mm TEAK
		LATTE	EX.7316035000	WOOPEE FENCING BOARD 13mm LATTE



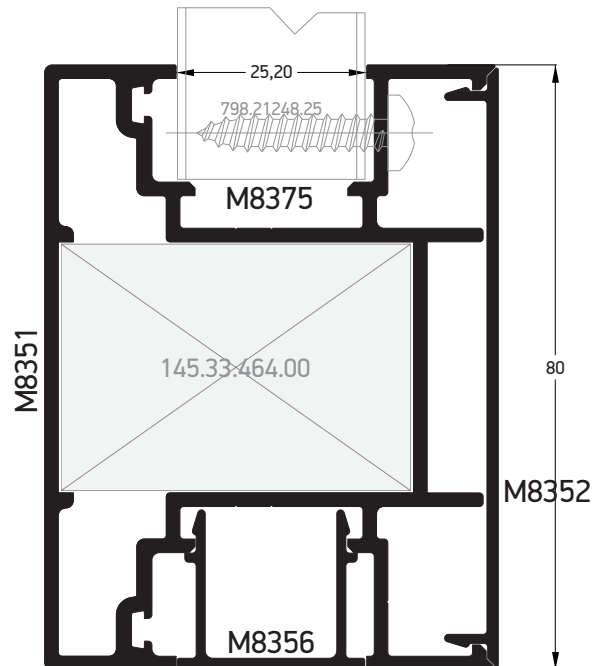
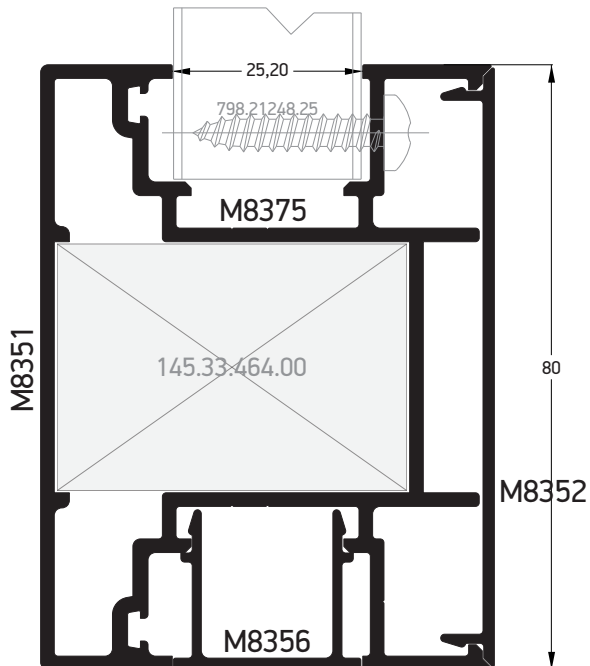
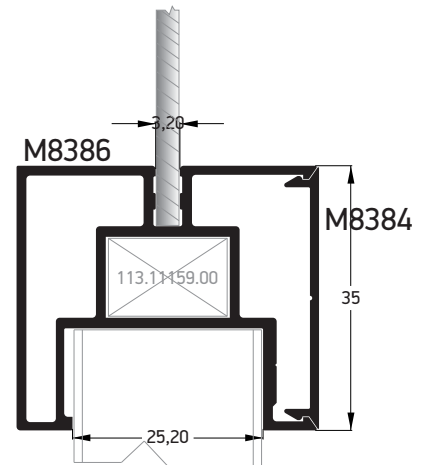
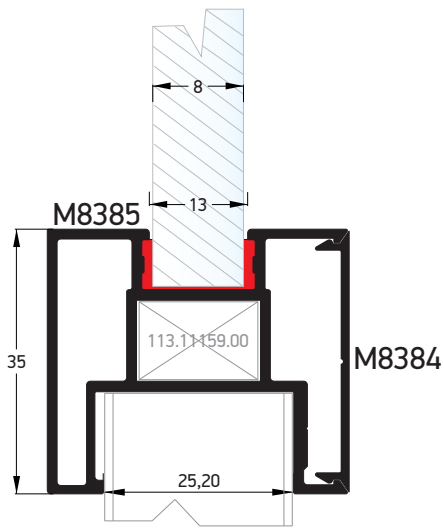
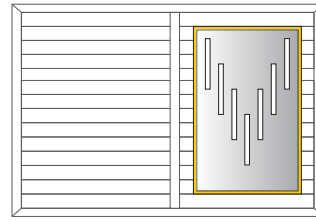
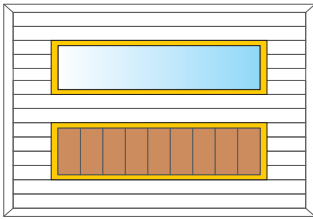
Slats/Pickets  
Περσίδες

Woodee Slats  
Περσίδες Woodee



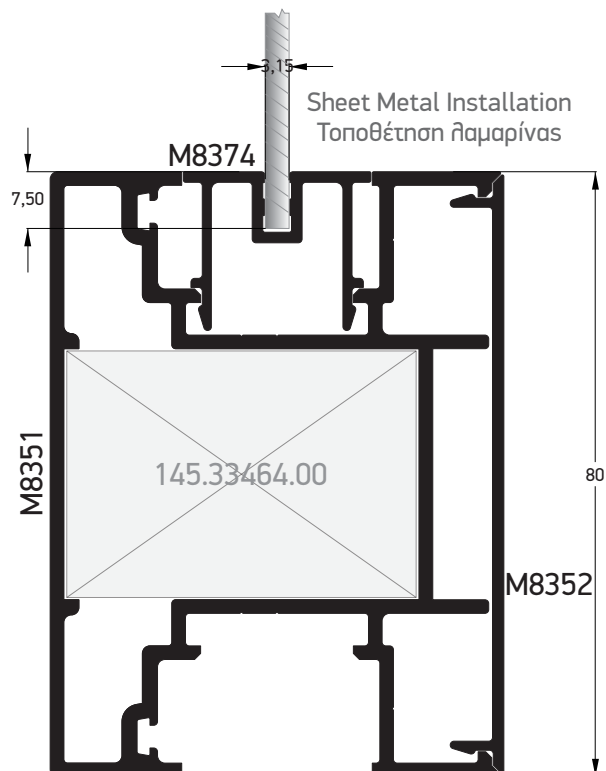
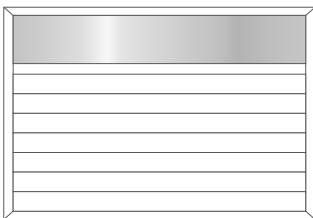
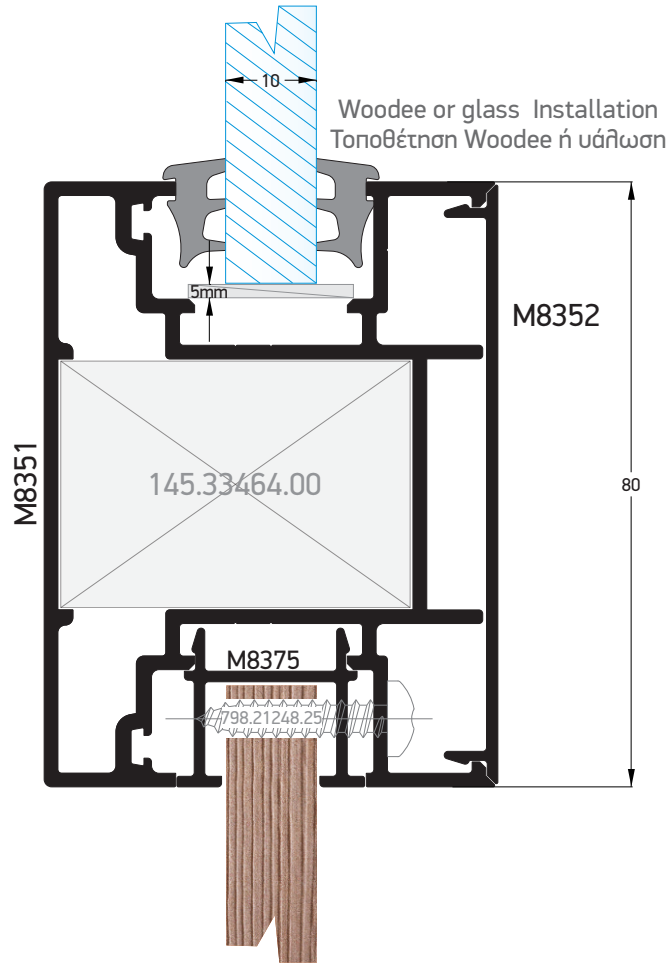
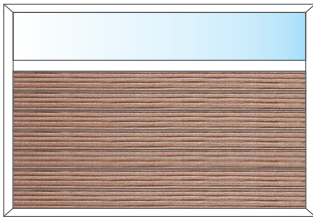
Frame  
Κορνίζα

Gate's frame profile for Woodee, glass, sheet metal  
Διακοσμητική κορνίζα αυλόπορτας για Woodee, υάλωση, μεταλλικό φύλλο



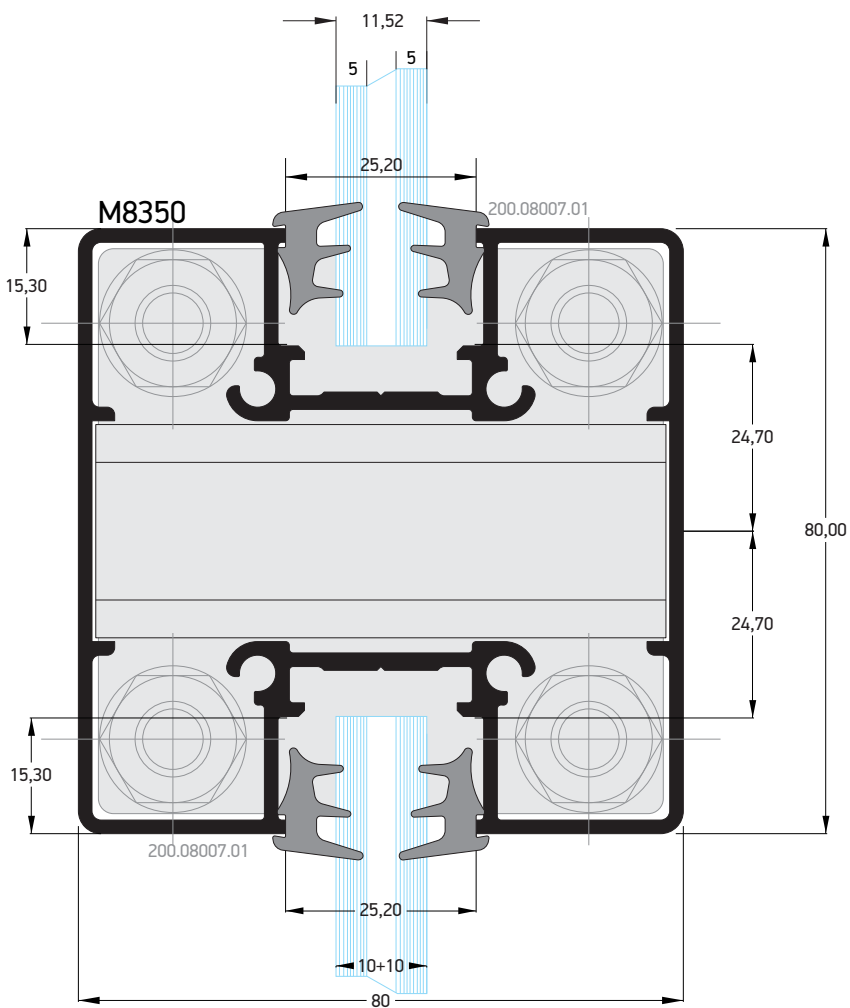
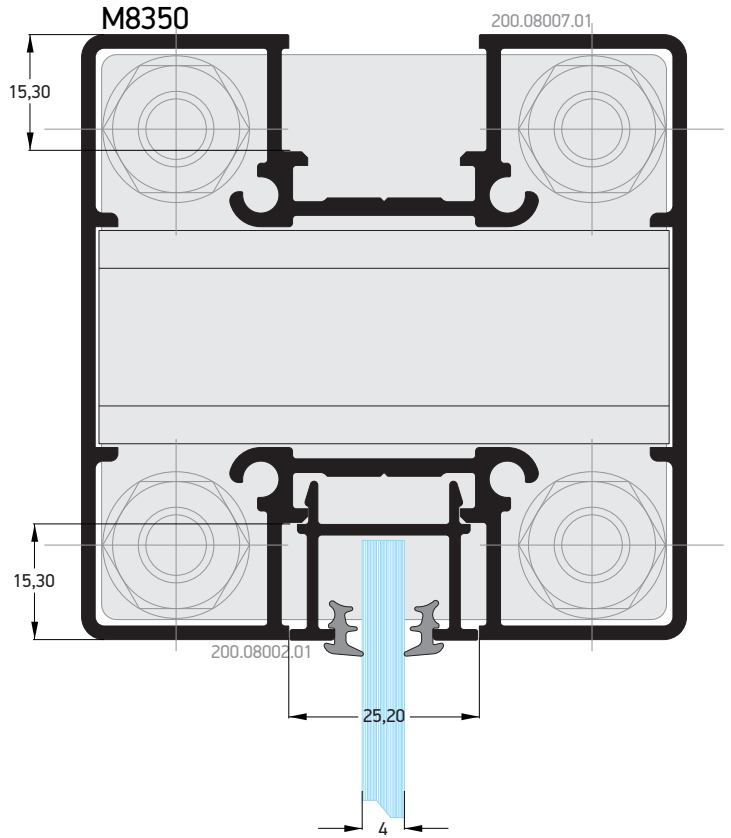
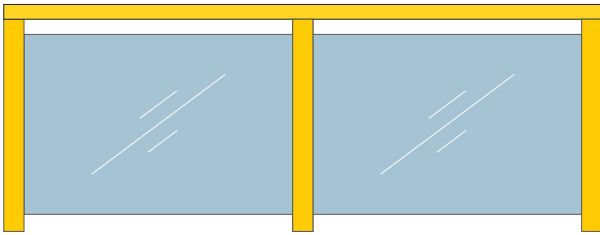
Frame  
Κορνίζα

Sheet metal, Woodee, glass installations  
Εγκατάσταση μεταλλικών φύλλων, woodee, υαλώσεις



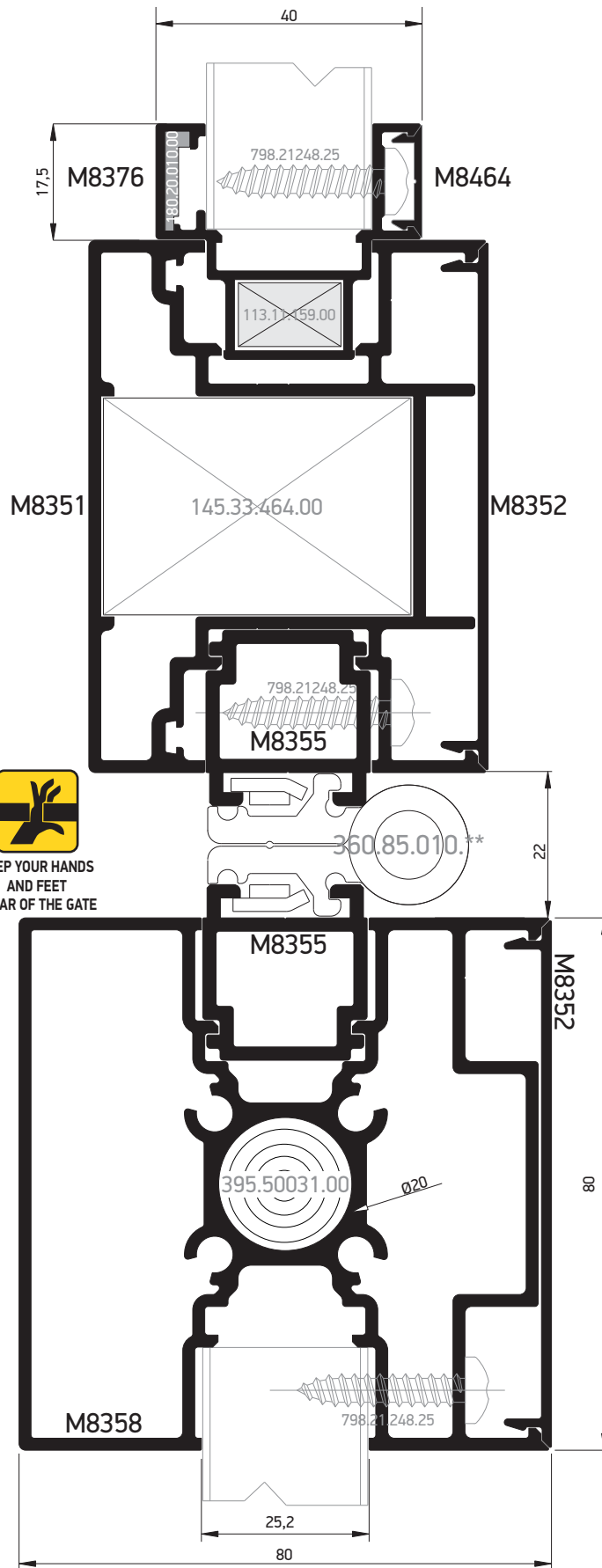
Infills  
Γεμίσματα

Glass railing  
Γυάλινο κάγκελο



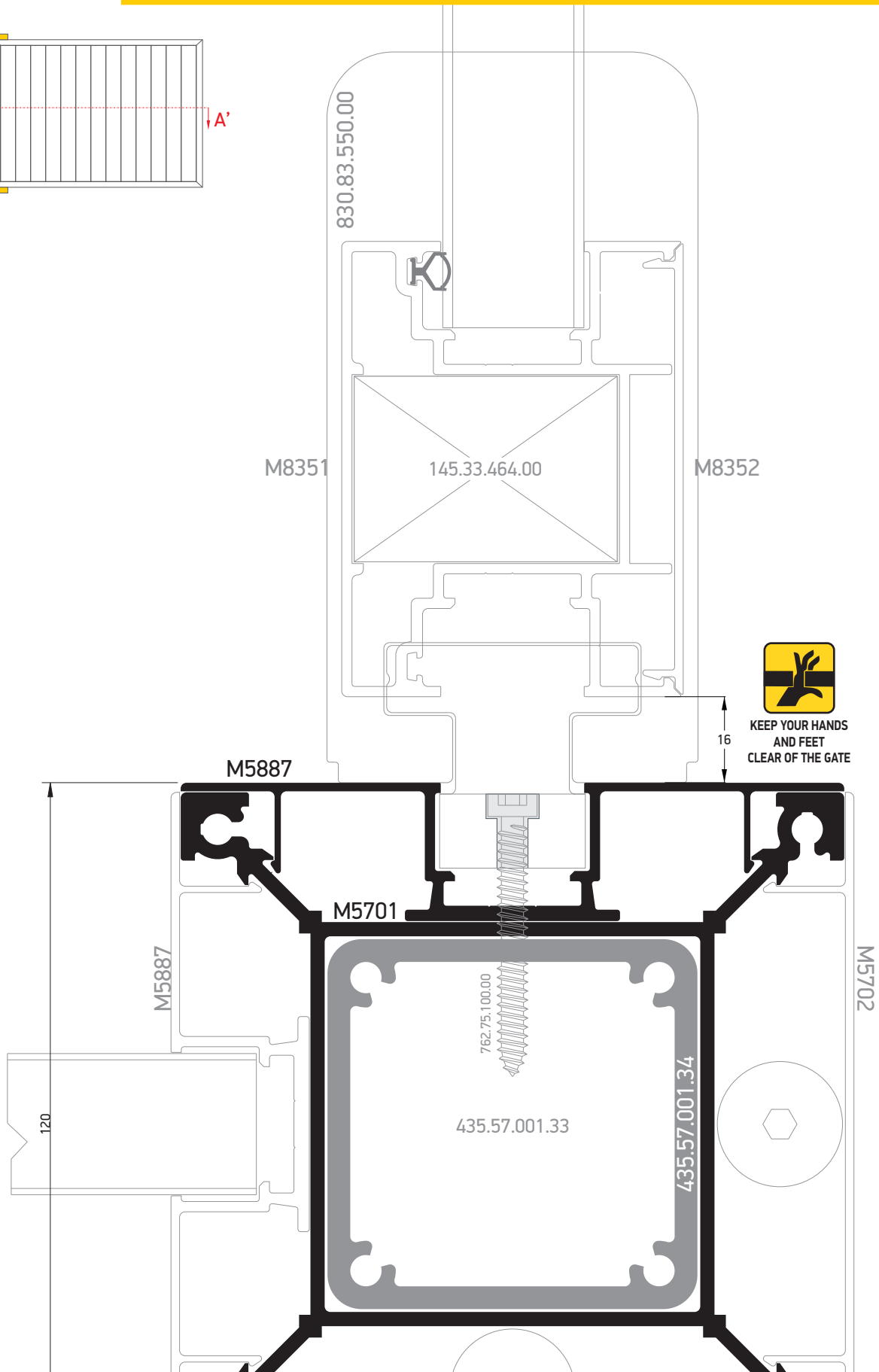
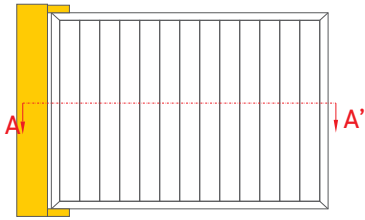
Frame  
Κορνίζα

Gate's frame profile  
Διακοσμητική κορνίζα αυλόπορτας



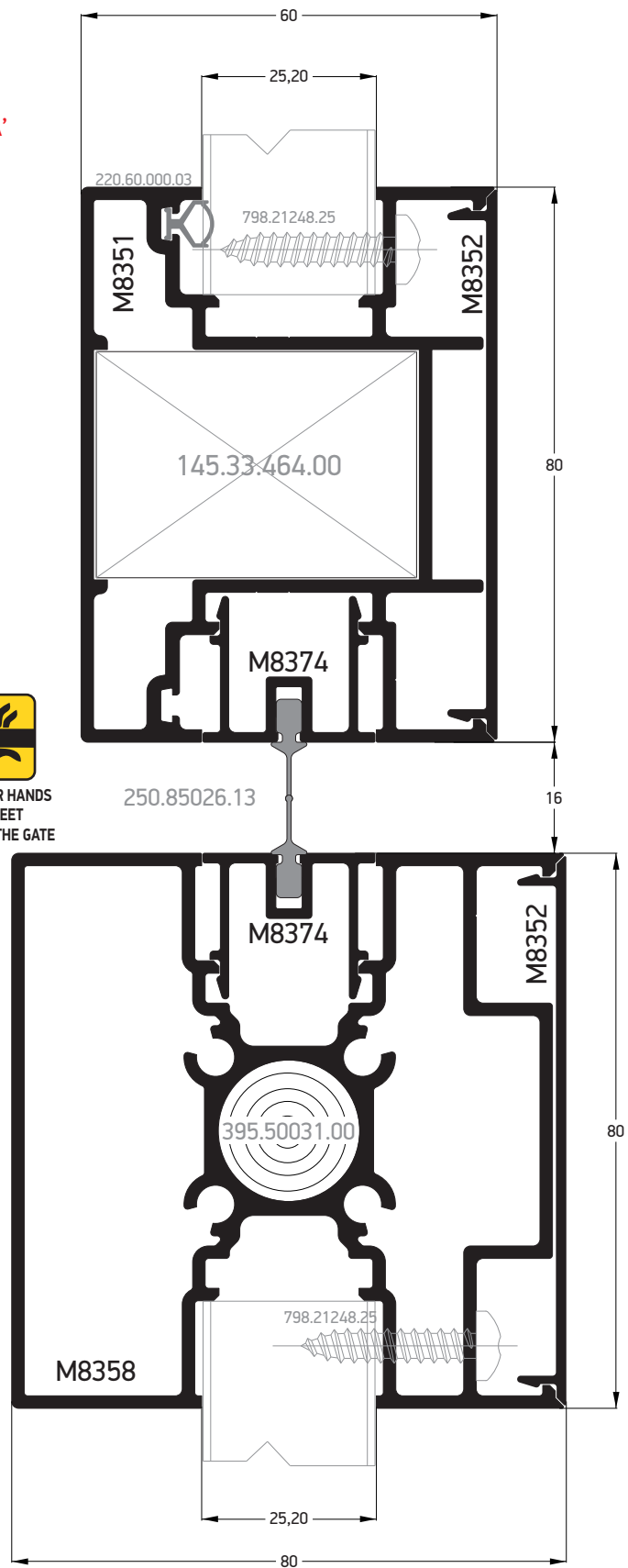
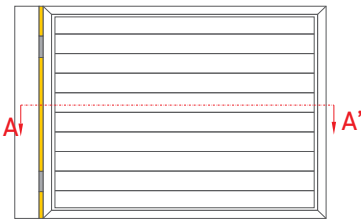
Pivot Hinge  
Pivot Μεντεσές

## Gate's Pivot Hinge installation Εγκατάσταση Pivot μεντεσέ αυλόπορτας



Hinge  
Μεντεσές

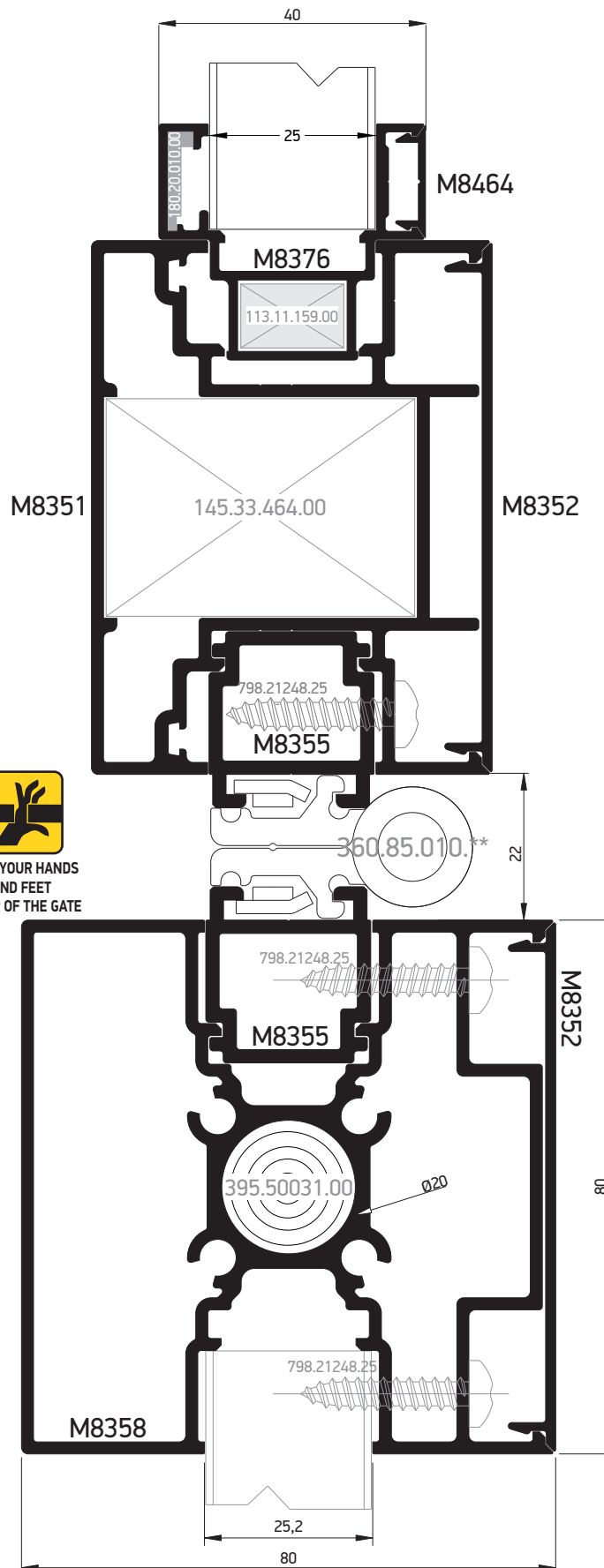
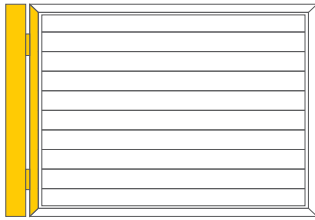
Gasket for pivot hinge 830.83.550.00  
Εγκατάσταση ελαστικού ρινοτ μεντεσέ 830.83.550.00



  
KEEP YOUR HANDS  
AND FEET  
CLEAR OF THE GATE

Hinge  
Μεντεσές

Door hinge installation  
Εγκατάσταση αηλού μεντεσέ

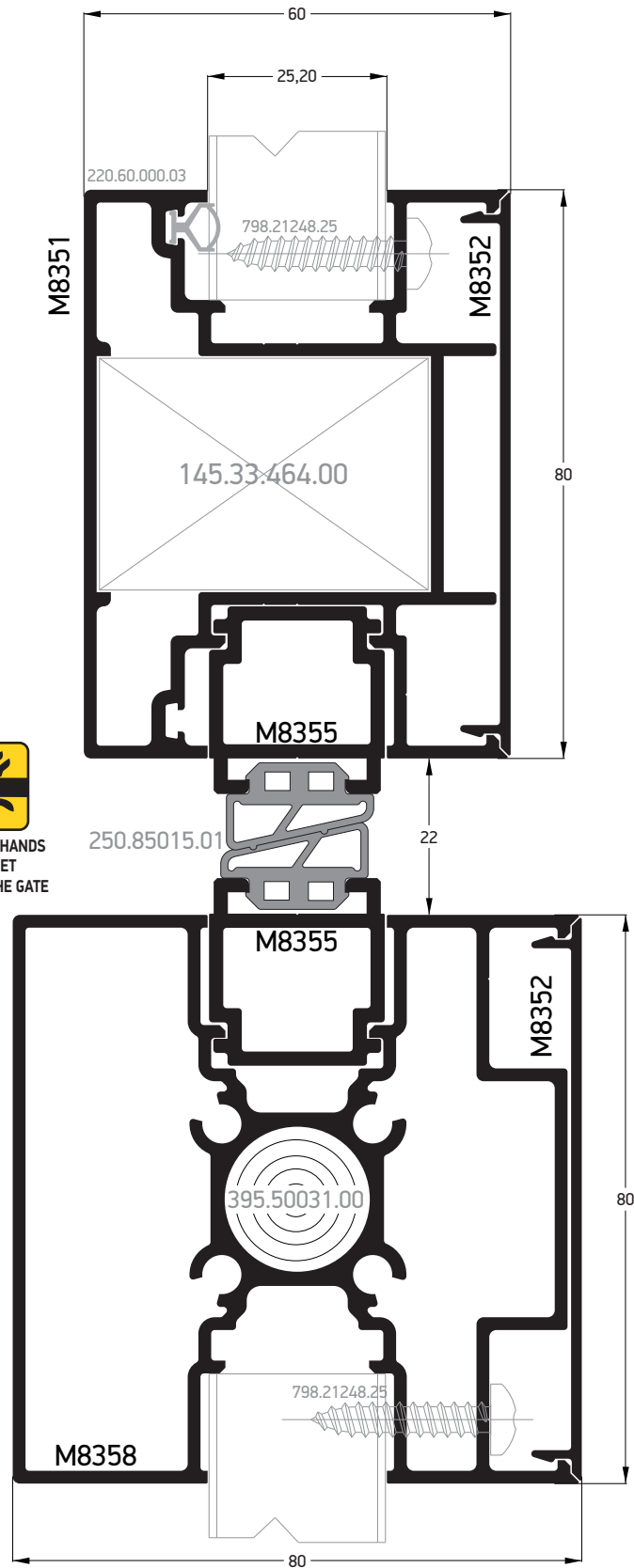
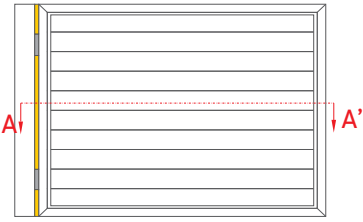


KEEP YOUR HANDS  
AND FEET  
CLEAR OF THE GATE



Hinge  
Μεντεσές

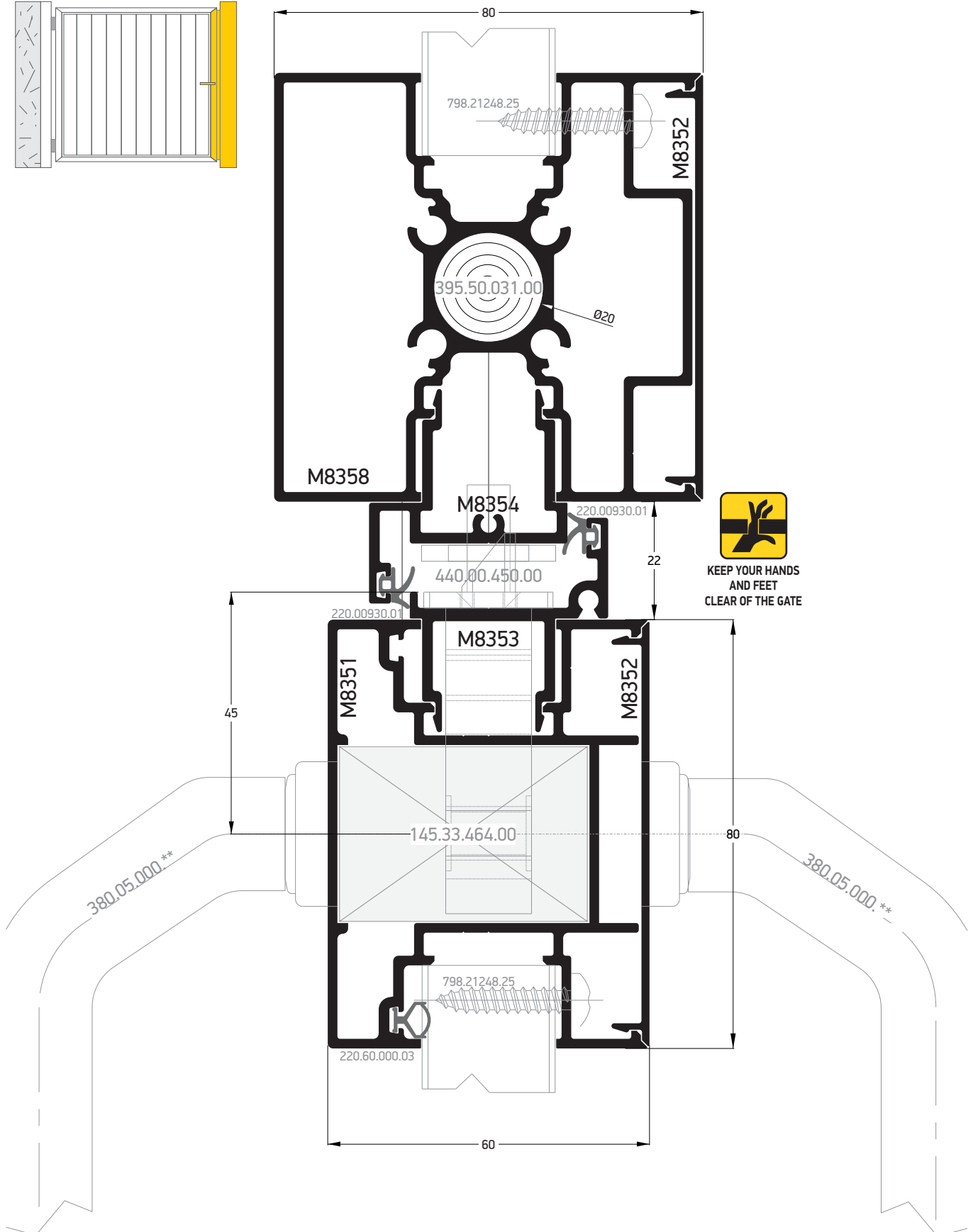
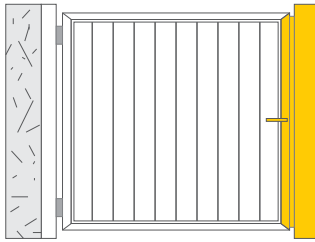
Gasket for hinge 360.85.010\*\*  
Εγκατάσταση ελαστικού μεντεσέ 360.85.010\*\*



KEEP YOUR HANDS  
AND FEET  
CLEAR OF THE GATE

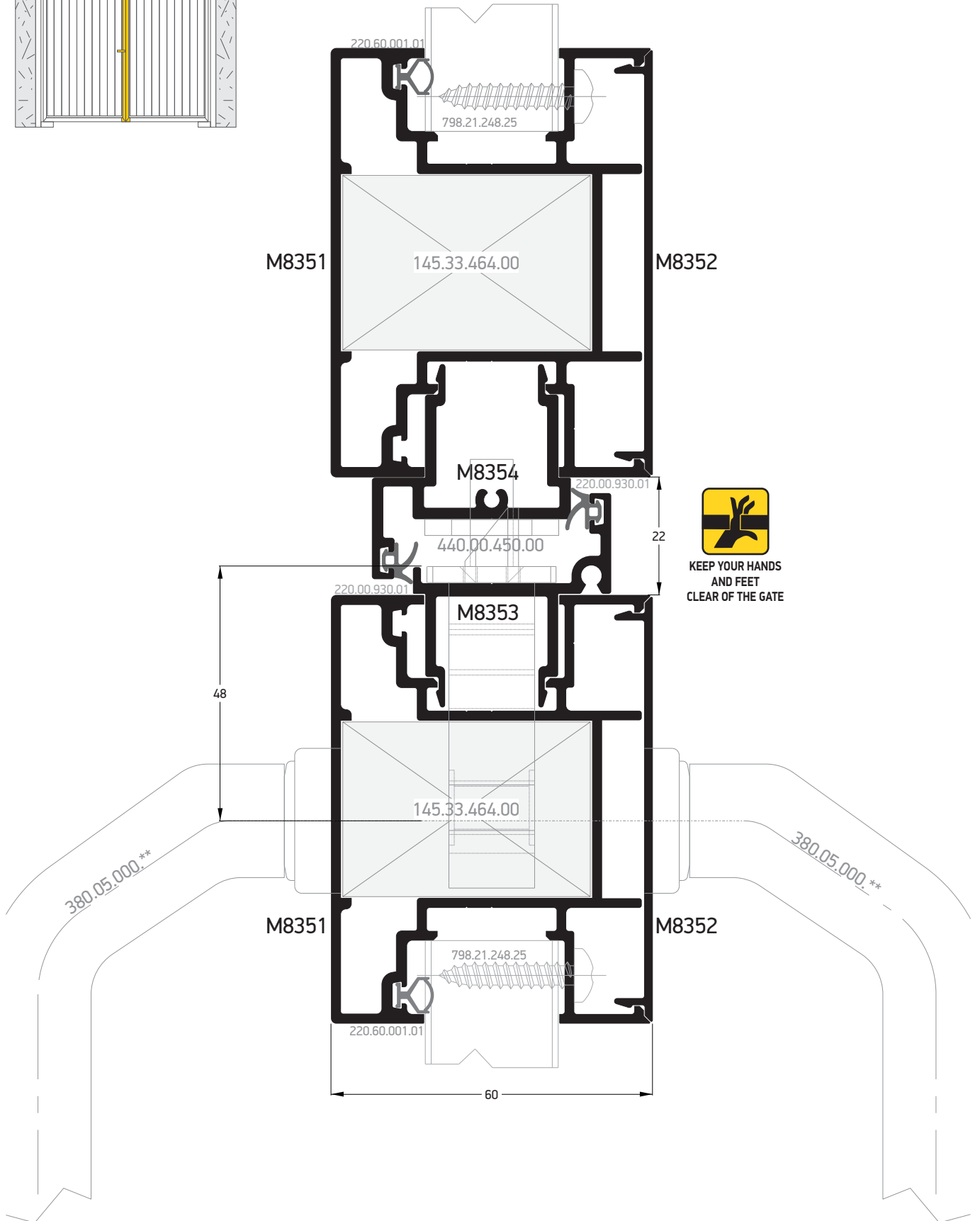
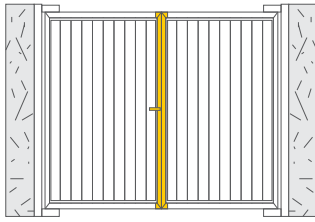
Locking Side  
Πλευρά κλειδώματος

Single swing gate locking to post  
Κλείδωμα ανοιγόμενης αυλόπορτας σε κοιλώνα



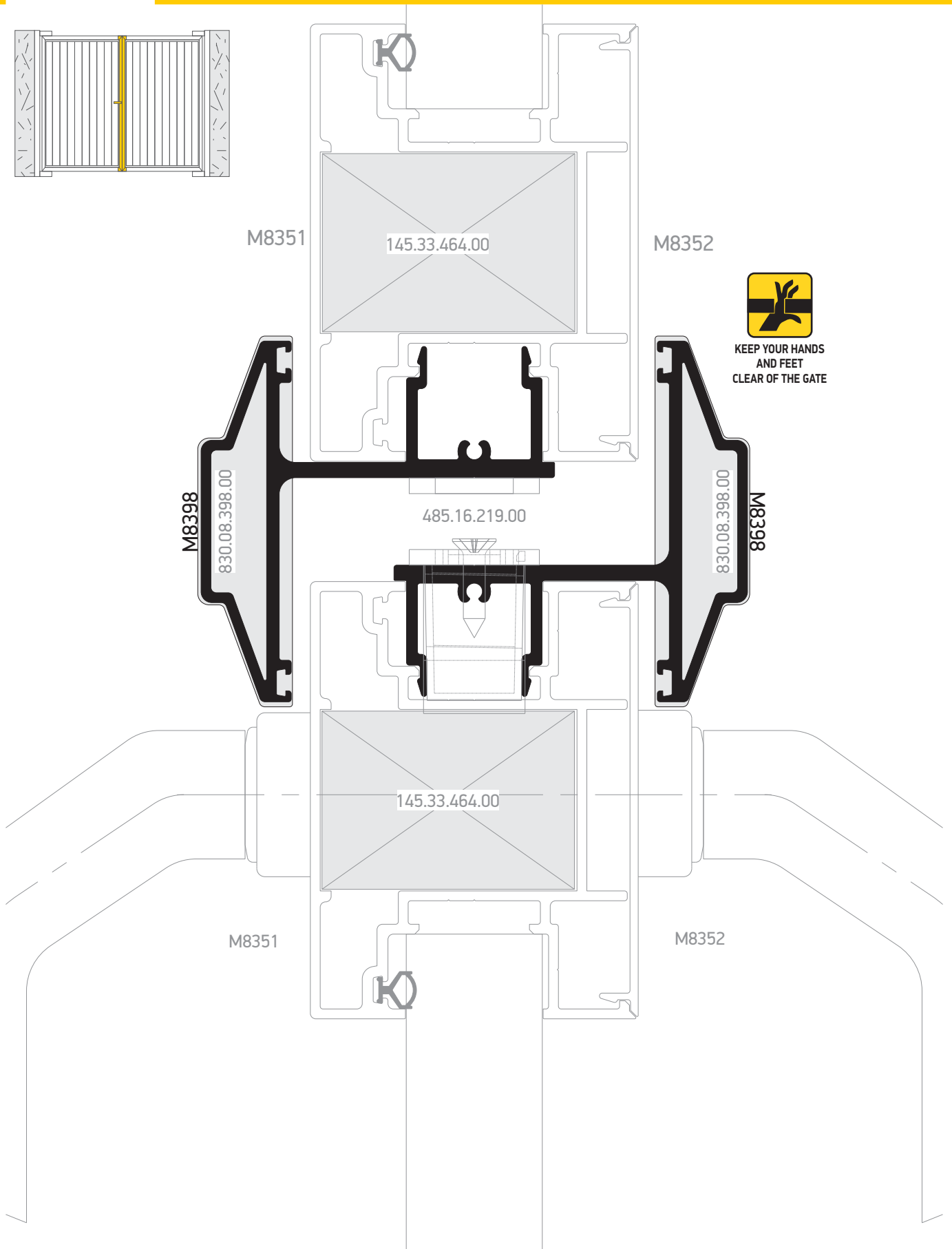
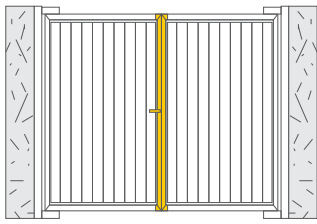
Locking Side  
Πλευρά κλειδώματος

Double swing gate locking  
Κλείδωμα δίφυλλης ανοιγόμενης αυλόπορτας



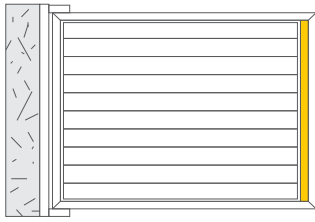
Locking Side  
Πλευρά κλειδώματος

Double swing gate locking with electric latch plate  
Κλείδωμα δίφυλλης ανοιγόμενης αυλόπορτας με ηλεκτρικό κηφί

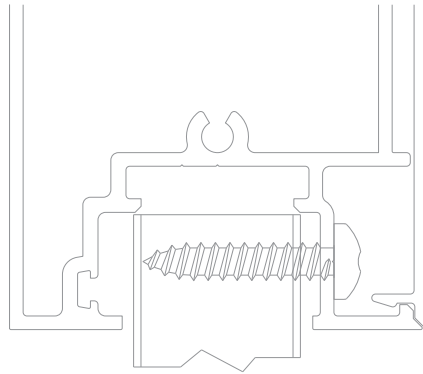


Locking Side  
Πλευρά κλειδώματος

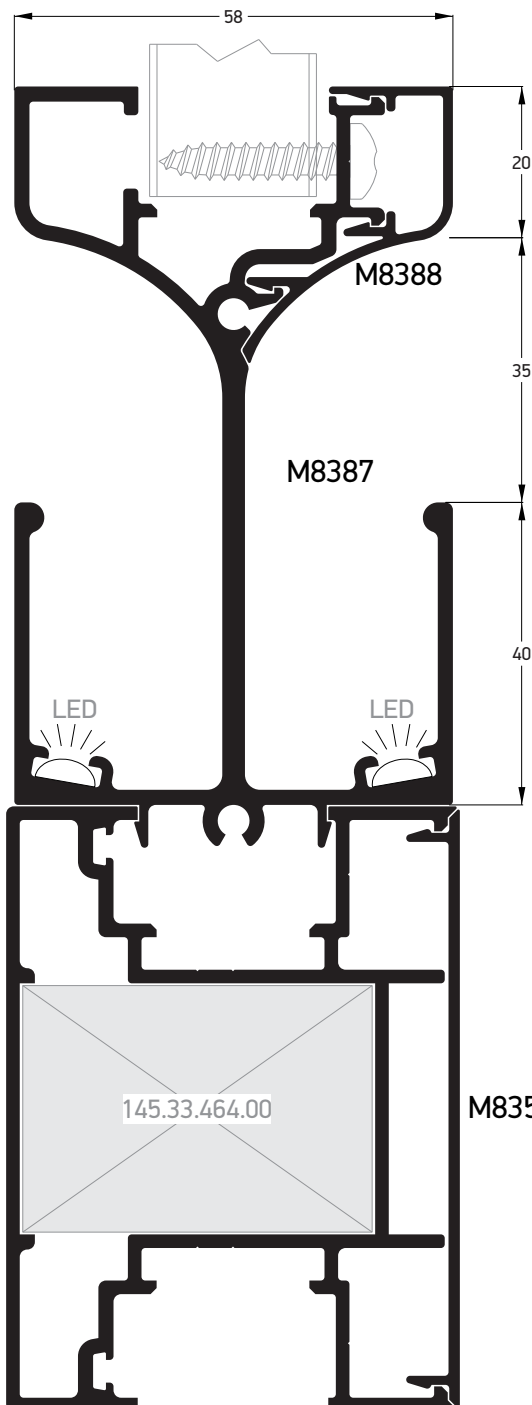
Hidden gate handle  
Κρυφό χειρούλι αυλήπορτας



M8362

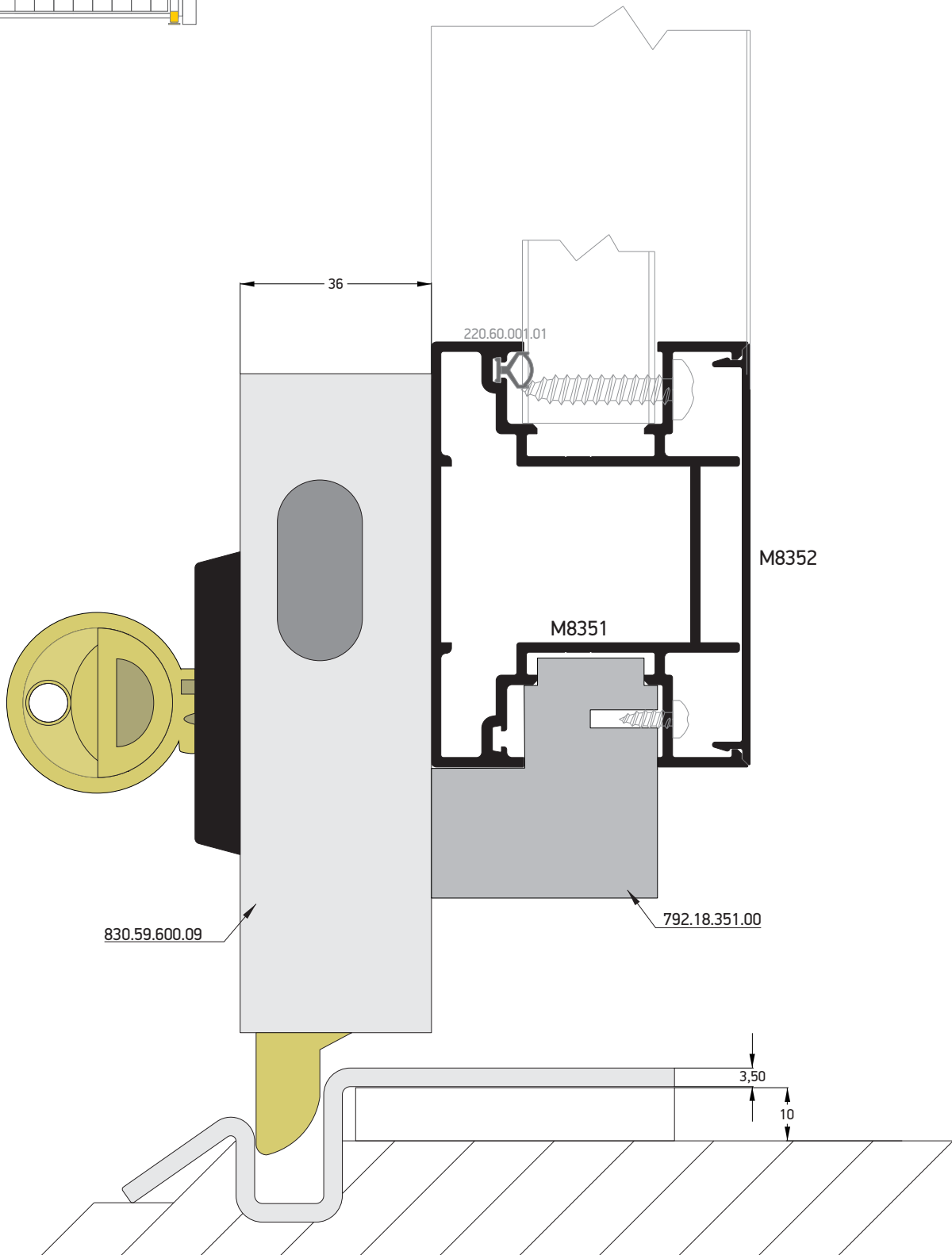
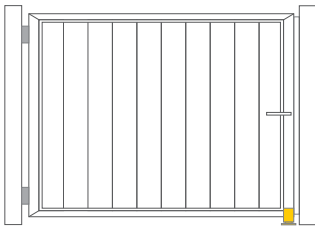


M8352



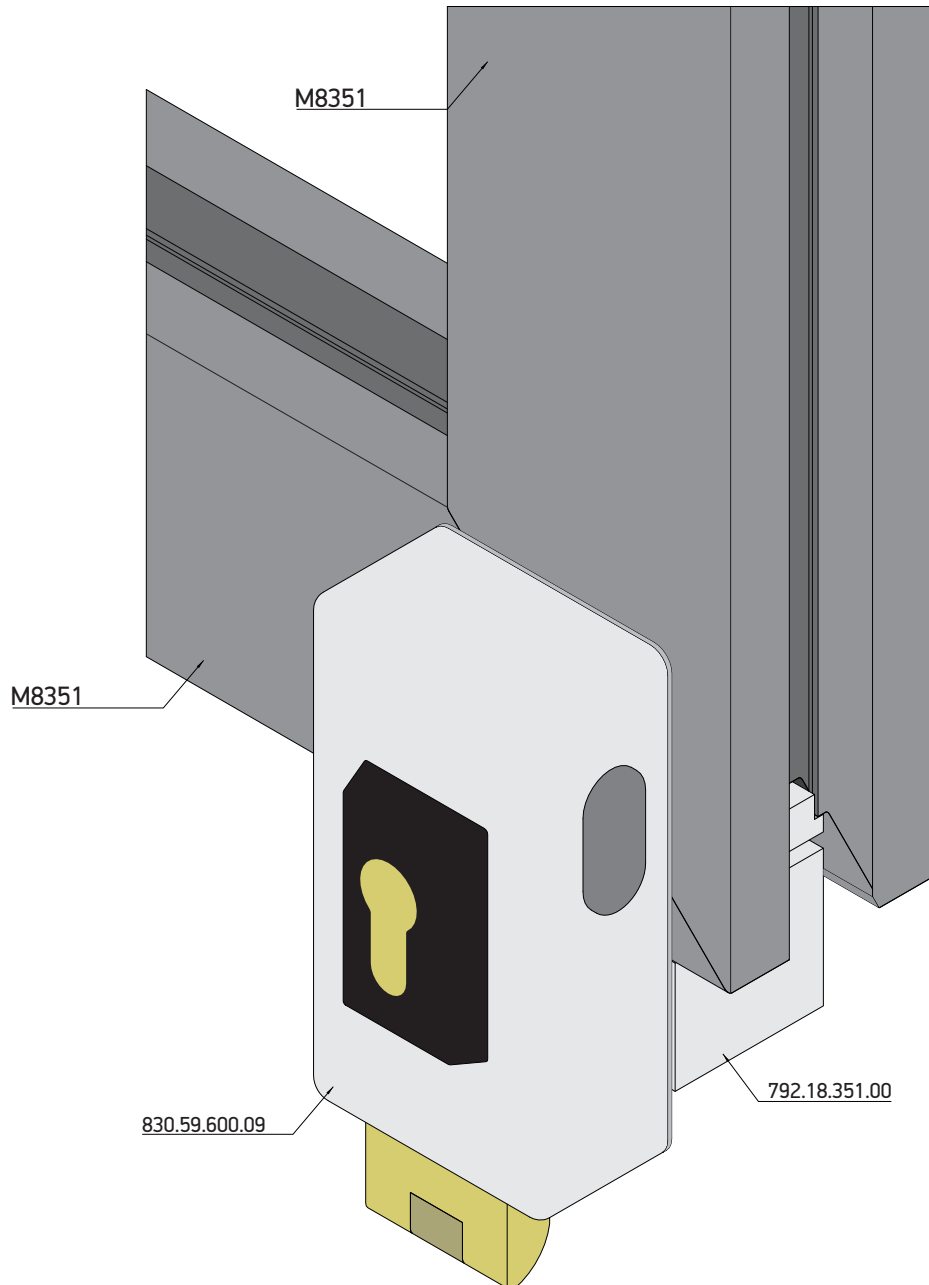
Locking Side  
Πλευρά κλειδώματος

Swing gate lock on the floor  
Επιδαπέδιο κλείδωμα ανοιγόμενης αυλόπορτας



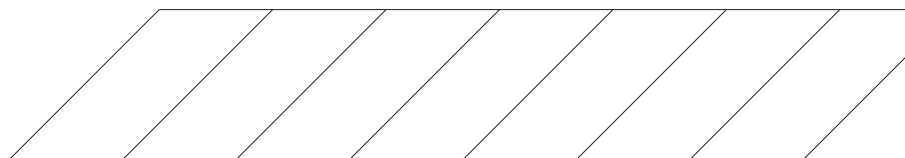
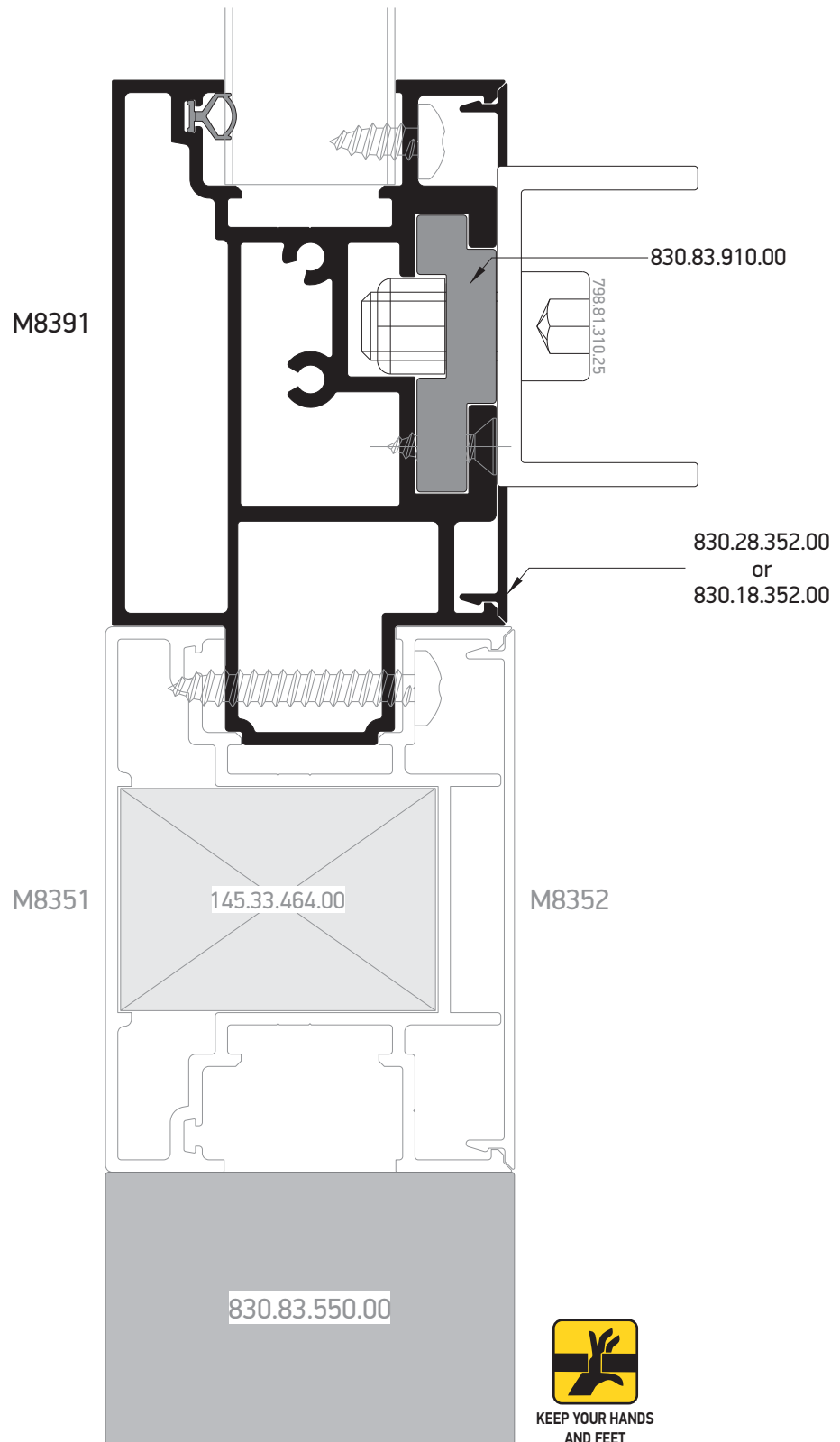
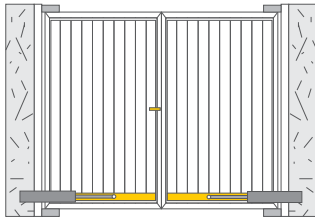
Locking Side  
Πλευρά κλειδώματος

Swing gate lock on the floor  
Επιδαπέδιο κλείδωμα ανοιγόμενης αυλόπορτας



Swing gate motor  
installation  
Αυτοματισμός ανοιγόμενης  
αιθόπορτας

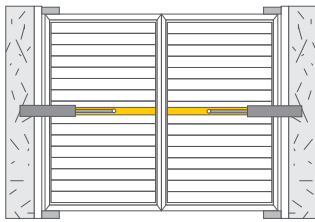
Swing Gate for motor installation profile  
Προφίλ για ανοιγόμενη αιθόπορτα και εγκατάσταση μοτέρ



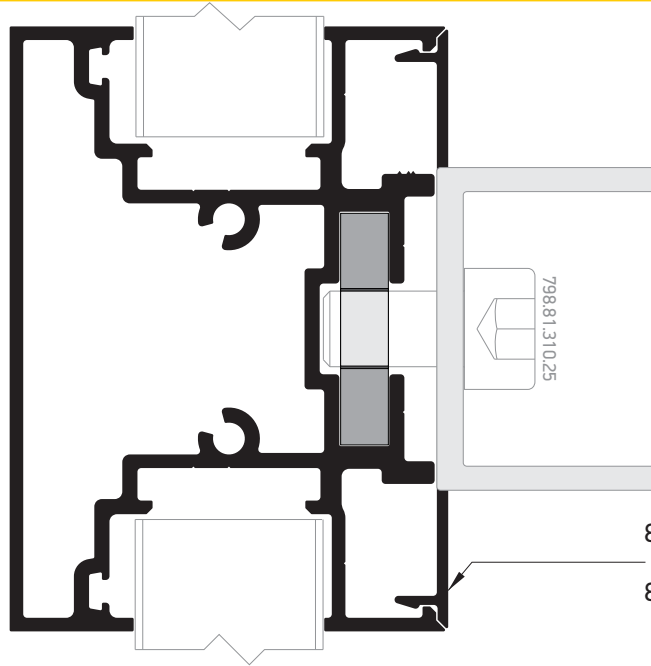


Swing gate motor  
installation  
Αυτοματισμός ανοιγόμενης  
αυλόπορτας

Intermediate transom for motor  
Ενδιάμεση τραβέρσα για την εγκατάσταση του μοτέ



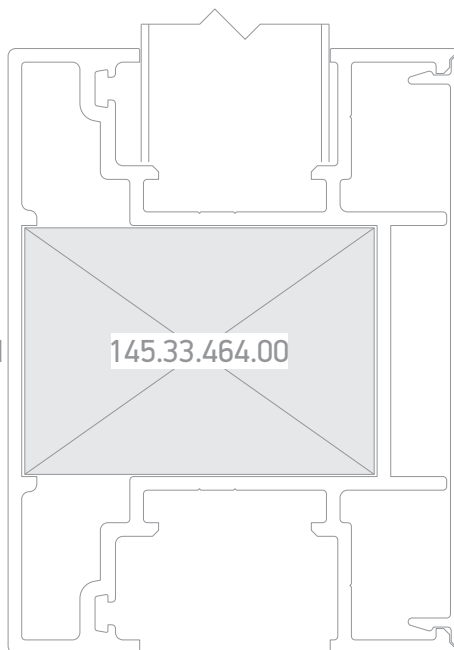
M8400



798.81.310.25

830.84.002.00  
or  
830.84.001.00

M8351



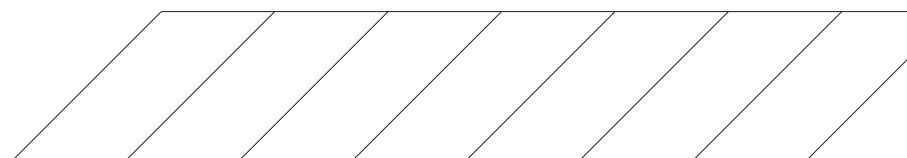
145.33.464.00

M8352

830.83.550.00

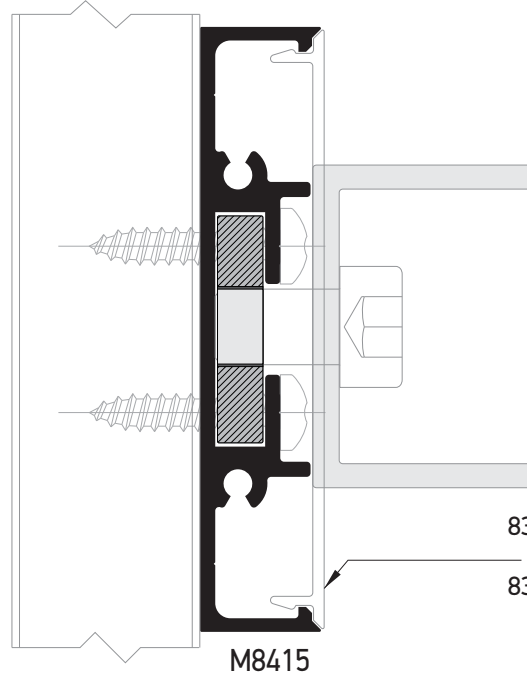
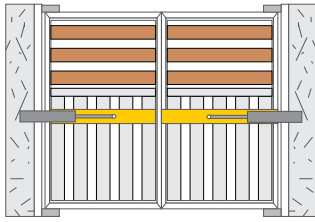


KEEP YOUR HANDS  
AND FEET  
CLEAR OF THE GATE



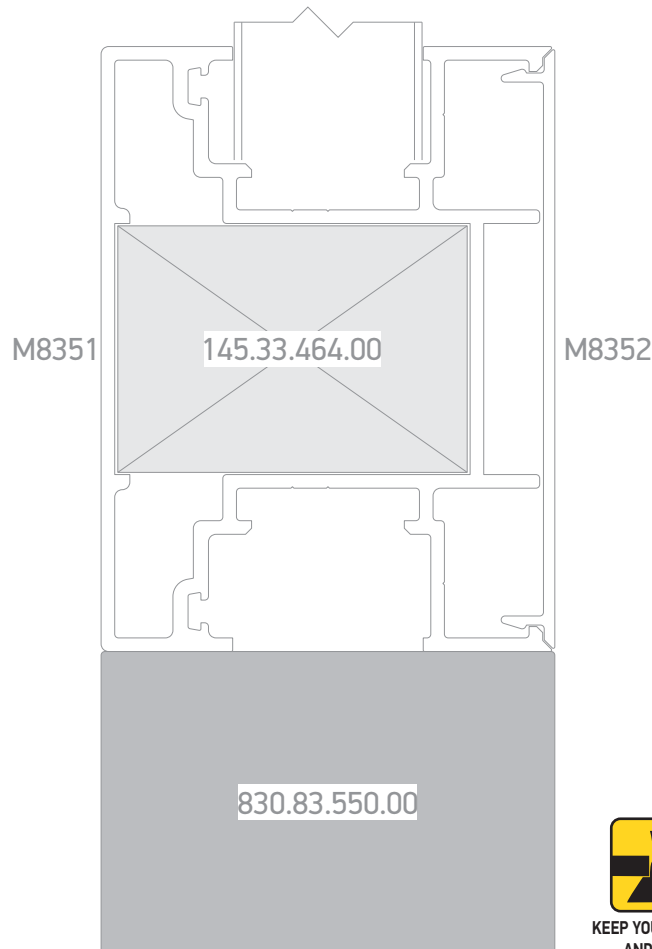
Swing gate motor  
installation  
Αυτοματισμός ανοιγόμενης  
αυλόπορτας

Intermediate motor transom nstallation to louvers  
Ενδιάμεση τραβέρσα για την εγκατάσταση του μοτέρ σε περσίδες



830.84.002.00  
or  
830.84.001.00

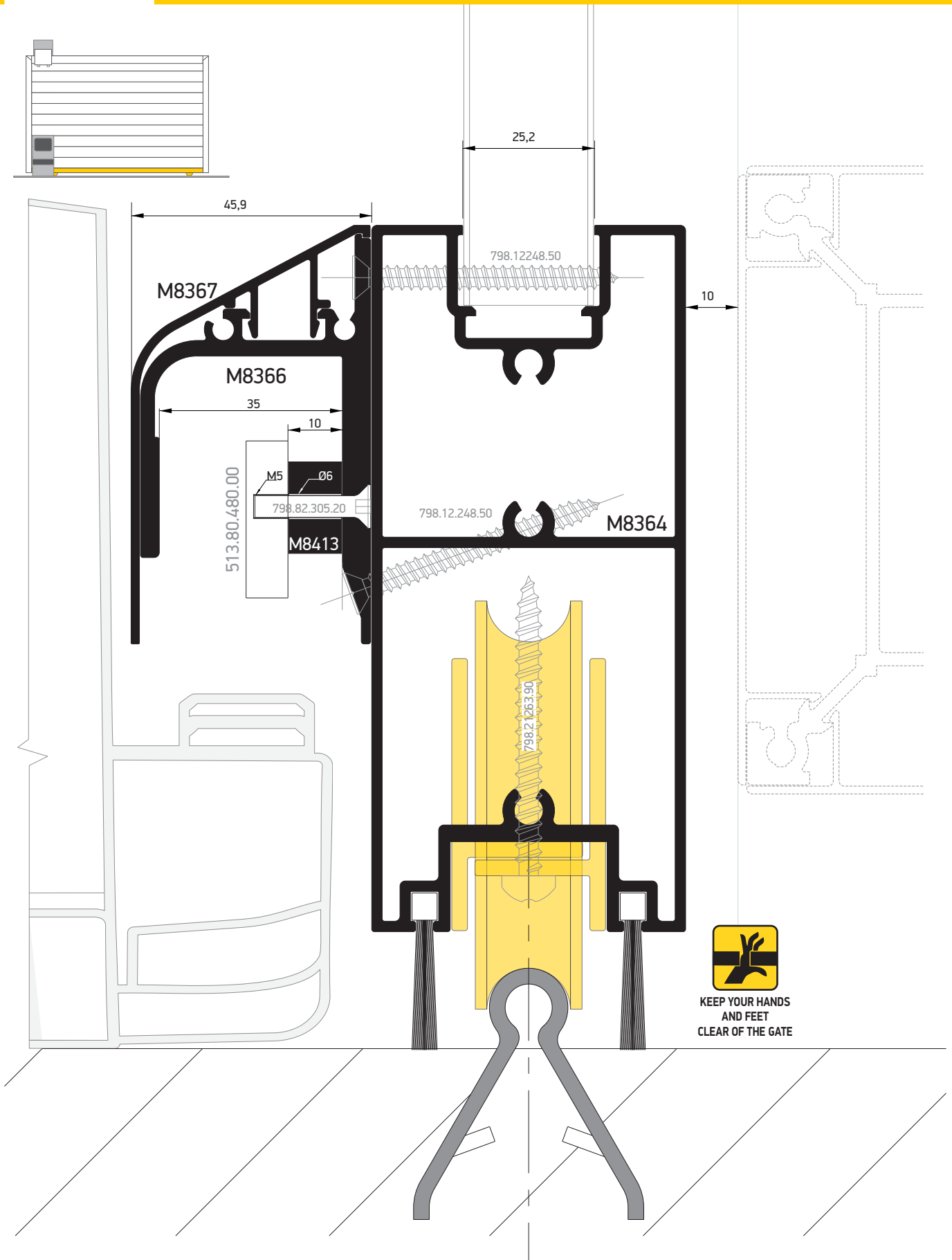
M8415



KEEP YOUR HANDS  
AND FEET  
CLEAR OF THE GATE

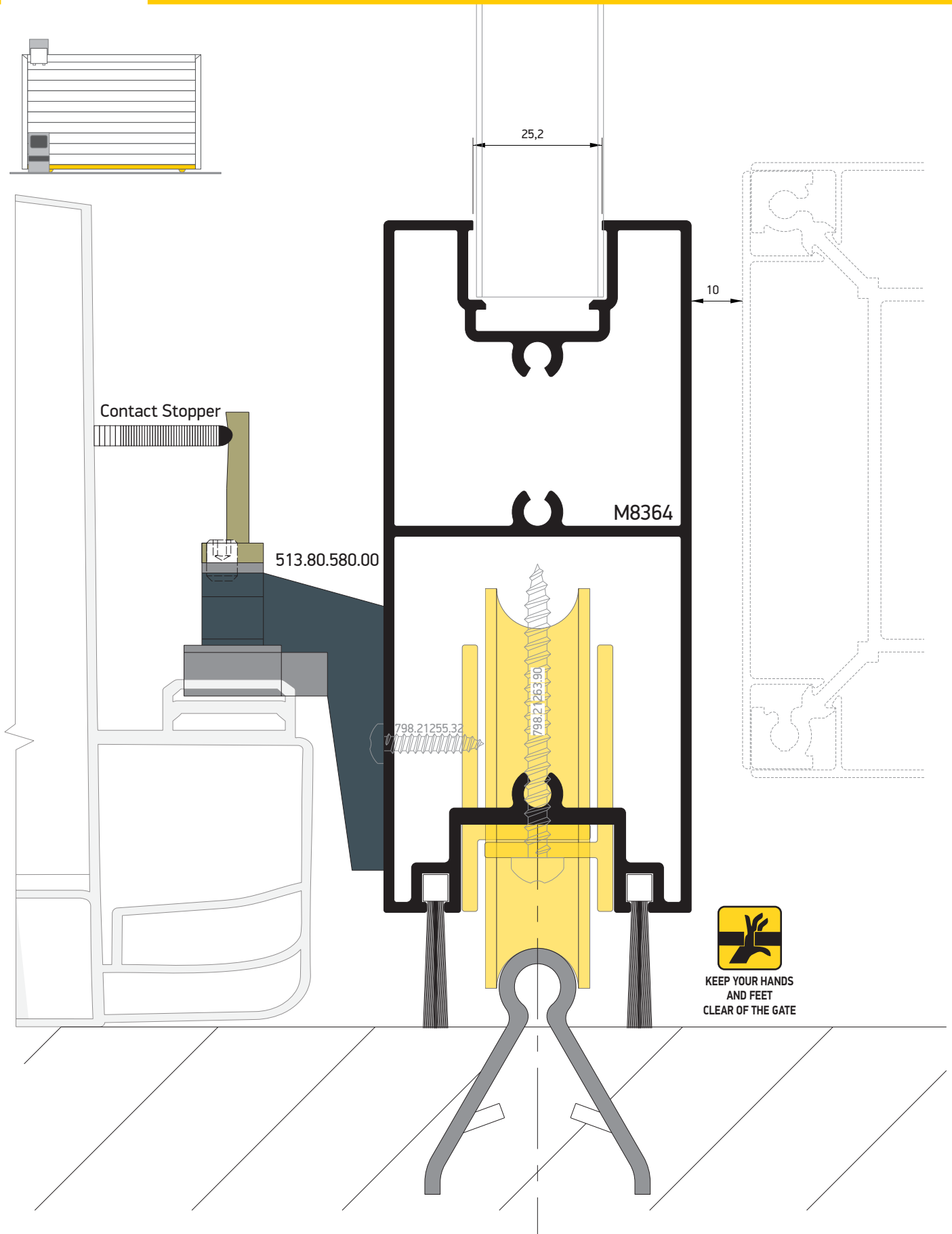
Sliding gate's bottom rail  
Κάτω φύλλο συρόμενης  
αυλόπορτας

Installation details of automatic sliding gate's SLH400 motor rail  
Λεπτομέρειες οδηγού SLH400 μοτέρ αυτόματης συρόμενης αυλόπορτας



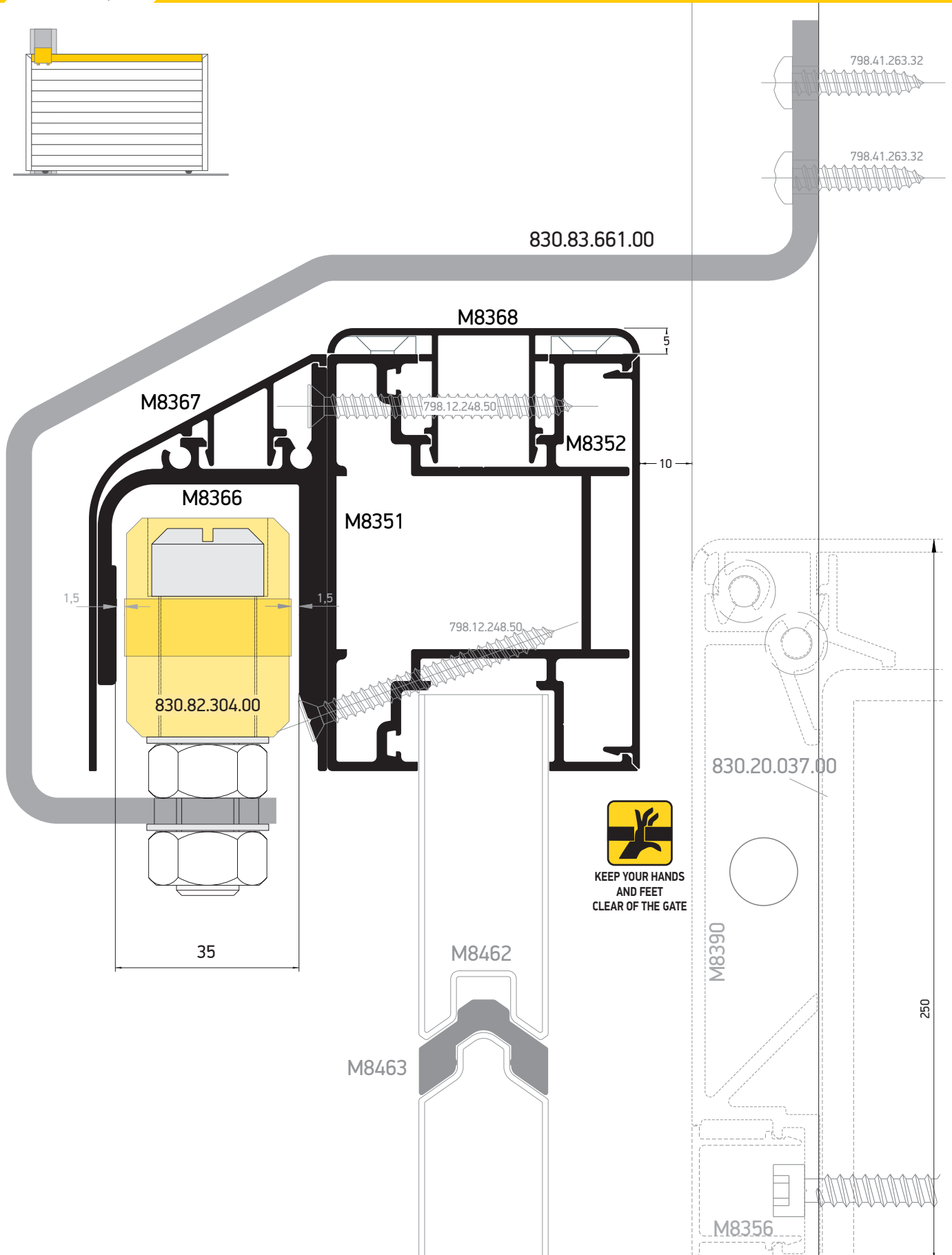
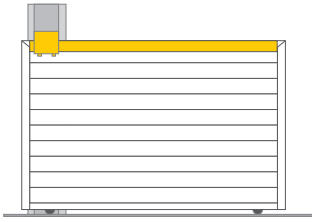
Sliding gate's bottom rail  
Κάτω φύλλο συρόμενης  
αυλήορτας

Installation details of automatic sliding gate's ROAD400 και Elixo Smart IO motor rail  
Λεπτομέρειες οδηγού ROAD400 και Elixo Smart IO μοτέρ αυτόματης συρόμενης αυλήορτας



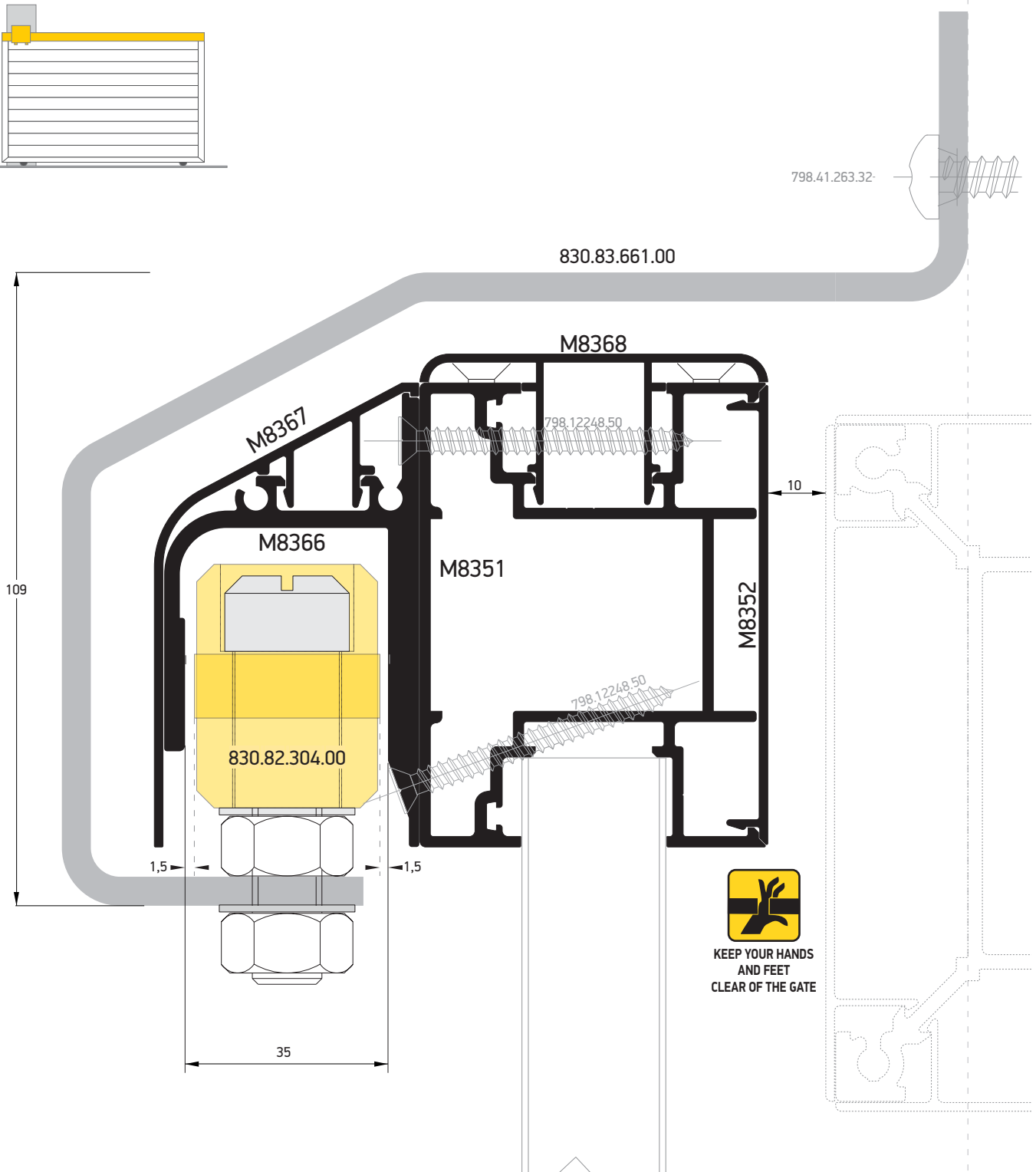
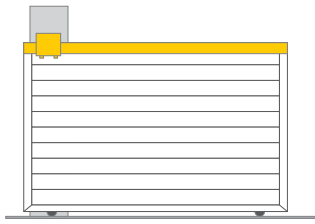
Sliding gate's top rail  
Επάνω φύλλο συρόμενης  
αυλόπορτας

Sliding gate's guiding support mounted on 250mm metal core mullion  
Οδηγός συρόμενης αυλόπορτας για κοιλόνια 250mm μεταλλικού κοιλοδοκού



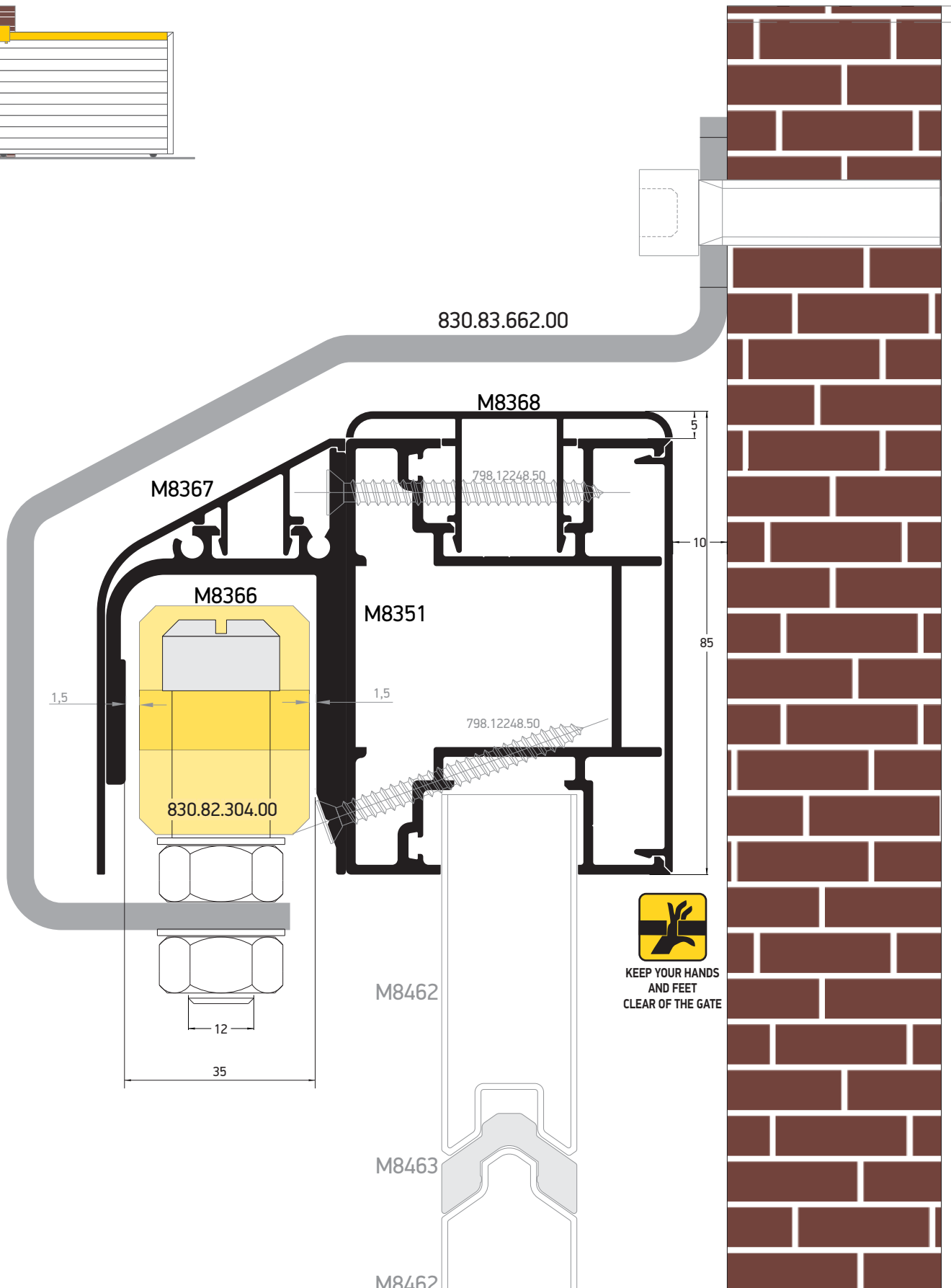
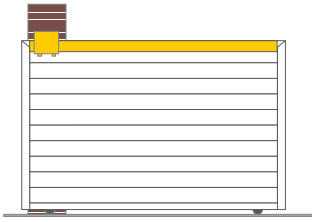
Sliding gate's top rail  
Επάνω φύλλο ασρόμενης  
αυλόπορτας

Sliding gate's guiding support mounted on 250mm concrete mullion  
Οδηγός ασρόμενης αυλόπορτας για 250mm τσιμεντοκολόνα



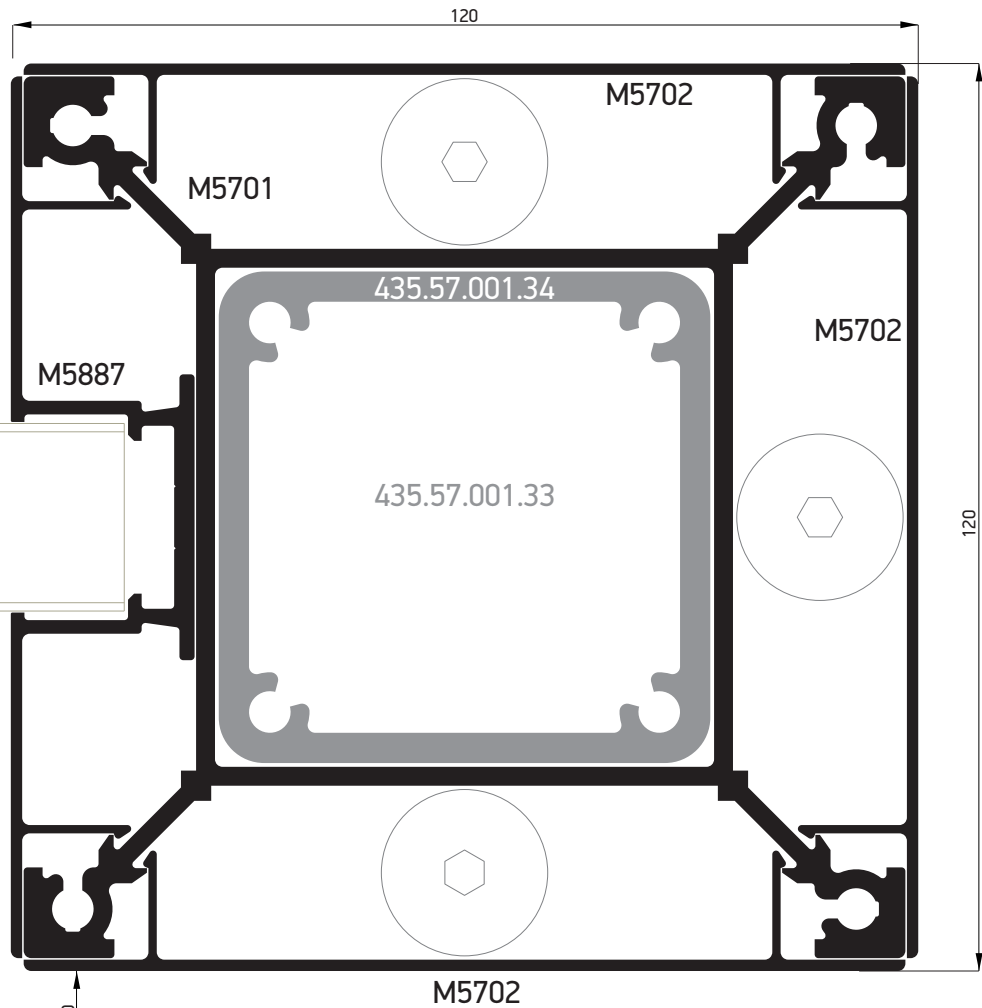
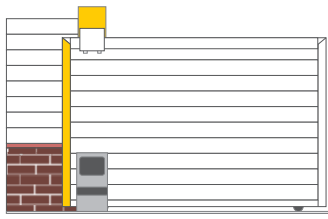
Sliding gate's top rail  
Επάνω φύλλο συρόμενης  
αυλόπορτας

Sliding gate's guiding support mounted on 250mm concrete mullion  
Οδηγός συρόμενης αυλόπορτας για κολλόνα 250mm τσιμεντένιου τοιχίου

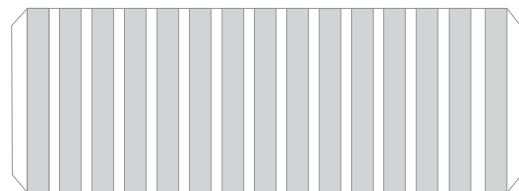
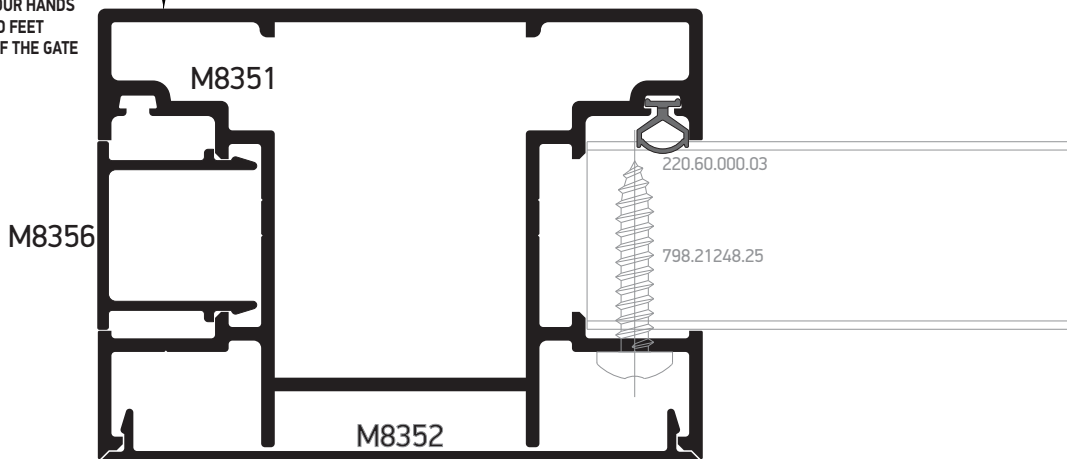


Sliding gate 120mm post  
Συρόμενη αυλόπορτα  
120mm κοιλόνα

Sliding gate's guiding support mounted on 120mm  
Οδηγός συρόμενης αυλόπορτας για κοιλόνα 120mm



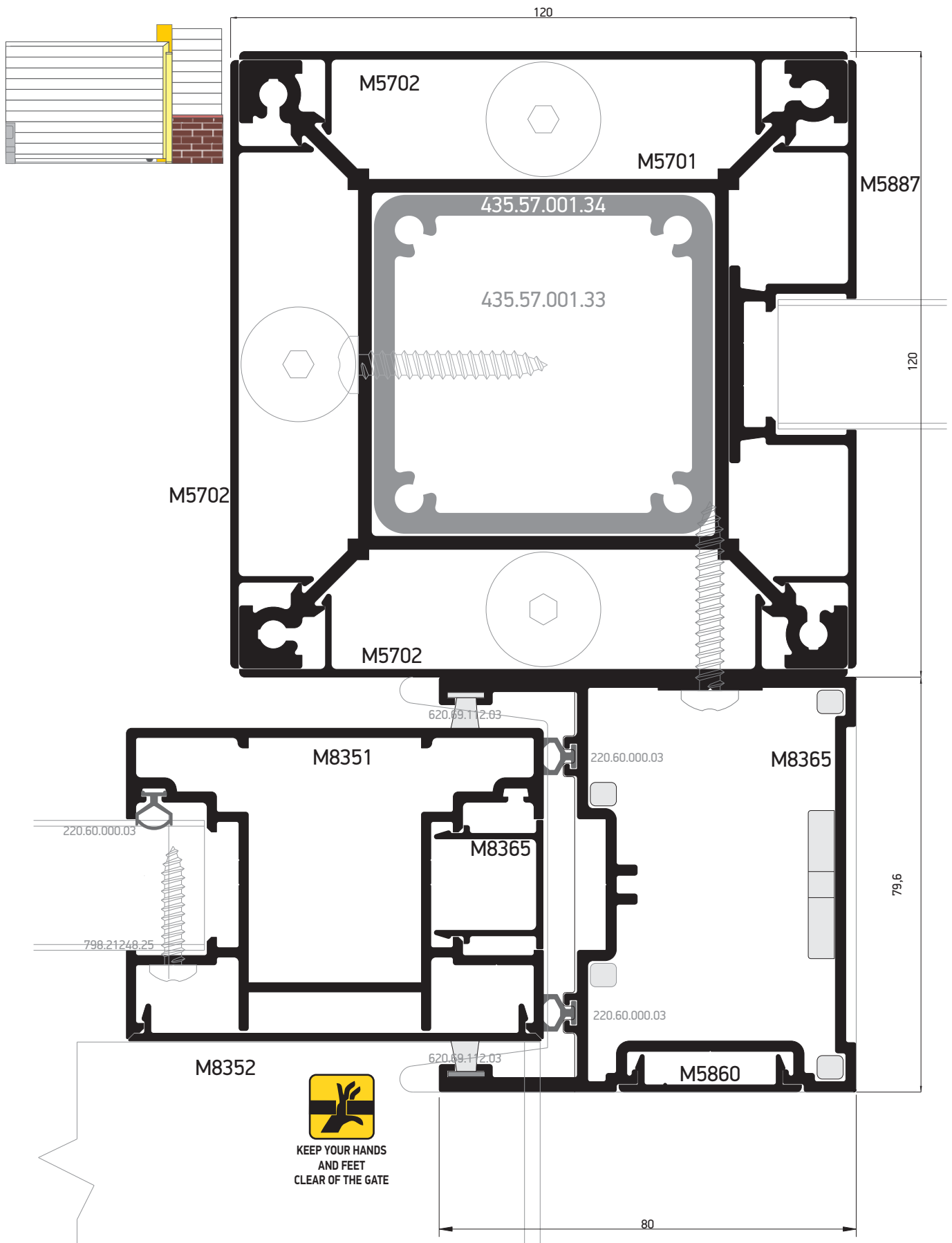
KEEP YOUR HANDS  
AND FEET  
CLEAR OF THE GATE





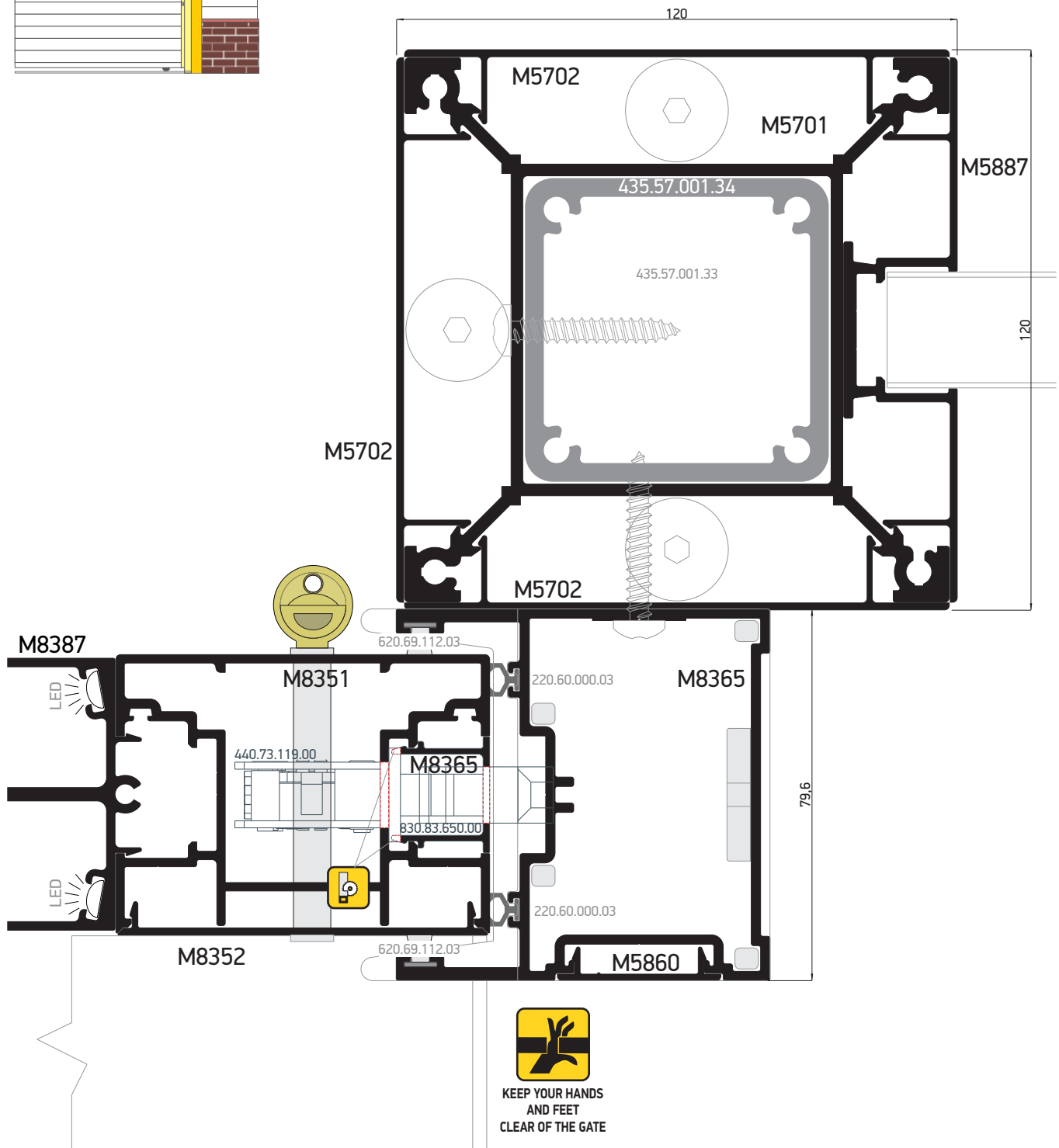
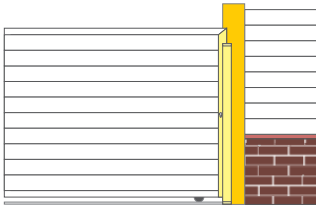
Sliding gate's locking side  
Συρόμενη αυλόπορτα,  
πλευρά κλειδώματος

Automatic sliding gate's locker profile  
Προφίλ κλειδαριάς αυτόματης συρόμενης αυλόπορτας



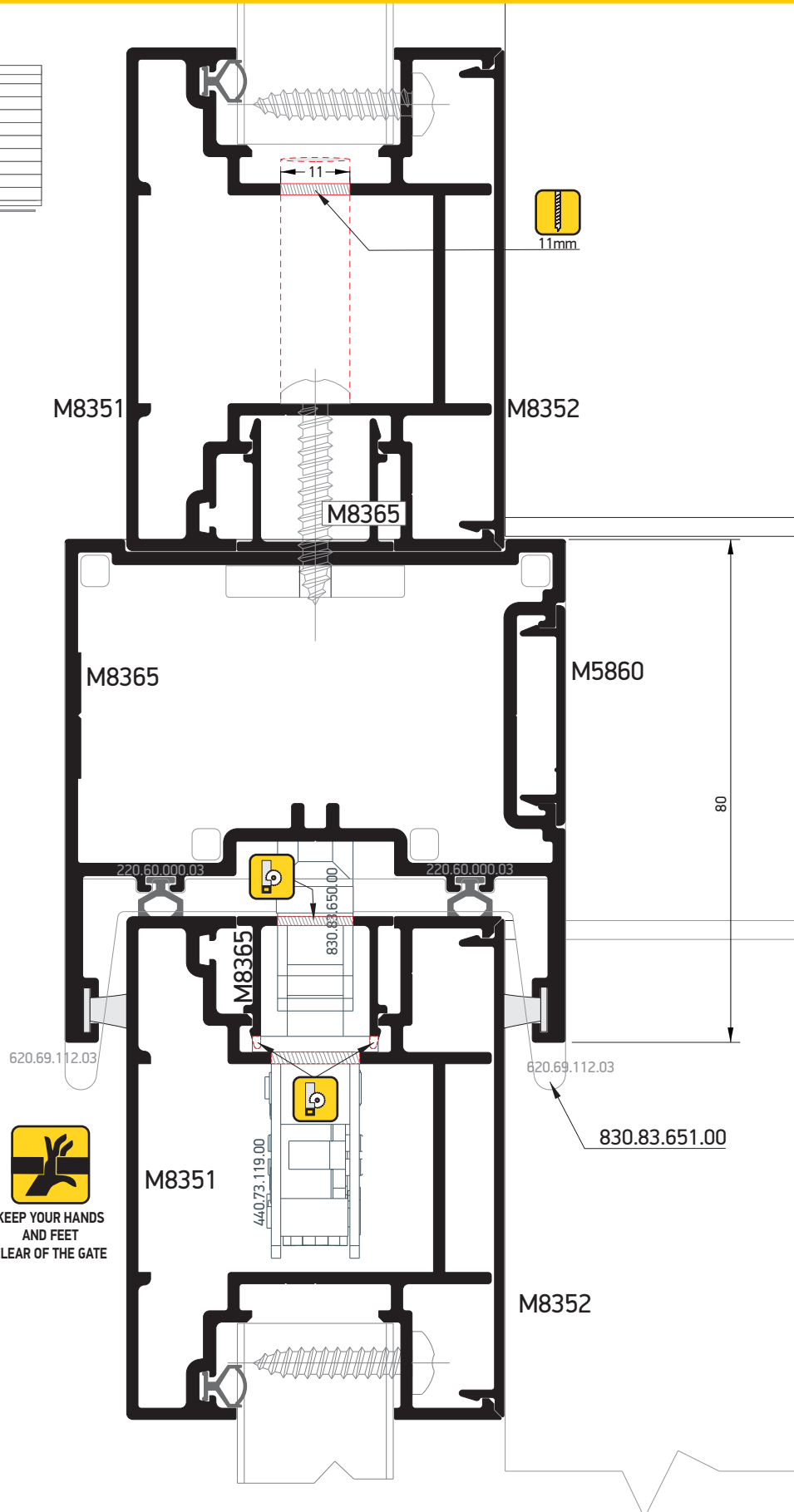
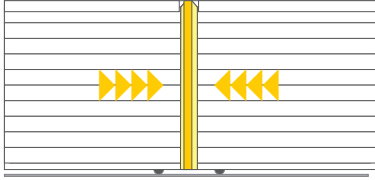
Sliding gate's locking side  
Συρόμενη αυλόπορτα,  
πλευρά κλειδώματος

Manual sliding gate's locker profile  
Προφίλ κλειδαριάς συρόμενης αυλόπορτας

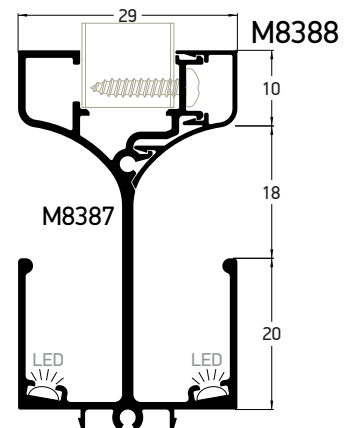
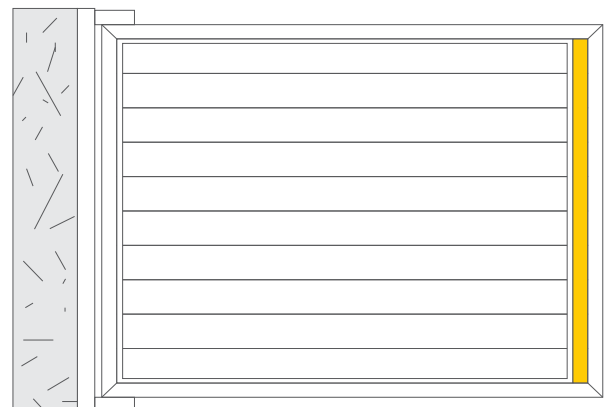
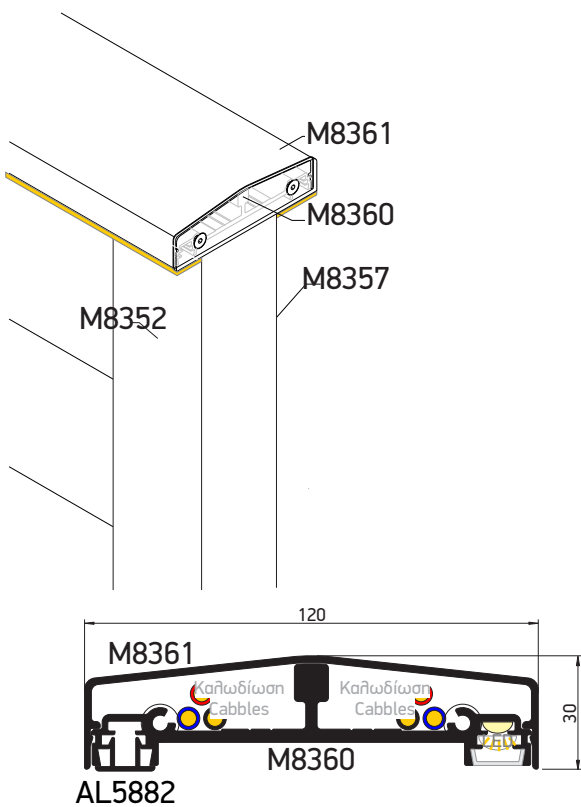
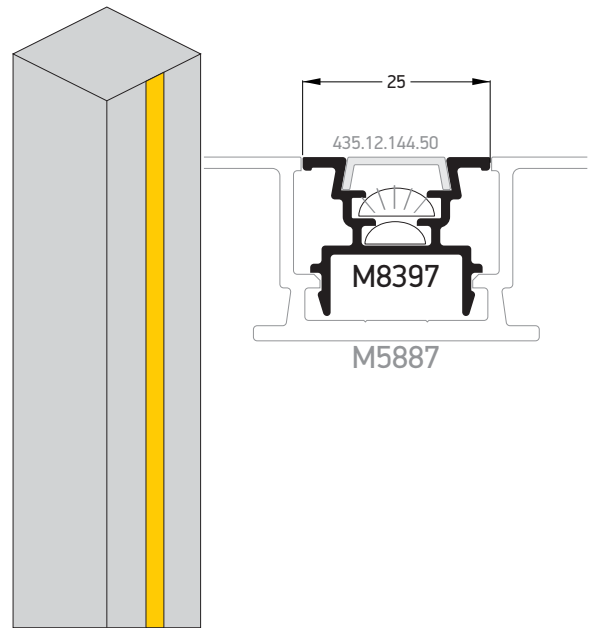
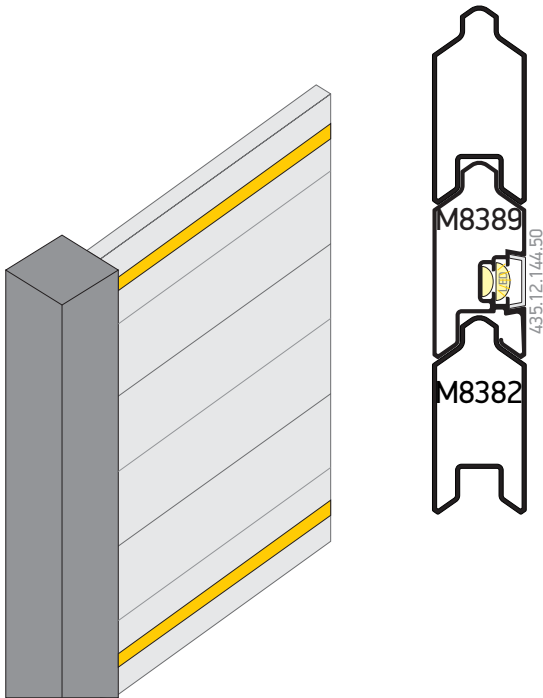



Double gate  
Δίφυλλη συρόμενη

Double sliding gate's locker profile  
Προφίλι κλειδαριάς δίφυλλης συρόμενης συλόπορτας



  
KEEP YOUR HANDS  
AND FEET  
CLEAR OF THE GATE

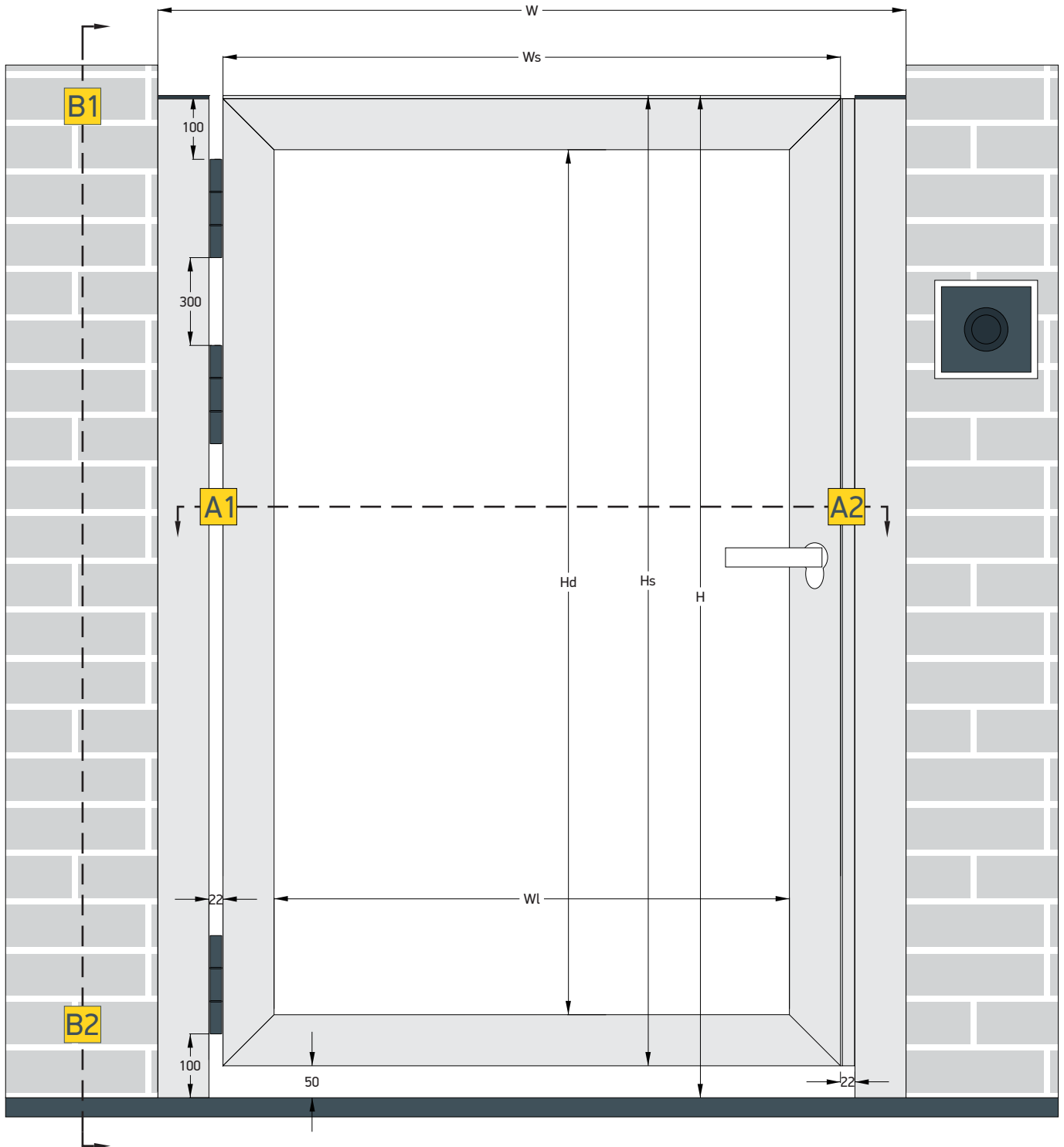


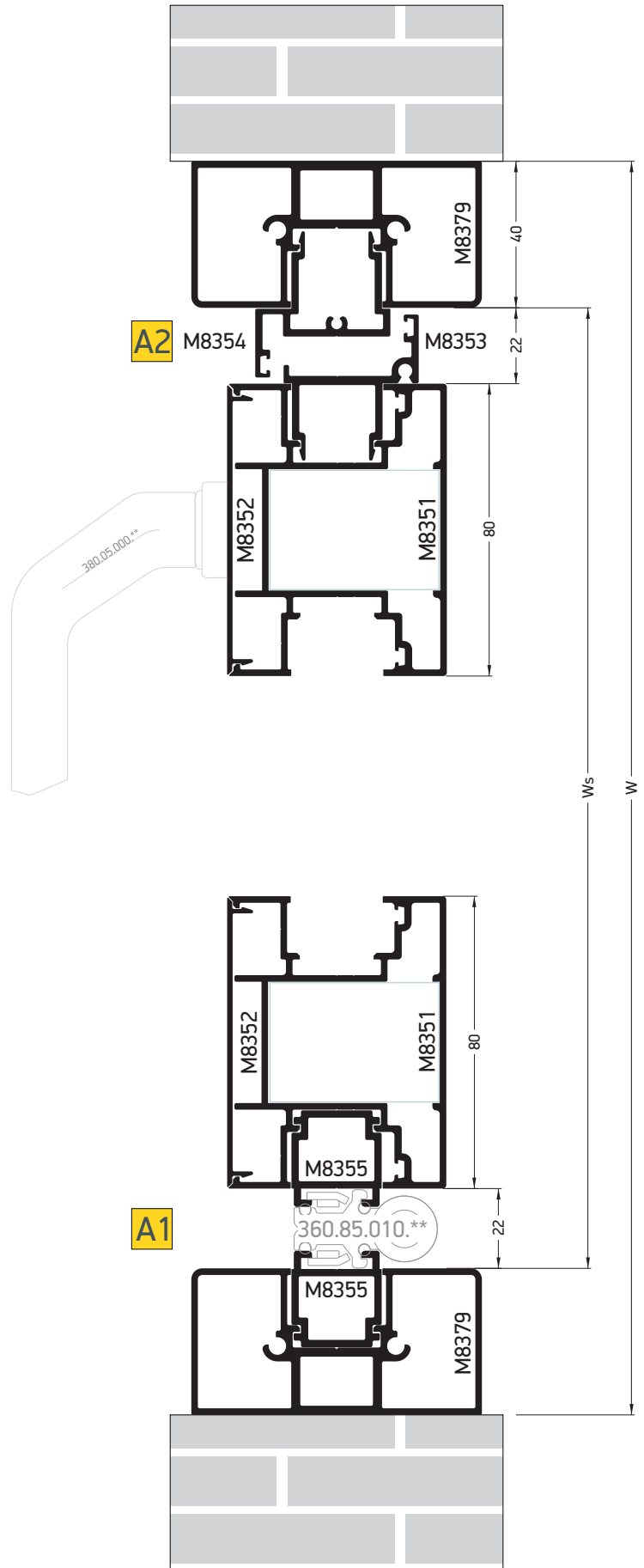
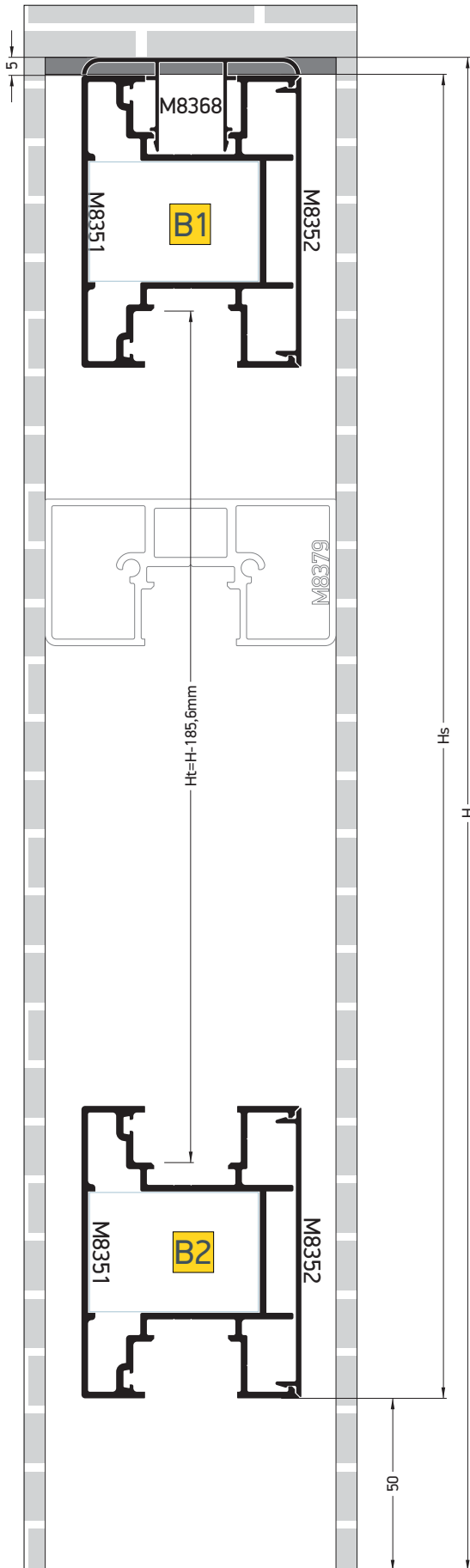
A decorative graphic on the left side of the page, consisting of several overlapping diagonal stripes in shades of yellow and orange, extending from the top left towards the bottom right.

# Basic Typologies Βασικές τυπολογίες

Swing automatic single gate with card and tranponder badges NICE  
 Ανοιγόμενη αυλόπορτα με κάρτα και μπρελόκ ανάγνωσης της NICE

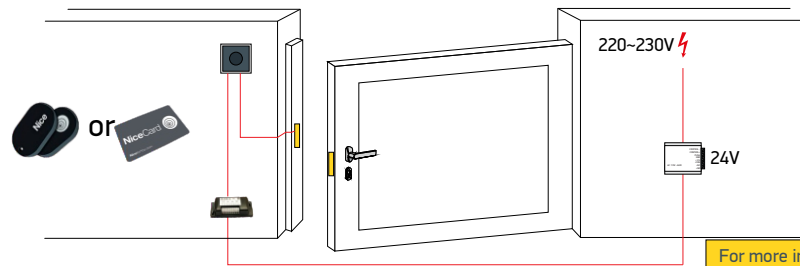
Nice





Code/ Κωδικός	Image/ εικόνα	Description	Περιγραφή	Cutting/Κοπές	Quantity/ Ποσότητα
M8379		Half size gate post for pillars	Ορθοστάτης πόρτας για επιτοίχια στήριξη		2
M8355		Insert profile for hinges (for M8379)	Πρόσθετο προφίλ μεντεσέ (για M8379)		1
		Insert hinge profile for sash	Πρόσθετο προφίλ μεντεσέ φύλλου		1
M8351		Left gate's sash	Φύλλο αυλόπορτας αριστερό		1
		Right gate's sash	Φύλλο αυλόπορτας δεξί		1
		Top and bottom gate's sash	Πάνω και κάτω φύλλο αυλόπορτας		2
M8352		Left cap for gate's sash	Αριστερό καπάκι φύλλου αυλόπορτας		1
		Right cap gate's sash	Δεξί καπάκι φύλλου αυλόπορτας		1
		Cap for top and bottom gate's sash	Καπάκι πάνω και κάτω φύλλου αυλόπορτας		2
M8368		Top rail	Προφίλ κουραστής αυλόπορτας		1
*M8356		Gate's sash cover cap	Καπάκι φύλλου πόρτας		1
M8353		Insert profile for lock	Μπινί πόρτας κλειδαριάς		1
M8354		Insert profile for striker	Μπινί πόρτας αντικρίσματος		1



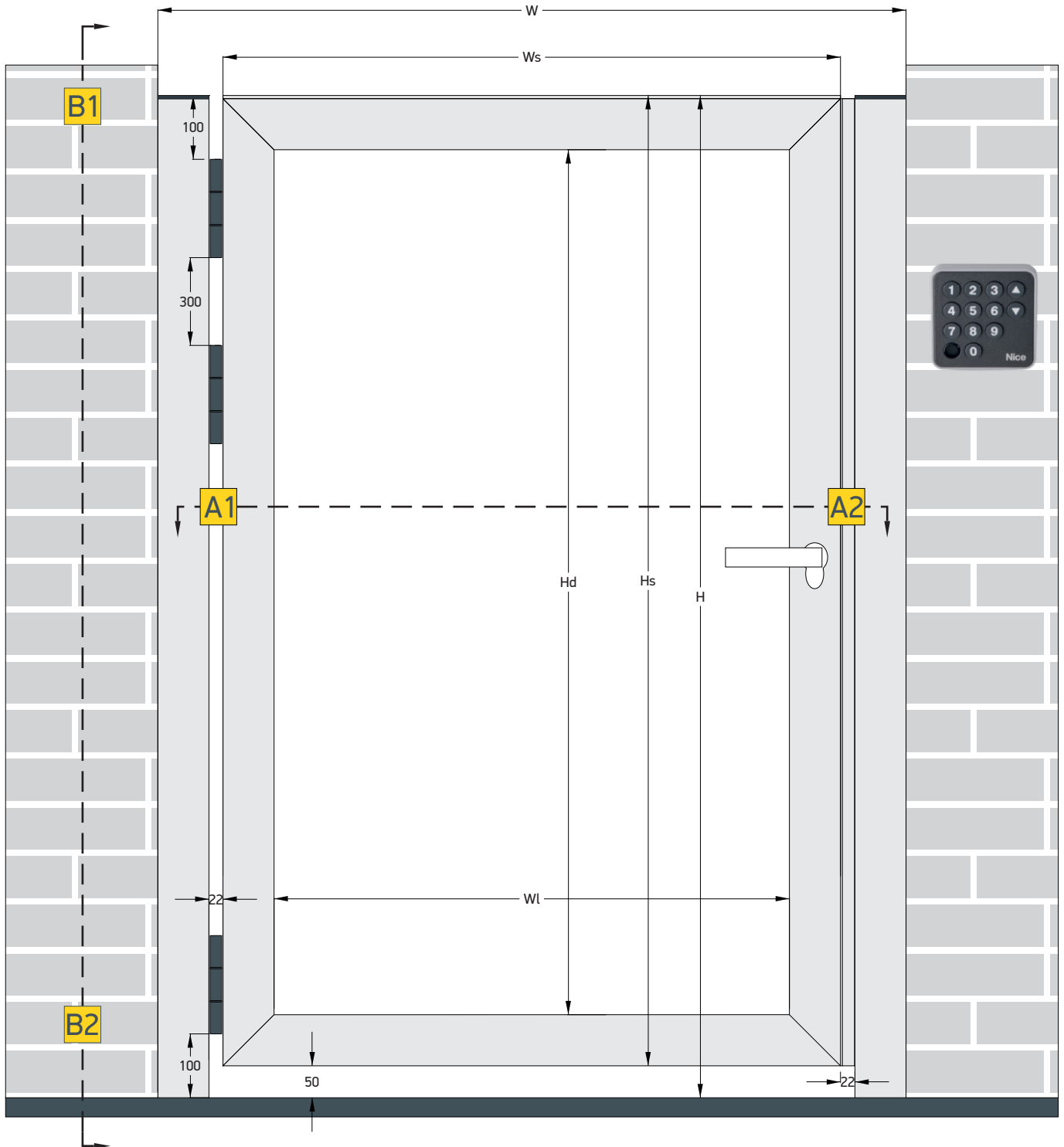


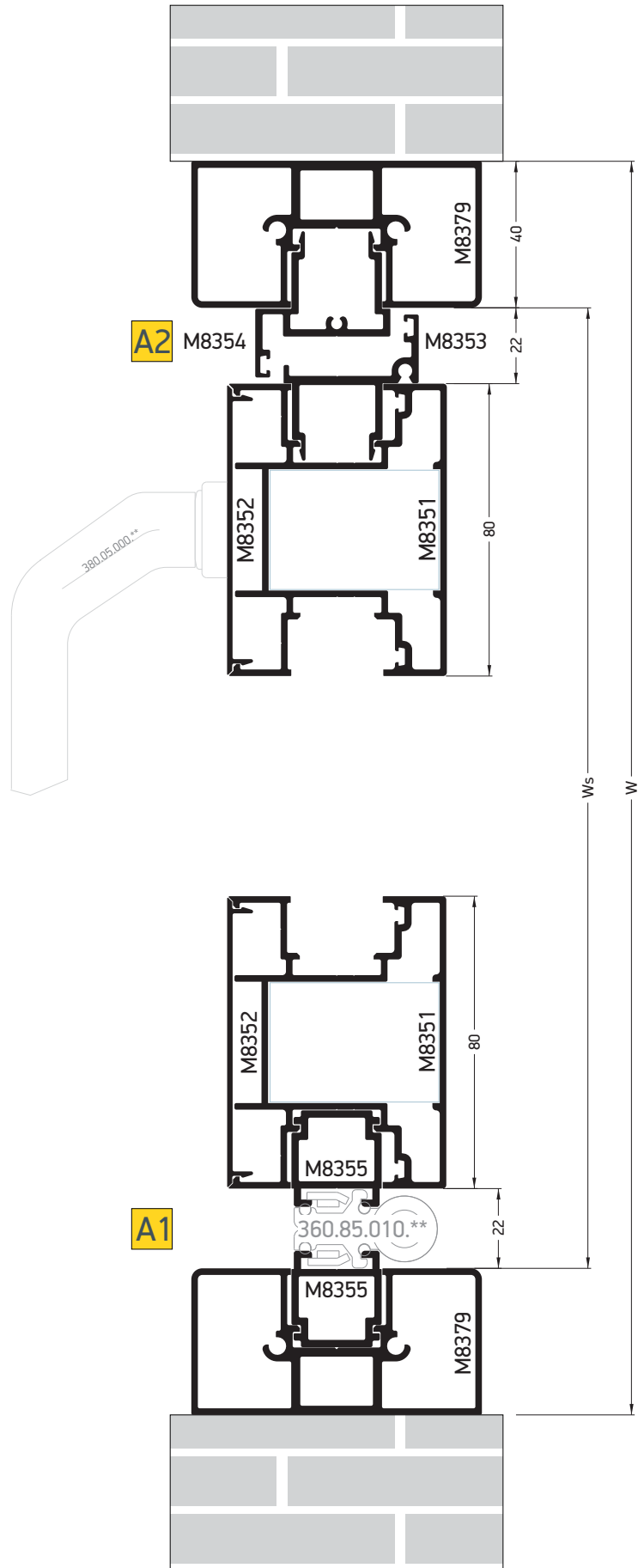
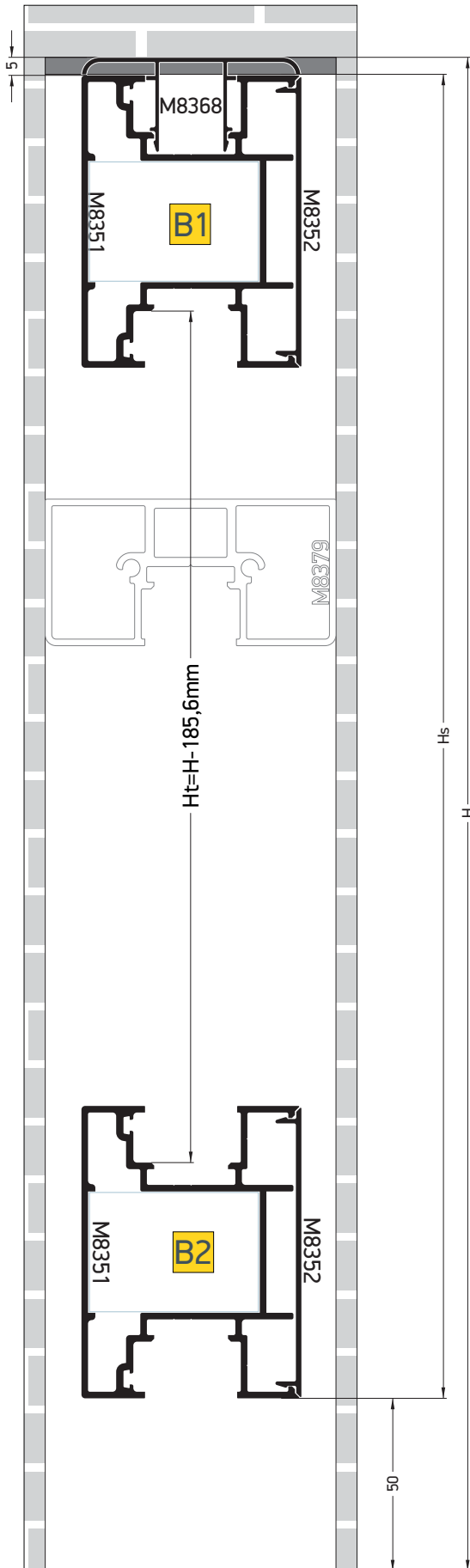
For more information please refer to:  
MORX with Card reader and electric strike plate.  
Για περισσότερες πληροφορίες ανατρέξτε στο:  
MORX με συσκευή ανάγνωσης καρτών και ηλ.κλειδί.

Code/ Κωδικός	Image/ εικόνα	Description/ Περιγραφή	Qty/ Τεμ.	Code/ Κωδικός	Image/ εικόνα	Description/ Περιγραφή	Qty/ Τεμ.
145.33.464.00		Crimp and nail corner cleat 33,2x46,8mm Γωνία σύνδεσης χυτή. πρεσαριστή καρφ. 33,2x46,8mm	4	830.83.531.00		Pair of caps for lock profile M8353 Τάπα για προφίλ κλειδαριάς M8353 ανοιγόμενης αυλόπορτας	1
470.63.200.00		Screws for Monticelli corner 145.33.464.00 Βίδες για γωνίες Monticelli 145.33.464.00	8	830.83.541.00		Pair of caps for striker's insert profile M8354 Τάπα για μινι αντίκρισματος M8354 ανοιγόμενης αυλόπορτας	1
830.83.680.00		Injury protection fitting Προστατευτική τάπα	2	830.83.551.00		Pair of caps for hinge profile M8355 Τάπα για προφίλ μεντεσέ M8355	1
830.83.790.00		End cap for M8379 half post Τάπα μισής κοιλόνας M8379	2	830.52.018.00		ETR Transponder proximity reader for card and badges Αναγνώστης εγγύτητας κάρτας και τα ηλ. κλειδιών	1
360.85.010.45		Door Hinge Αηλός Μεντεσές πόρτας	3	830.20.080.00		Power supply control Έλεγχος παροχής ηλεκτρικού ρεύματος	1
360.85.010.33							
485.05.450.00		Spacer for strike hook Αποστάτης αντίκρισματος κλειδαριάς		830.43.418.00		Nice MORX Decoder Decoder for EDS, EDSI, ETP Αποκωδικοποιητής Nice MORX για EDS, EDSI, ETP	1
485.03.450.00							
440.00.450.00		Single point latch lock 45/85/22/3 Κλειδαριά γλώσσα μονού σημείου 45/85/22/3	1	830.81.921.00		Transponder badge key Μπρελόκ κλειδιά ανάγνωσης	
460.34.040.00		Cylinder 80mm 35.10.35 (40/40) Μύλος κλειδαριάς 80mm 35.10.35 (40/40)	1	830.31.584.00		Nice MOCARD Transponder card NiceMOCARD Κάρτα ανάγνωσης	
485.16.219.00		Adjustable electric latch plate Ηλεκτρικό κυρίδι ρυθμιζόμενο	1	220.60.000.03		Bubble gasket 7mm Ελαστικό φούσκα 7mm Ελαστικό μαύρο	
380.97.610.xx		8mm pin door handle Λαβή πόρτας με ροζέτα 8mm	1				
415.62.986.00		Concealed cable duct automatic A-opener Κρυφός σωλήνας καλωδίου automatic A-opener	1				

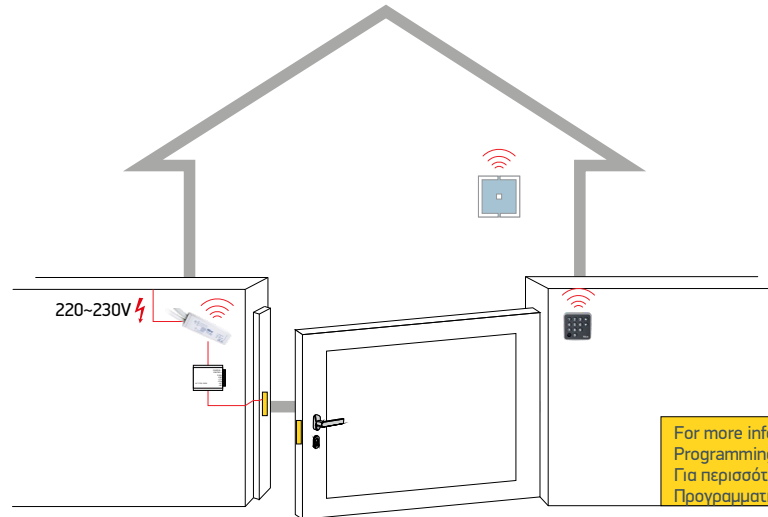
Swing automatic single gate with wireless digital switch  
 Ανοιγόμενη αυλόπορτα με ασύρματο ψηφιακό διακόπτη

Nice



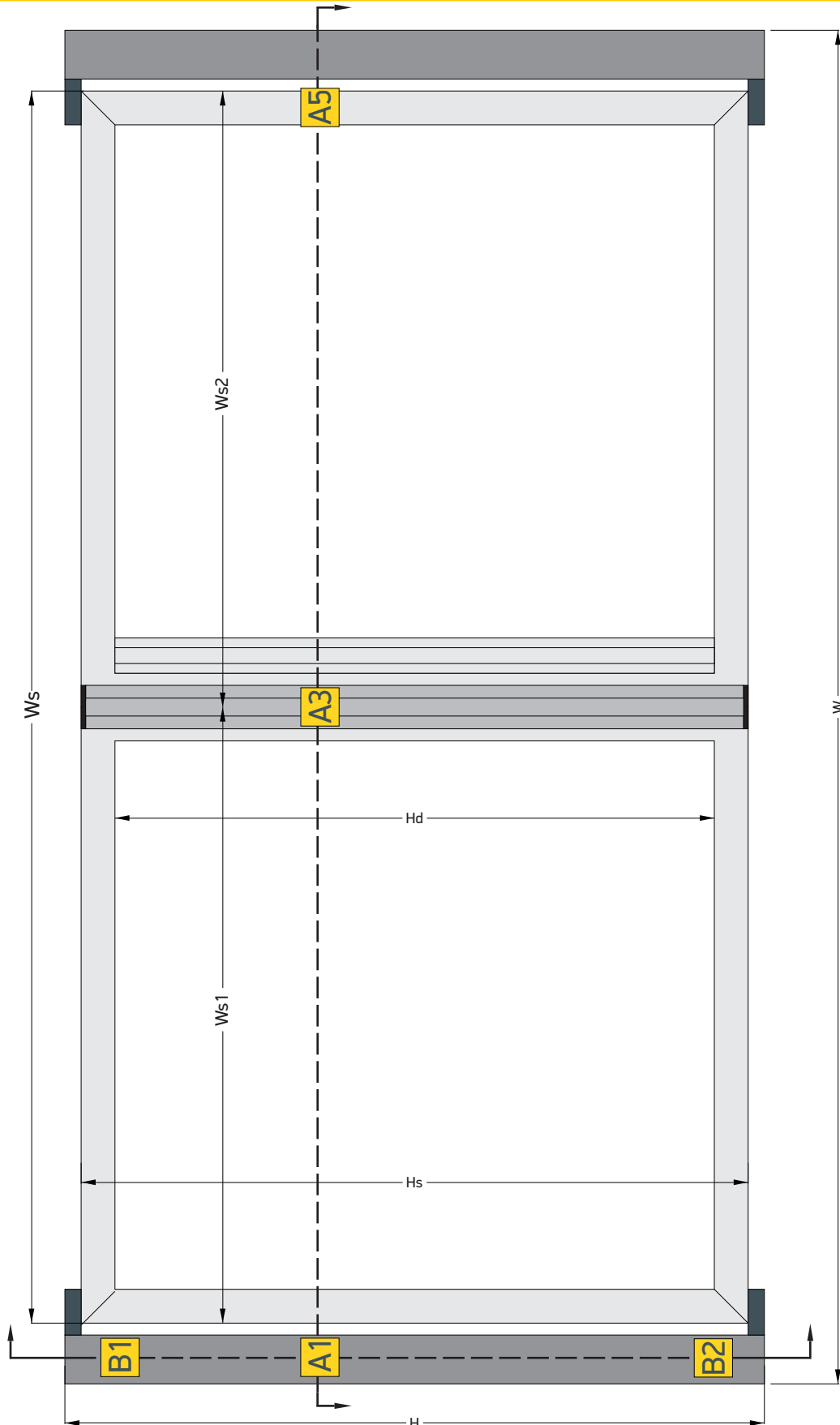


Code/ Κωδικός	Image/ εικόνα	Description	Περιγραφή	Cutting/Κοπές	Quantity/ Ποσότητα
M8379		Half size gate post for pillars	Ορθοστάτης πόρτας για επιτοίχια στήριξη		2
M8355		Insert profile for hinges (for M8379)	Πρόσθετο προφίλ μεντεσέ (για M8379)		1
		Insert hinge profile for sash	Πρόσθετο προφίλ μεντεσέ φύλλου		1
M8351		Left gate's sash	Φύλλο αυλόπορτας αριστερό		1
		Right gate's sash	Φύλλο αυλόπορτας δεξί		1
		Top and bottom gate's sash	Πάνω και κάτω φύλλο αυλόπορτας		2
M8352		Left cap for gate's sash	Αριστερό καπάκι φύλλου αυλόπορτας		1
		Right cap gate's sash	Δεξί καπάκι φύλλου αυλόπορτας		1
		Cap for top and bottom gate's sash	Καπάκι πάνω και κάτω φύλλου αυλόπορτας		2
M8368		Top rail	Προφίλ κουπαστής αυλόπορτας		1
*M8356		Gate's sash cover cap	Καπάκι φύλλου πόρτας		1
M8353		Insert profile for lock	Μπινί πόρτας κλειδαριάς		1
M8354		Insert profile for striker	Μπινί πόρτας αντικρίσματος		1



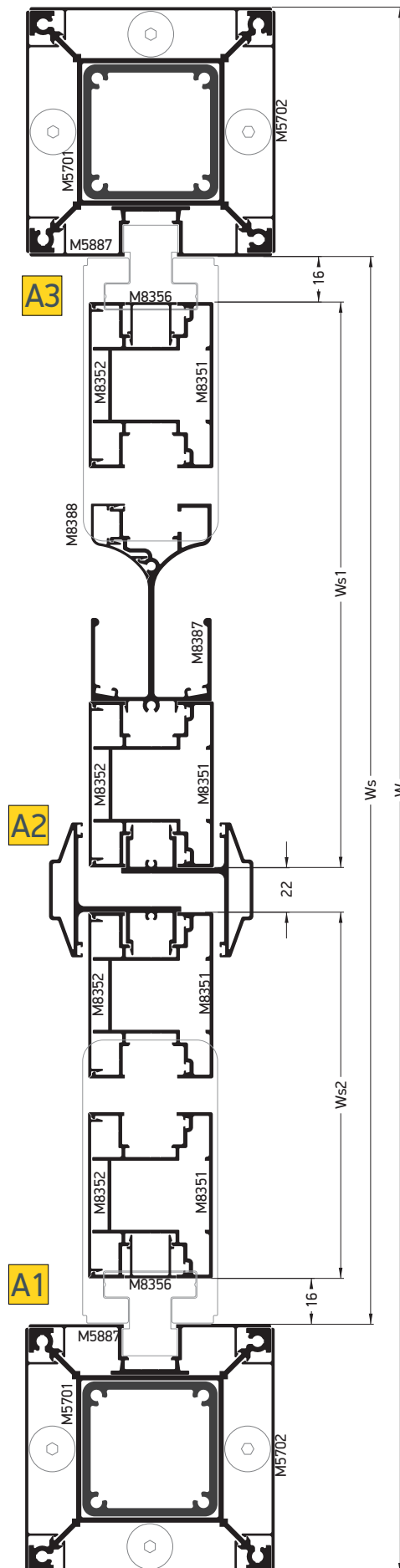
Code/ Κωδικός	Image/ εικόνα	Description/ Περιγραφή	Qty/ Τεμ.	Code/ Κωδικός	Image/ εικόνα	Description/ Περιγραφή	Qty/ Τεμ.
145.33.464.00		Crimp and nail corner cleat 33,2x46,8mm Γωνία σύνδεσης χυτή. π्रेसариστή καρφ. 33,2x46,8mm	4	830.83.531.00		Pair of caps for lock profile M8353 Τάπα για προφίλ κλειδαριάς M8353 ανοιγόμενης αυλόπορτας	1
470.63.200.00		Screws for Monticelli corner 145.33.464.00 Βίδες για γωνίες Monticelli 145.33.464.00	8	830.83.541.00		Pair of caps for striker's insert profile M8354 Τάπα για μπιλί αντικρίσματος M8354 ανοιγόμενης αυλόπορτας	1
830.83.680.00		Injury protection fitting Προστατευτική τάπα	2	830.83.551.00		Pair of caps for hinge profile M8355 Τάπα για προφίλ μεντεσέ M8355	1
830.83.790.00		End cap for M8379 half post Τάπα μισής κοίλωνας M8379	2	765.10.607.00		Wireless digital switch Ψηφιακός ασύρματος διακόπτης	1
360.85.010.45 360.85.010.33		Door Hinge Αηλιός Μεντεσές πόρτας	3	830.20.080.00		Power supply control Έλεγχος παροχής ηλεκτρικού ρεύματος	1
485.05.450.00 485.03.450.00		Spacer for strike hook Αποστάτης αντικρίσματος κλειδαριάς		513.90.600.00		TT1N control unit Δέκτης TT1N ασύρματος λειτουργίας χωρίς διακόπτη	1
440.00.450.00		Single point latch lock 45/85/22/3 Κλειδαριά γλώσσα μονού σημείου 45/85/22/3	1	830.23.001.00		1 channel Nice WM001C remote control 1 κήναλο τηλεχειριστήριο Nice WM001C	1
460.34.040.00		Cylinder 80mm 35.10.35 (40/40) Μύλος κλειδαριάς 80mm 35.10.35 (40/40)	1	830.23.003.00		3 channel Nice WM003C remote control 3 κήναλο τηλεχειριστήριο Nice WM003C	1
485.16.219.00		Adjustable electric latch plate Ηλεκτρικό κυρί ρυθμιζόμενο	1	220.60.000.03		Bubble gasket 7mm Ελαστικό φούσκα 7mm Ελαστικό μαύρο	
380.97.610.xx		8mm pin door handle Λαβή πόρτας με ροζέτα 8mm	1				
415.62.986.00		Concealed cable duct automatic A-opener Κρυφός σωλήνας καλωδίου automatic A-opener	1				

Manual double gate  
Χειροκίνητη δίφυλλη αλληόπορτα



Double swing gate with \*2 same dimensionally sashes  
Δίφυλλη ανοιγόμενη αλληόπορτα με \*2 ίδια διαστασιολογικά φύλλα



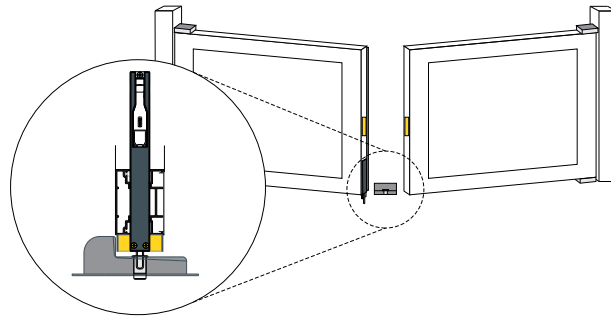




Code/ Κωδικός	Image/ εικόνα	Description	Περιγραφή	Cutting/Κοπές	Quantity/ Ποσότητα
M5701		120x120 Post	Ορθοστάτης 120x120		2
M5702		120mm Post's Cap	Καπάκι κοιλώνας 120mm		6
M5887		120mm Post's Cap for hinge	Καπάκι κοιλώνας - pivot μεντεσέ 120mm		2
M8351		Left and right gate's sash	Φύλλο αυλόπορτας αριστερό και δεξί		2
		Top and bottom gate's sash	Πάνω και κάτω φύλλο αυλόπορτας		4
M8352		Left and right cap for gate's sash	Αριστερό και δεξί καπάκι φύλλου αυλόπορτας		2
		Cap for top and bottom gate's sash	Καπάκι πάνω και κάτω φύλλου αυλόπορτας		4
M8368		Top rail	Προφίλ κουπαστής αυλόπορτας		2
*M8356		Gate's sash cover cap	Καπάκι φύλλου πόρτας		2
		120mm Post-pivot hinge cap	Καπάκι κοιλώνας 120mm-pivot μεντεσέ		2
M8398		Insert profile for lock	Μπινί πόρτας κλειδαριάς		2
M8387		Gate's grip handle	Κρυφή χειρολαβή αυλόπορτας		1
M8388		Gate's grip handle cap	Καπάκι κρυφής χειρολαβής αυλόπορτας		1

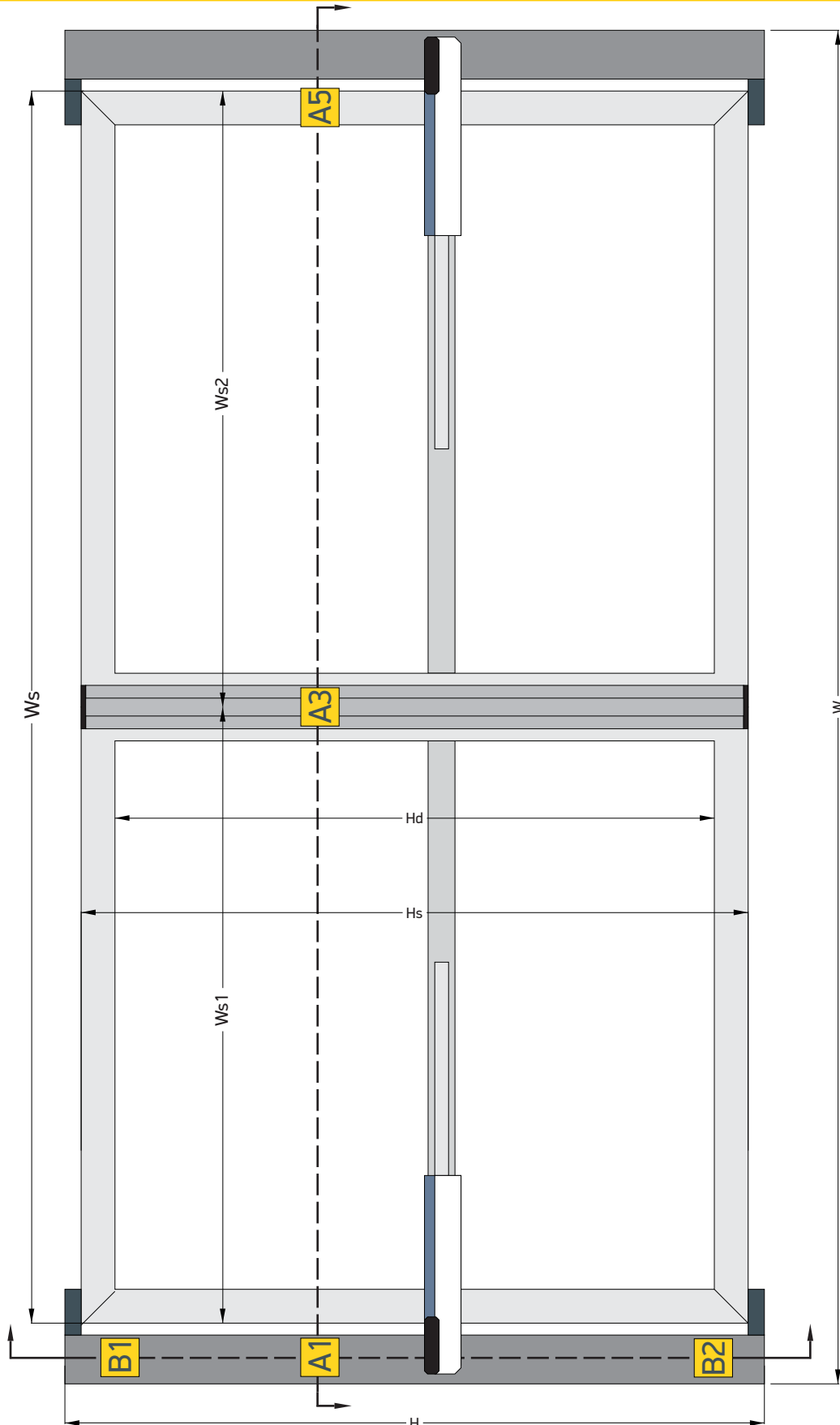
\*Depending on the needs of each typology  
\*Ανάλογα με τις ανάγκες κάθε τυπολογίας

\*\*Cuttings with cutting tool 852.08.362.00  
\*\*Κοπές με το ξυλουργικό εργαλείο 852.08.362.00

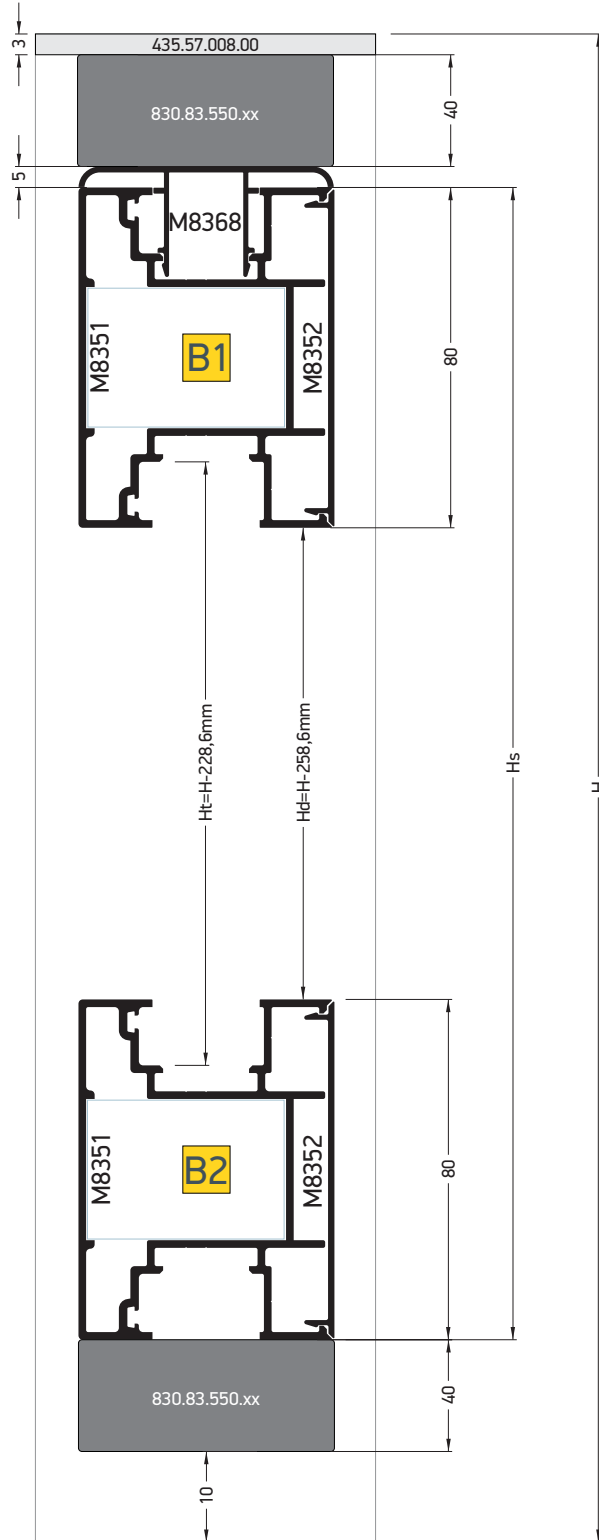


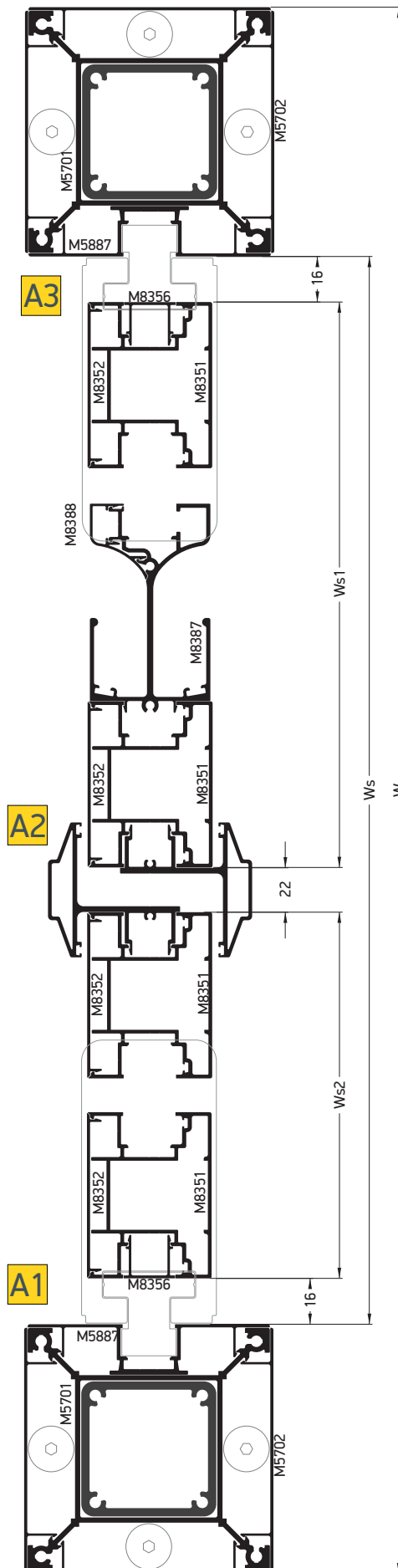
Code/ Κωδικός	Image/ εικόνα	Description/ Περιγραφή	Qty/ Τεμ.	Code/ Κωδικός	Image/ εικόνα	Description/ Περιγραφή	Qty/ Τεμ.
145.33.464.00		Crimp and nail corner cleat 33,2x46,8mm Γωνία σύνδεσης χυτή. πρεσαριστή καρφ. 33,2x46,8mm	8	435.57.001.33		Anchorage plate 120mm Βάση Στήριξης Κοιλώνας 120mm	2
470.63.200.00		Screws for Monticelli corner 145.33.464.00 Βίδες για γωνίες Monticelli 145.33.464.00	16	435.57.001.34		Reinforcement Profile for 120mm Mullion Πυρήνας κοιλώνας 120mm	2
440.00.450.00		Single point latch lock 45/85/22/3 Κλειδαριά γλώσσα μονού σημείου 45/85/22/3	1	435.57.008.00		End Cap For Mullion M5701 Καπάκι Κοιλώνας M5701	2
460.34.040.00		Cylinder 80mm 35.10.35 (40/40) Μύλος κλειδαριάς 80mm 35.10.35 (40/40)	1	220.60.000.03		Bubble gasket 7mm Elaene Black Ελαστικό φούσκα 7mm Elaene μαύρο	
485.05.450.00		Spacer for strike hook Αποστάτης αντικρίσματος κλειδαριάς					
485.03.450.00		485.03.450.00 (3mm) 485.05.450.00 (5mm)					
830.83.550.xx		FC80 Pivot Kit Kit pivot μεντεσέ FC80	2				
33 Silver anodization 45 Black anodization							
474.03.715.00 474.37.160.00 474.03.717.09		Latch gate flat profile Σύρτης αυλόπορτας ίσιο προφίλ	1				
220mm black 450mm black 650mm Silver anod.							
474.03.738.00		Lower latch deep Keeper for swing gate Κάτω φωλιά δαχτυλήθρα για ανοιγόμενη αυλόπορτα	1				
471.01.660.09		Gate stopper Stopper πόρτας	1				
792.18.351.00		Bracket for latch Fapim Εξάρτημα στήριξης πύλου FAPIM	2				
830.83.680.00		Injury protection fitting Προστατευτική τάπα	4				
830.08.398.00		Plastic cap for M8398 Πλαστική τάπα για M8398	4				

Manual double gate  
Χειροκίνητη δίφυλλη αυλόπορτα



Double swing gate with 2 same dimensionally sashes  
Δίφυλλη ανοιγόμενη αυλόπορτα με 2 ίδια διαστασιολογικά φύλλα

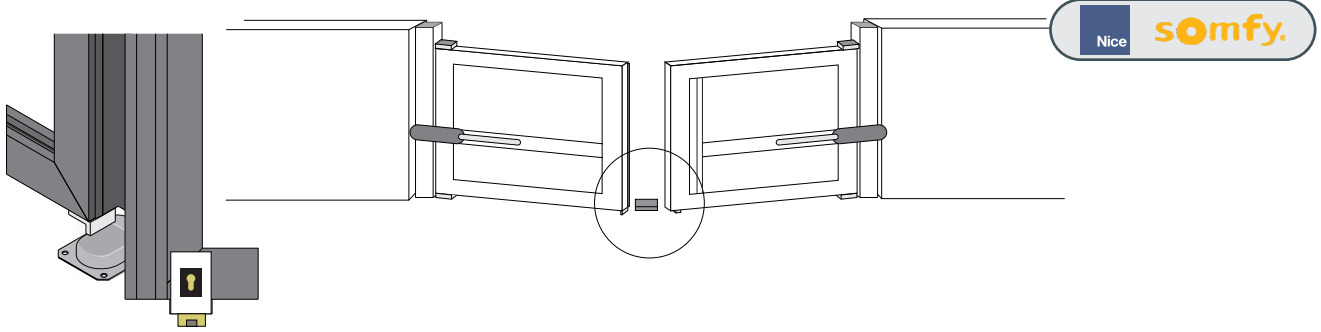




Code/ Κωδικός	Image/ εικόνα	Description	Περιγραφή	Cutting/Κοπές	Quantity/ Ποσότητα
M5701		120x120 Post	Ορθοστάτης 120x120		2
M5702		120mm Post's Cap	Καπάκι κοιλώνας 120mm		6
M5887		120mm Post's Cap for hinge	Καπάκι κοιλώνας - pivot μεντεσέ 120mm		2
M8351		Left and right gate's sash	Φύλλο αυλόπορτας αριστερό και δεξί		2
		Top and bottom gate's sash	Πάνω και κάτω φύλλο αυλόπορτας		4
M8352		Left and right cap for gate's sash	Αριστερό και δεξί καπάκι φύλλου αυλόπορτας		2
		Cap for top and bottom gate's sash	Καπάκι πάνω και κάτω φύλλου αυλόπορτας		4
M8368		Top rail	Προφίλ κουπαστής αυλόπορτας		2
*M8356		Gate's sash cover cap	Καπάκι φύλλου πόρτας		2
		120mm Post-pivot hinge cap	Καπάκι κοιλώνας 120mm-pivot μεντεσέ		2
M8398		Insert profile for lock	Μπινί πόρτας κλειδαριάς		2
*M8400 or		Intermediate reinforced motor transom	Ενδιάμεση τραβέρσα μοτέρ ανοιγόμενης αυλόπορτας		1
		Intermediate reinforced motor transom	Ενδιάμεση τραβέρσα μοτέρ ανοιγόμενης αυλόπορτας		1
*M8415		Intermediate reinforced motor transom	Ενδιάμεση τραβέρσα μοτέρ ανοιγόμενης αυλόπορτας		1
		Intermediate reinforced motor transom	Ενδιάμεση τραβέρσα μοτέρ ανοιγόμενης αυλόπορτας		1

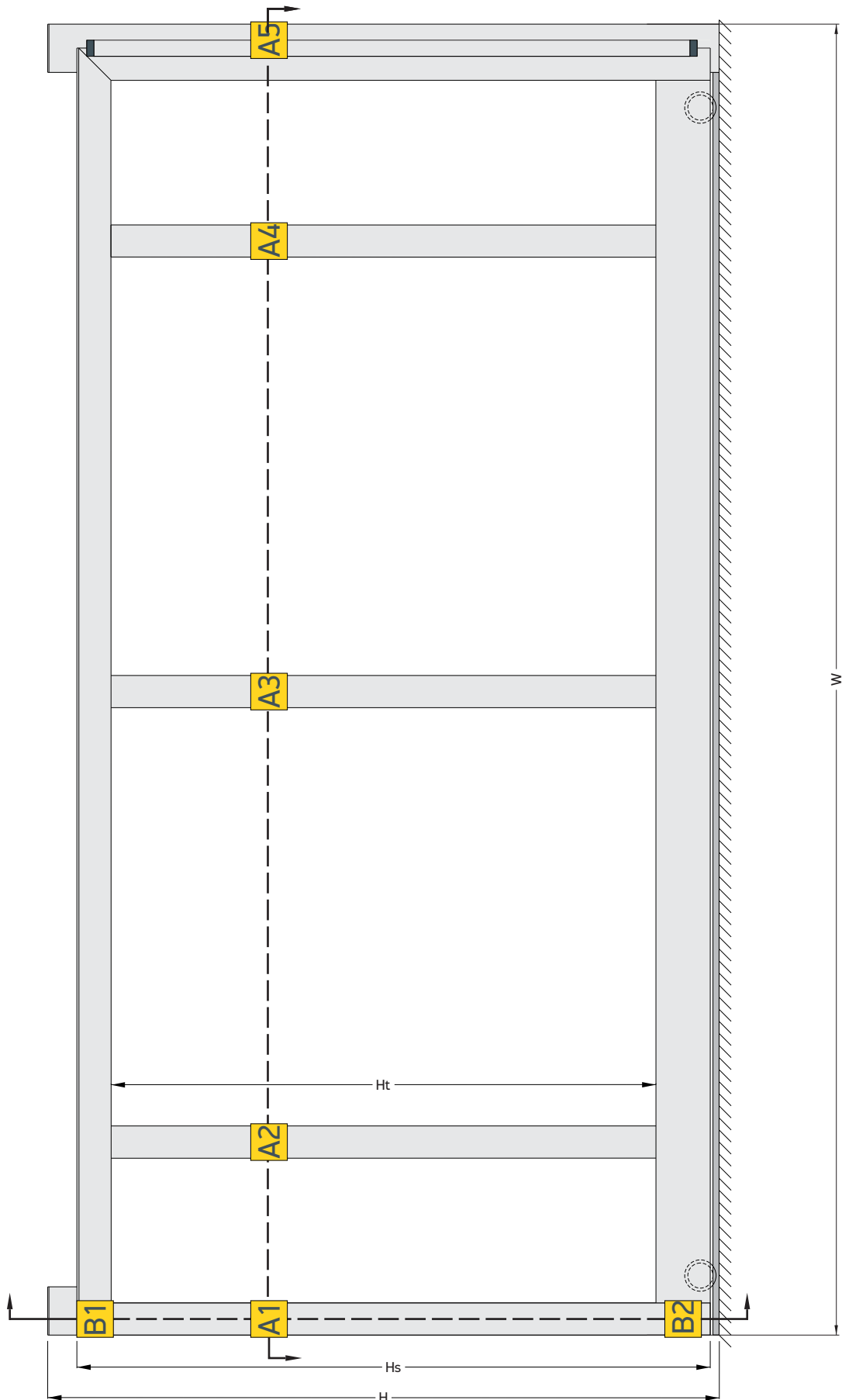
\*Depending on the needs of each typology  
\*Ανάλογα με τις ανάγκες κάθε τυπολογίας

\*\*Cuttings with cutting tool 852.08.362.00  
\*\*Κοπές με το ξυλουργικό εργαλείο 852.08.362.00

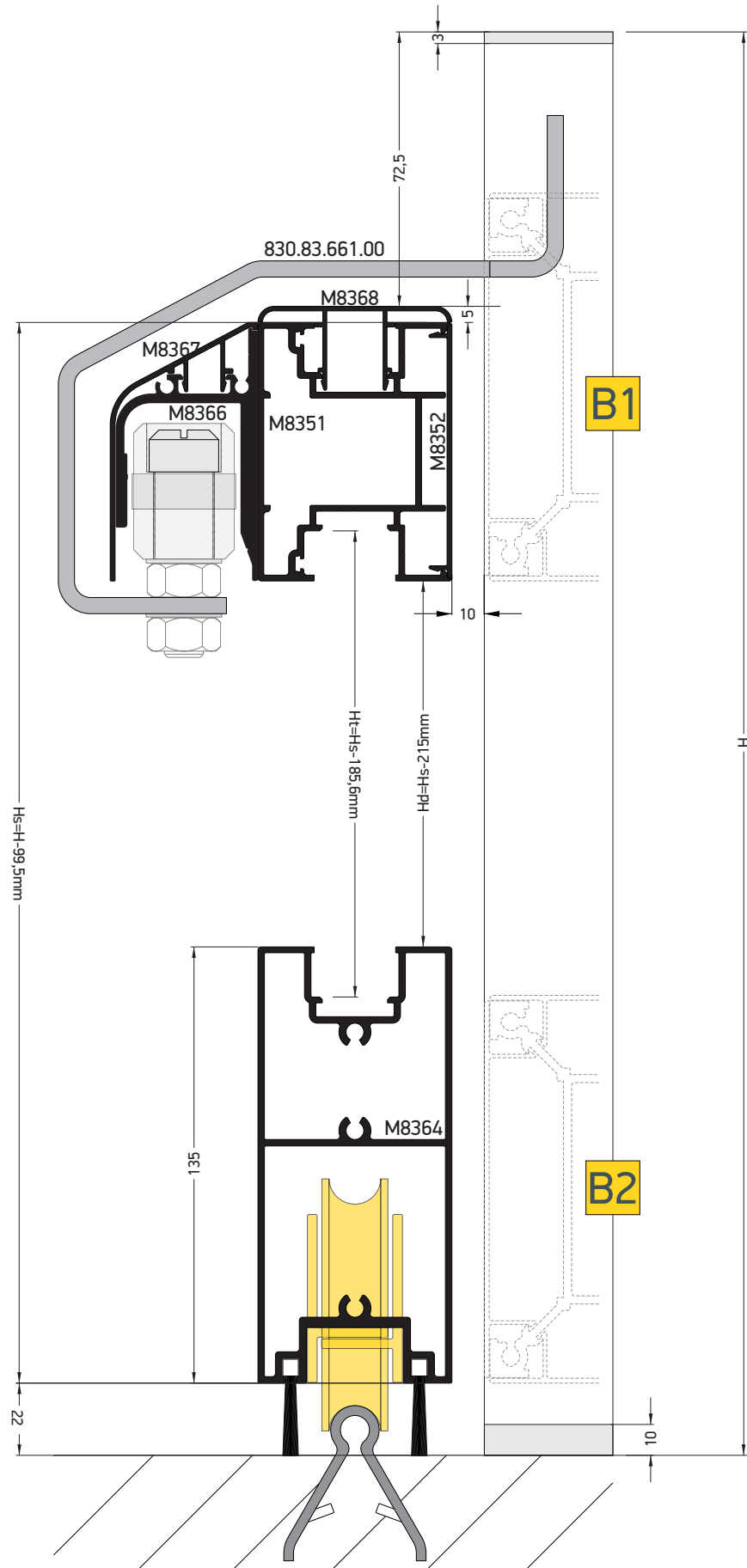


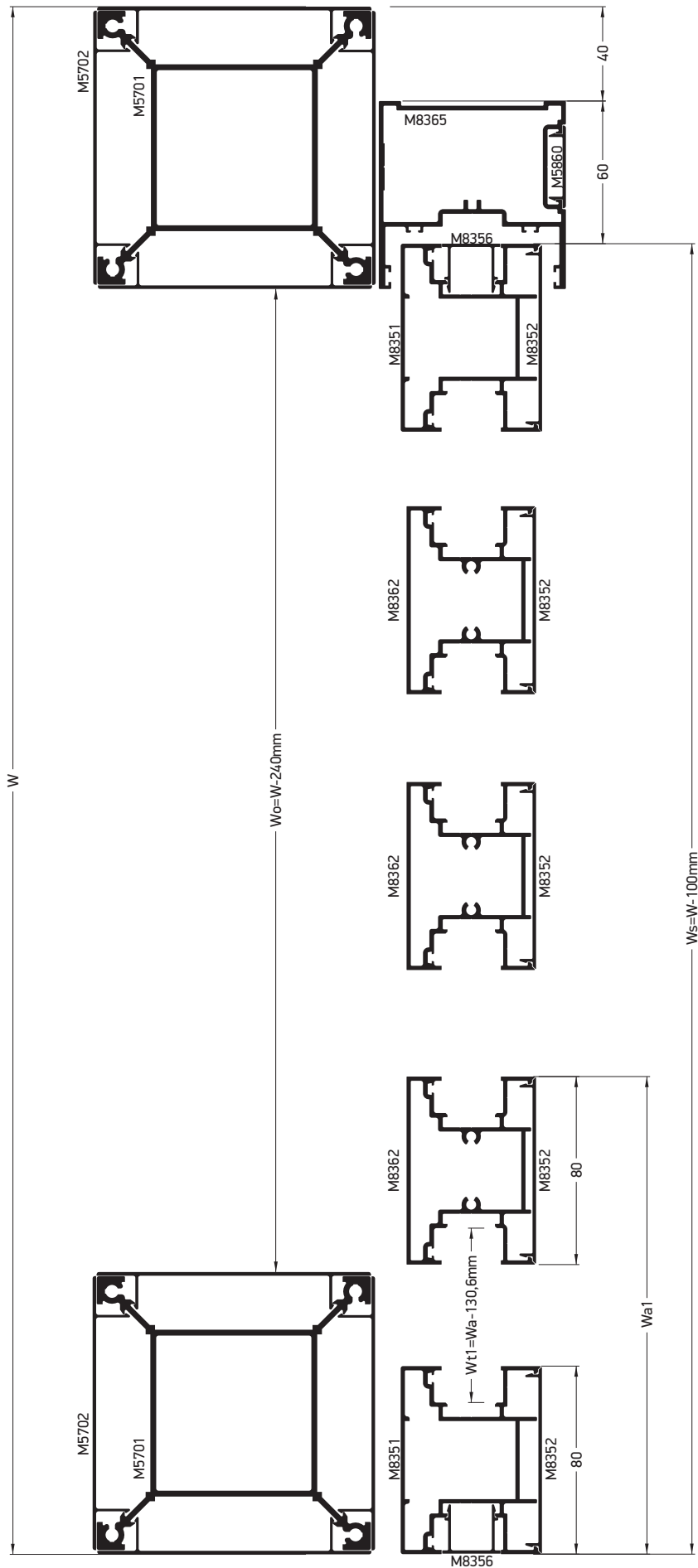
Code/ Κωδικός	Image/ εικόνα	Description/ Περιγραφή	Qty/ Τεμ.	Code/ Κωδικός	Image/ εικόνα	Description/ Περιγραφή	Qty/ Τεμ.
830.30.240.00 or 830.45.000.00		Hinged gate opener T003024 (up to 3,5m) Μοτέρ ανοιγόμενης αυθόπορτας T003024 (έως 3,5μ)	1	830.08.398.00		Plastic cap for M8398 Πλαστική τάπα για M8398	4
		Hinged gate opener T004500 (up to 4,5m) Μοτέρ ανοιγόμενης αυθόπορτας T004500 (έως 4,5μ)	1	145.33.464.00		Crimp and nail corner cleat 33,2x46,8mm Γωνία σύνδεσης χυτή. πρεσαριστή καρφ. 33,2x46,8mm	8
*513.60.003.00		Photocells for gate's motor (*Optional) Ζεύγος φωτοκυττάρων για μοτέρ αυθόπορτας (*προαιρετικό)	2	470.63.200.00		Screws for Monticelli corner 145.33.464.00 Βίδες για γωνίες Monticelli 145.33.464.00	16
830.84.001.00		Cap for motor Nice Καπάκι τραβέρσας μοτέρ Nice	2	435.57.001.33		Anchorage plate 120mm Βάση Στήριξης Κοιλόνας 120mm	2
830.16.559.00		Somfy IXENGO L 3S IO Connexion pack 400Kg Somfy IXENGO L 3S IO Connexion μηχανισμός ανοιγόμενης αυθόπορτας 400Kg	1	435.57.001.34		Reinforcement Profile for 120mm Mullion Πυρήνας κοιλόνας 120mm	2
830.84.002.00		Cap for motor Somfy Καπάκι τραβέρσας μοτέρ Somfy	2	435.57.008.00		End Cap For Mullion M5701 Καπάκι Κοιλόνας M5701	2
830.59.600.09		12V AC Electric Gate Lock Ηλεκτρική κλειδαριά 12V AC με μεταλλικό επιδαπέδιο αντίκρουσμα	1	220.60.000.03		Bubble gasket 7mm Elaprene Black Ελαστικό φούσκα 7mm Elaprene μαύρο	
830.83.550.xx 33 Silver anodization 45 Black anodization		FC80 Pivot Kit Kit pivot μεντεσέ FC80	2				
471.01.660.09		Gate stopper Stopper πόρτας	1				
792.18.351.00		Bracket for latch Fapim Εξάρτημα στήριξης πύλου FAPIM	1				
792.28.351.00		Bracket for Viro locker Εξάρτημα στήριξης κλειδαριάς Viro	1				
830.83.680.00		Injury protection fitting Προστατευτική τάπα	4				

Sliding Gate  
Συρόμενη αυλόπορτα









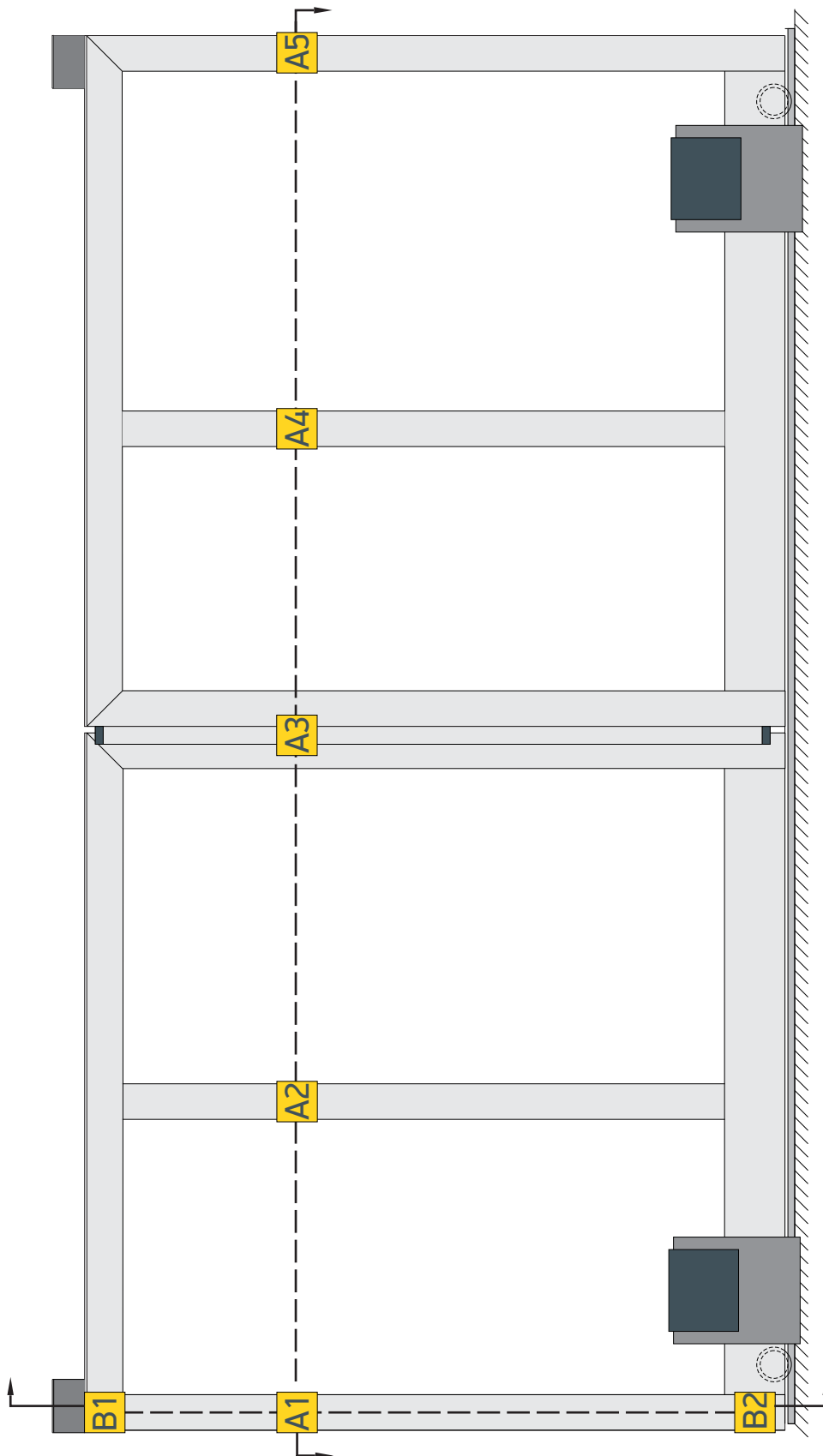
Code/ Κωδικός	Image/ εικόνα	Description	Περιγραφή	Cutting/Κοπές	Quantity/ Ποσότητα
M5701		120x120 Post	Ορθοστάτης 120x120	H-13mm	2
M5702		120mm Post's Cap	Καπάκι κοιλώνας 120mm	H-3mm	8
M8351		Left gate's sash	Φύλλο αυλόπορτας αριστερό	*Hs=H-99,5mm	1
		Right gate's sash	Φύλλο αυλόπορτας δεξί	*Hs=H-99,5mm	1
		Top gate's sash	Πάνω φύλλο αυλόπορτας	Ws=W-100mm	1
M8352		Left cap for gate's sash	Αριστερό καπάκι φύλλου αυλόπορτας	*Hs=H-99,5mm	1
		Right cap gate's sash	Δεξί καπάκι φύλλου αυλόπορτας	*Hs=H-99,5mm	1
		Cap for top gate's sash	Καπάκι πάνω φύλλου αυλόπορτας	Ws=W-100mm	1
		Cap for gate's transom	Καπάκι τραβέρσας αυλόπορτας	Hd=Hs-215mm **Hd=Hs-184,6mm	*2
M8364		Bottom gate's sash	Κάτω φύλλο αυλόπορτας	Ws-160mm **Ws-129,6mm	1
*M8362		Gate's transom	Τραβέρσα αυλόπορτας	Ht=Hs-215mm **Ht=Hs-184,6	*2
M8368		Top rail	Προφίλ κουπαστής αυλόπορτας	Ws-10mm	1
*M8356		Gate's sash cover cap	Καπάκι φύλλου πόρτας	Hg-5mm	2
M8366		Kick-plate for rail and roller support	Προστατευτικό ράγας και ράουλων ακετάλης	Ws-6mm	1
M8367		Decorative kick-plate's profile	Διακοσμητικό καπάκι προστατευτικού ράγας μοτέρ	Ws-6mm	1
M8365		Adjoining profile	Μπινί συρόμενης αυλόπορτας	Hd=Hs-260mm	1
M5860		Cap for sliding gate's adjoining profile	Καπάκι μπινιού συρόμενης αυλόπορτας	Hd=Hs-260mm	1

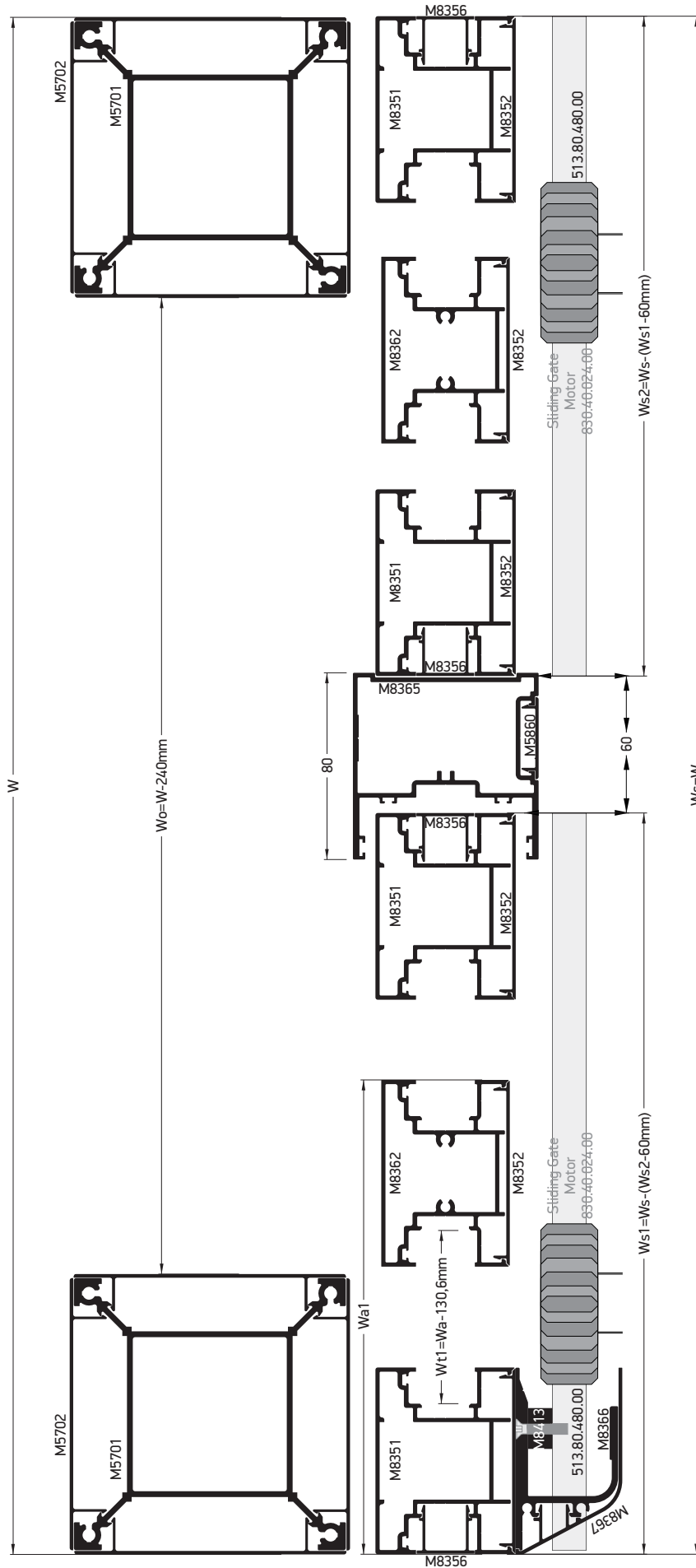
\*Depending on the needs of each typology for filling gaps  
\*Ανάλογα με τις ανάγκες κάθε τυπολογίας για γεμίσματα κενών

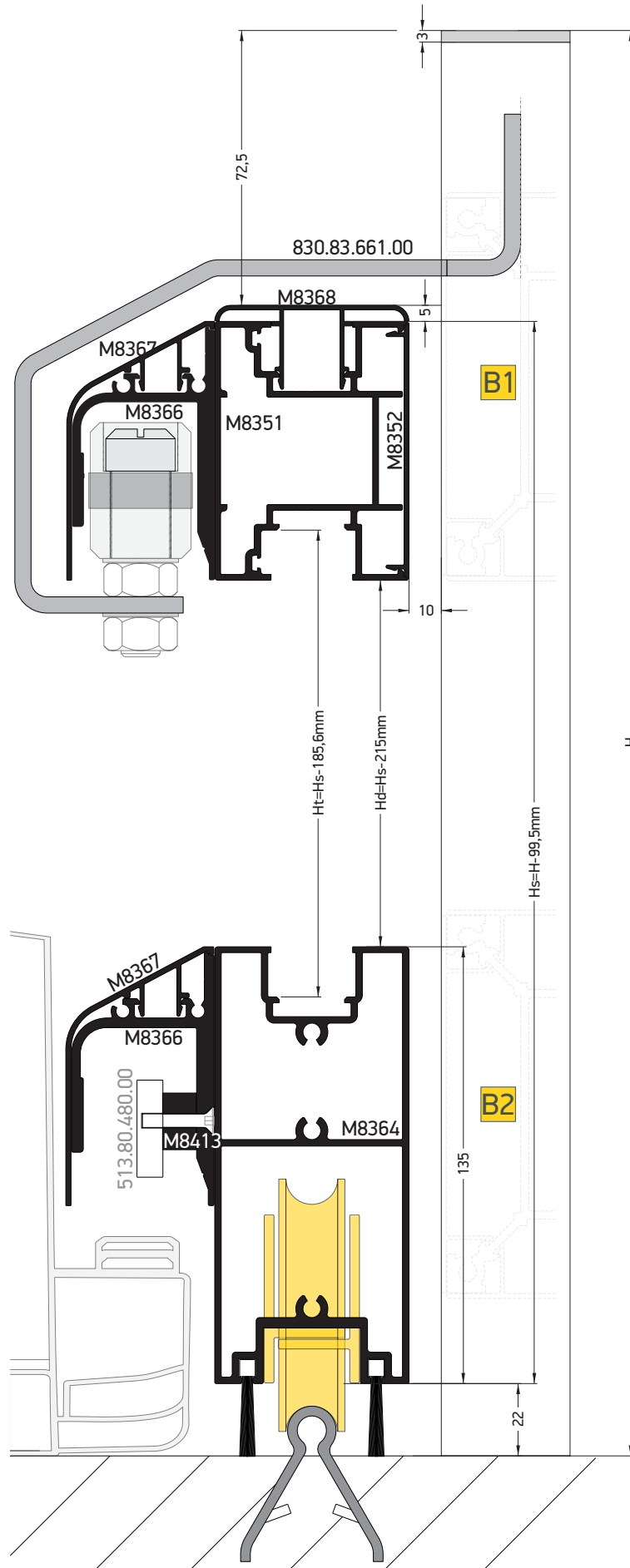
\*\*Cuttings with cutting tool 852.08.362.00  
\*\*Κοπές με το ξυλουργικό εργαλείο 852.08.362.00

Code/ Κωδικός	Image/ εικόνα	Description/ Περιγραφή	Qty/ Τεμ.	Code/ Κωδικός	Image/ εικόνα	Description/ Περιγραφή	Qty/ Τεμ.
830.83.661.00		Sliding gate's guiding Οδύγος συρόμενης	1	440.73.119.00		INOX Security Lock for sliding gate INOX κλειδαριά συρόμενης αυλόπορτας	1
830.83.662.00		Sliding gate's guiding for concrete mullion Οδύγος συρόμενης για τσιμεντοκολόνα	1	145.33.464.00		Crimp and nail corner cleat 33,2x46,8mm Γωνία σύνδεσης χυτή. π्रेसарιστή καρφ. 33,2x46,8mm	2
830.82.304.00		Cylindrical Sliding Guide Κυλινδρικός Οδύγος συρόμενης	2	470.63.200.00		Screws for Monticelli corner 145.33.464.00 Βίδες για γωνίες Monticelli 145.33.464.00	4
513.80.480.00		Metallic rail for sliding gates 30X8X1000mm Μεταλλική ράγα συρόμενης 30X8X1000mm	Lg (m)	220.60.000.03		Bubble gasket 7mm Elaeprene Black Ελαστικό φούσκα 7mm Elaeprene μαύρο	
472.10.201.00		Half-round flooring rail for sliding gates (6m) Ράγα κύλισης στρόγγυλη επιδαπέδια (6m)	Lg (m)				
OR							
472.10.204.00		Half-round digested groove rail for sliding gates (6m) Ράγα κύλισης χωνευτό στρόγγυλο προφίλ (6m)	Lg (m)				
830.82.002.00		Wheels with inner support one bearing U-Profile Ράουλο συρόμενης U-προφίλ	2				
435.57.008.00		End Cap For Mullion M5701 Καπάκι Κοιλώνας M5701	2				
435.57.001.33		Anchorage plate 120mm Βάση κοιλώνας 120mm	1				
435.57.001.34		Reinforcement Profile for 120mm Mullion Πυρήνας κοιλώνας 120mm	1				
830.83.660.00		Pair of decorative cap for rack Ζεύγος διακοσμητικής τάπας κρεμαγιέρας	2				
830..83.680.00		Injury protection fitting Προστατευτική τάπα	2				
830.83.651.00		Cap for sliding gate's opposite profile M8365 Τάπα προφίλ αντίκρίσματος συρόμενης M8365	2				
830.83.650.33		Strike hook sliding door Αντίκρουση κλειδαριάς συρόμενης αυλόπορτας	1				

Sliding Double Sash Gate with Somfy Elixo Moter  
 Δίφυλλη συρόμενη αυλόπορτα με Somfy Elixo μοτέρ

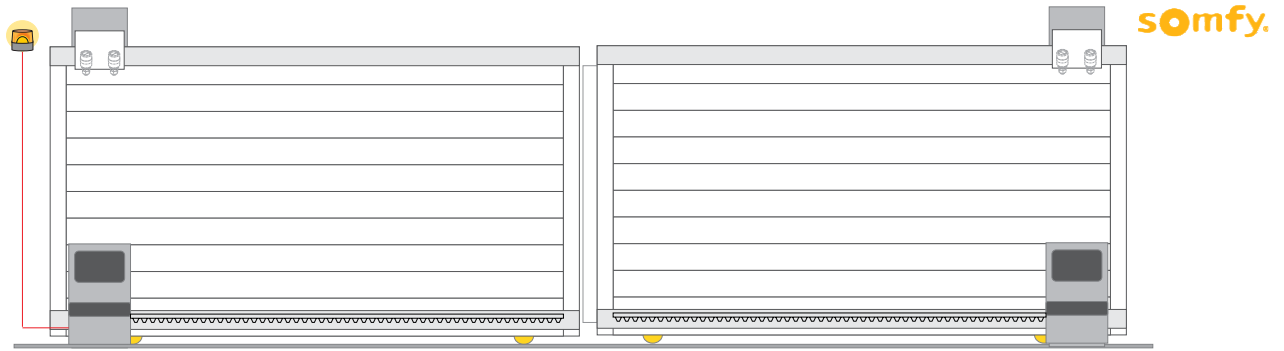






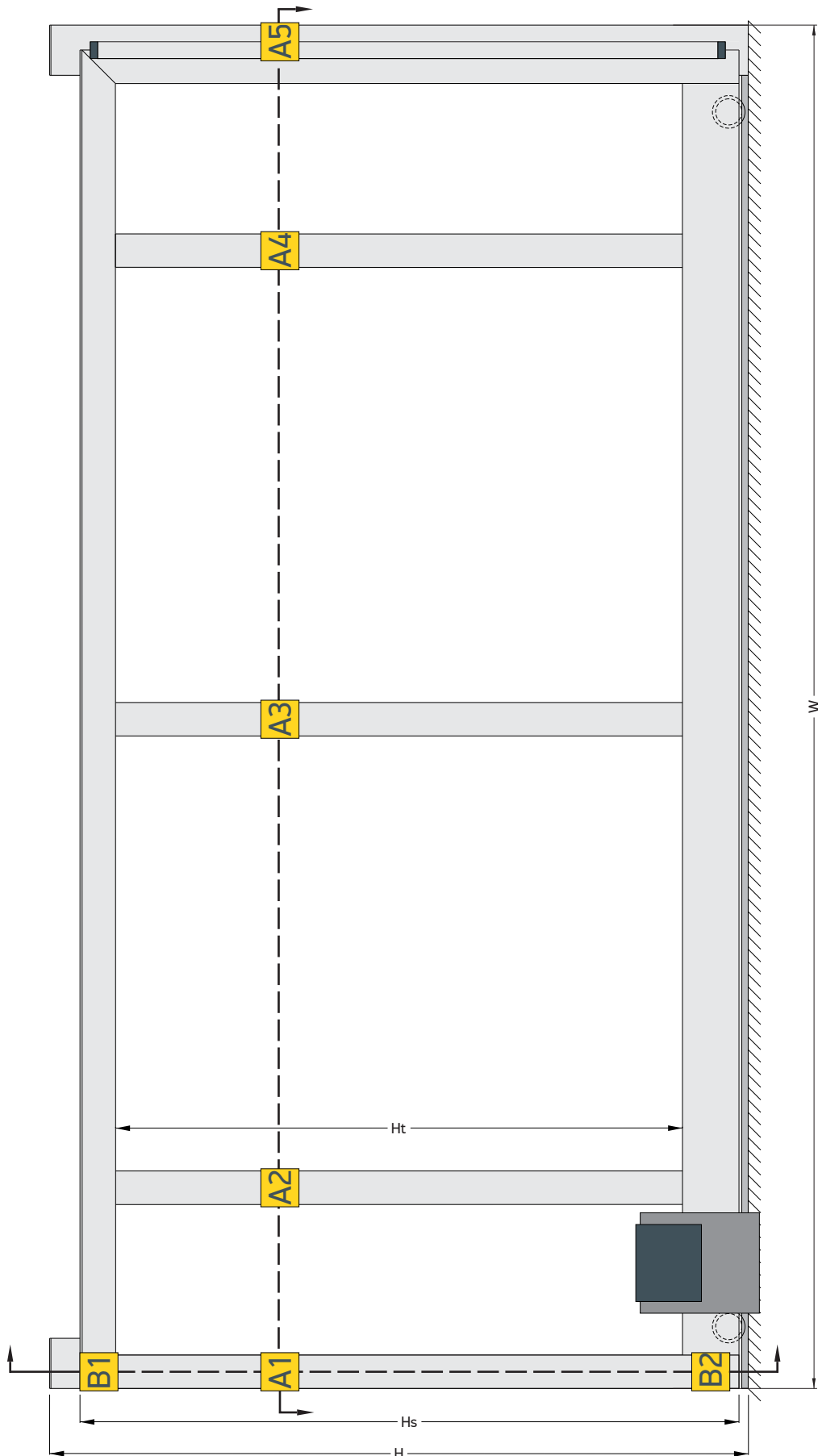
Code/ Κωδικός	Image/ εικόνα	Description	Περιγραφή	Cutting/Κονές	Quantity/ Ποσότητα
M5701		120x120 Post	Ορθοστάτης 120x120	H-13mm	2
M5702		120mm Post's Cap	Καπάκι κοιλώνας 120mm	H-3mm	8
M8351		Left gate's sash	Φύλλο αυλόπορτας αριστερό	*Hs=H-99,5mm	2
		Right gate's sash	Φύλλο αυλόπορτας δεξί	*Hs=H-99,5mm	2
		Top gate's sash	Πάνω φύλλο αυλόπορτας	Ws1=Ws-(Ws2-60mm) Ws2=Ws-(Ws1=60mm)	2
M8352		Left cap for gate's sash	Αριστερό καπάκι φύλλου αυλόπορτας	*Hs=H-99,5mm	2
		Right cap gate's sash	Δεξί καπάκι φύλλου αυλόπορτας	*Hs=H-99,5mm	2
		Cap for top gate's sash	Καπάκι πάνω φύλλου αυλόπορτας	Ws1=Ws-(Ws2-60mm) Ws2=Ws-(Ws1=60mm)	2
		Cap for gate's transom	Καπάκι τραβέρσας αυλόπορτας	Hd=Hs-215mm **Hd=Hs-184,6mm	*2
M8364		Bottom gate's sash	Κάτω φύλλο αυλόπορτας	Ws-160mm **Ws-129,6mm	2
*M8362		Gate's transom	Τραβέρσα αυλόπορτας	Ht=Hs-215mm **Ht=Hs-184,6	*2
M8368		Top rail	Προφίλ κουραστής αυλόπορτας	Ws1-10mm Ws2-10mm	2
*M8356		Gate's sash cover cap	Καπάκι φύλλου πόρτας	Hg-5mm	4
M8366		Kick-plate for rail and roller support	Προστατευτικό ράγας και ράουλων ακετάλης	Ws1-6mm Ws2-6mm	4
M8367		Decorative kick-plate's profile	Διακοσμητικό καπάκι προστατευτικού ράγας μοτέρ	Ws1-6mm Ws2-6mm	2
M8365		Adjoining profile	Μπινί συρόμενης αυλόπορτας	Hd=Hs-260mm	1
M5860		Cap for sliding gate's adjoining profile	Καπάκι μπινιοί συρόμενης αυλόπορτας	Hd=Hs-260mm	1
M8413		Motor rail spacer	Αποστάτης ράγας μοτέρ	Ws1-20mm Ws2-20mm	2

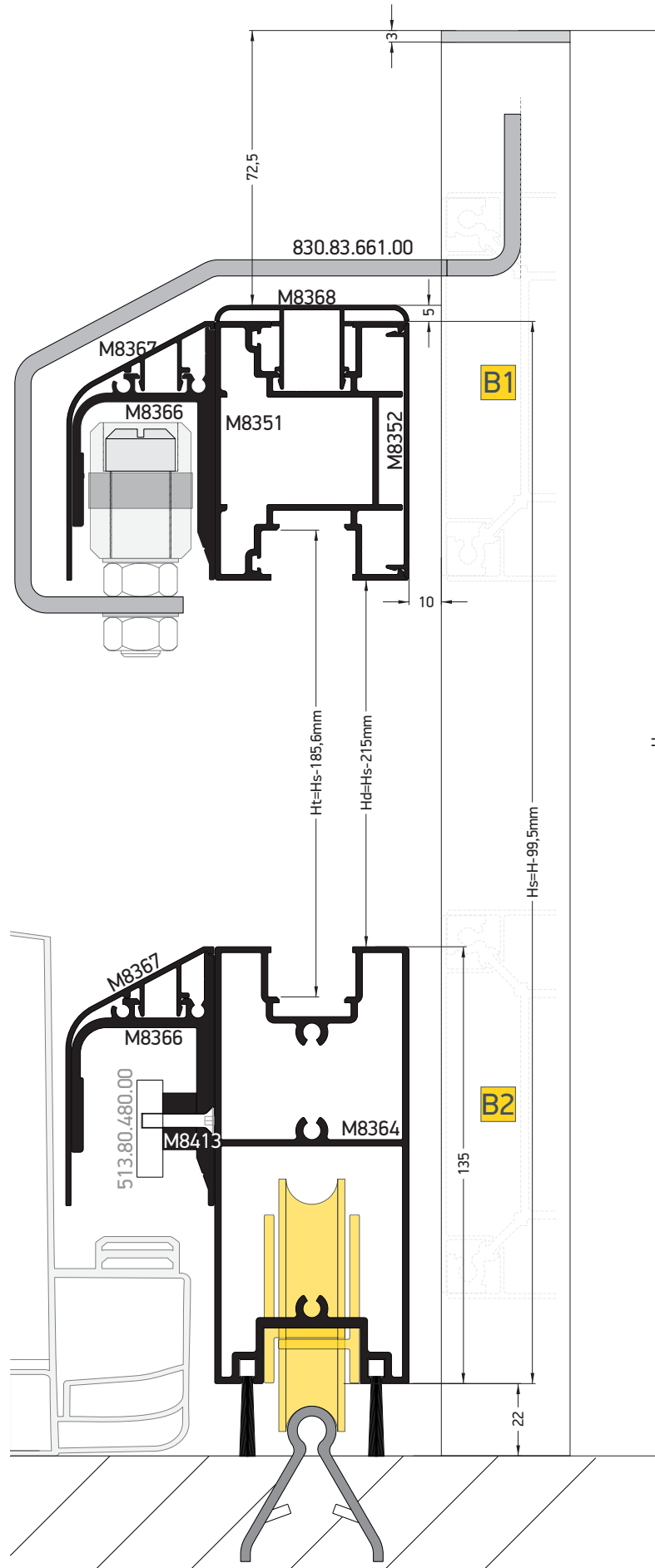




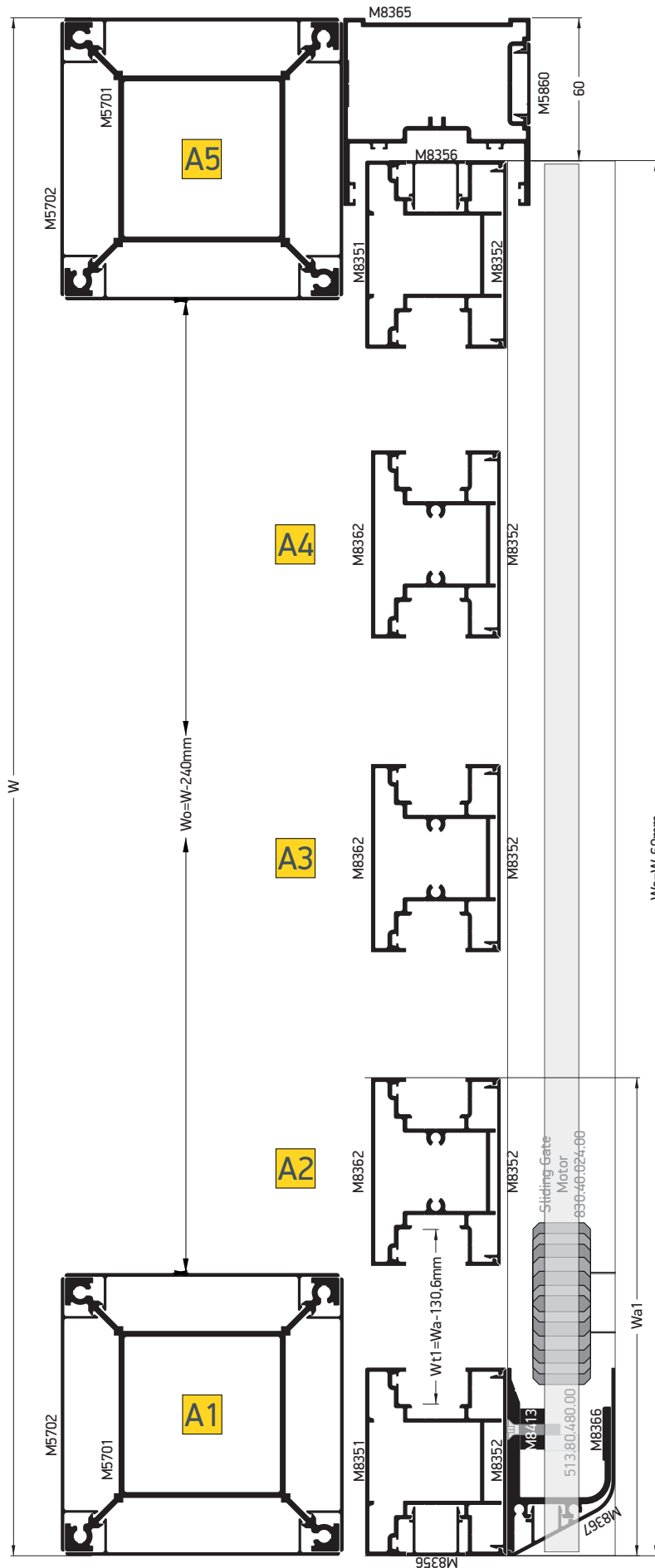
Code/ Κωδικός	Image/ εικόνα	Description/ Περιγραφή	Qty/ Τεμ.	Code/ Κωδικός	Image/ εικόνα	Description/ Περιγραφή	Qty/ Τεμ.
830.16.365.00 830.16.601.00		Somfy Elixo Smart IO Comfort pack Somfy Elixo Smart Comfort pack ανοιγόμενος αυλόπορτας	2	435.57.001.33		Anchorage plate 120mm Βάση κοιλώνας 120mm	2
435.16.413.00		Elixo Optimo RTS 24V 2 keyGO RTS	2	435.57.001.34		Reinforcement Profile for 120mm Mullion Πυρήνας κοιλώνας 120mm	1
830.83.661.00		Sliding gate's guiding Οδύγος συρόμενης	2	830.83.660.00		Pair of decorative cap for rack Ζεύγος διακοσμητικής τάπας κρεμαγιέρας	4
830.82.304.00		Cylindrical Sliding Guide Κυλινδρικός Οδηγός συρόμενης	4	830..83.680.00		Injury protection fitting Προστατευτική τάπα	4
513.80.480.00		Metallic rail for sliding gates 30X8X1000mm Μεταλλική ράγα συρόμενης 30X8X1000mm	Lg (m)	830.83.651.00		Cap for sliding gate's opposite profile M8365 Τάπα προφίλ αντικρίσματος συρόμενης M8365	2
472.10.201.00 OR 472.10.204.00	 	Half-round flooring rail for sliding gates (6m) Ράγα κύλισης στρόγγυλη επιδαπέδια (6m)  Half-round digested groove rail for sliding gates (6m) Ράγα κύλισης χωνευτό στρόγγυλο προφίλ (6m)	Lg (m)  Lg (m)	145.33.464.00		Crimp and nail corner cleat 33,2x46,8mm Γωνία σύνδεσης χυτή. πρεσαριστή καρφ. 33,2x46,8mm	4
470.63.200.00		Screws for Monticelli corner 145.33.464.00 Βίδες για γωνίες Monticelli 145.33.464.00	8	830.82.002.00		Wheels with inner support one bearing U-Profile Ράουλο συρόμενης U-προφίλ	3
220.60.000.03		Bubble gasket 7mm Elaprene Black Ελαστικό φούσκα 7mm Elaprene μαύρο	2x Hb (m)	435.57.008.00		End Cap For Mullion M5701 Καπάκι Κοιλώνας M5701	2
620.69.112.03		Brush Seals 12 mm, 4P, Black Βουρτσάκι 12 mm, 4P, Μαύρο	2x Hb (m)				

Sliding Gate with motor  
Συρόμενη αυλόπορτα με μοτέρ





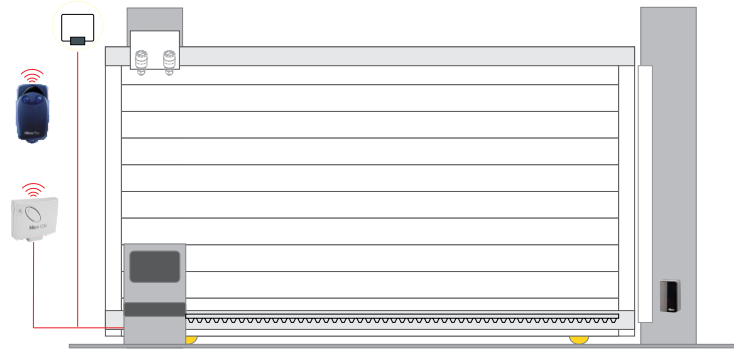
Sliding gate  
Συρόμενη αυθόνοητα



Code/ Κωδικός	Image/ εικόνα	Description	Περιγραφή	Cutting/Κονές	Quantity/ Ποσότητα
M5701		120x120 Post	Ορθοστάτης 120x120		2
M5702		120mm Post's Cap	Καπάκι κοιλώνας 120mm		8
M8351		Left gate's sash	Φύλλο αυλόπορτας αριστερό		1
		Right gate's sash	Φύλλο αυλόπορτας δεξί		1
		Top gate's sash	Πάνω φύλλο αυλόπορτας		1
M8352		Left cap for gate's sash	Αριστερό καπάκι φύλλου αυλόπορτας		1
		Right cap gate's sash	Δεξί καπάκι φύλλου αυλόπορτας		1
		Cap for top gate's sash	Καπάκι πάνω φύλλου αυλόπορτας		1
		Cap for gate's transom	Καπάκι τραβέρσας αυλόπορτας		*2
M8364		Bottom gate's sash	Κάτω φύλλο αυλόπορτας		1
*M8362		Gate's transom	Τραβέρσα αυλόπορτας		*2
M8368		Top rail	Προφίλ κουραστής αυλόπορτας		1
*M8356		Gate's sash cover cap	Καπάκι φύλλου πόρτας		2
M8366		Kick-plate for rail and roller support	Προστατευτικό ράγας και ράουλων ακετάλης		2
M8367		Decorative kick-plate's profile	Διακοσμητικό καπάκι προστατευτικού ράγας μοτέρ		2
M8365		Adjoining profile	Μπινί συρόμενης αυλόπορτας		1
M5860		Cap for sliding gate's adjoining profile	Καπάκι μπινιού συρόμενης αυλόπορτας		1
M8413		Motor rail spacer	Αποστάτης ράγας μοτέρ		1

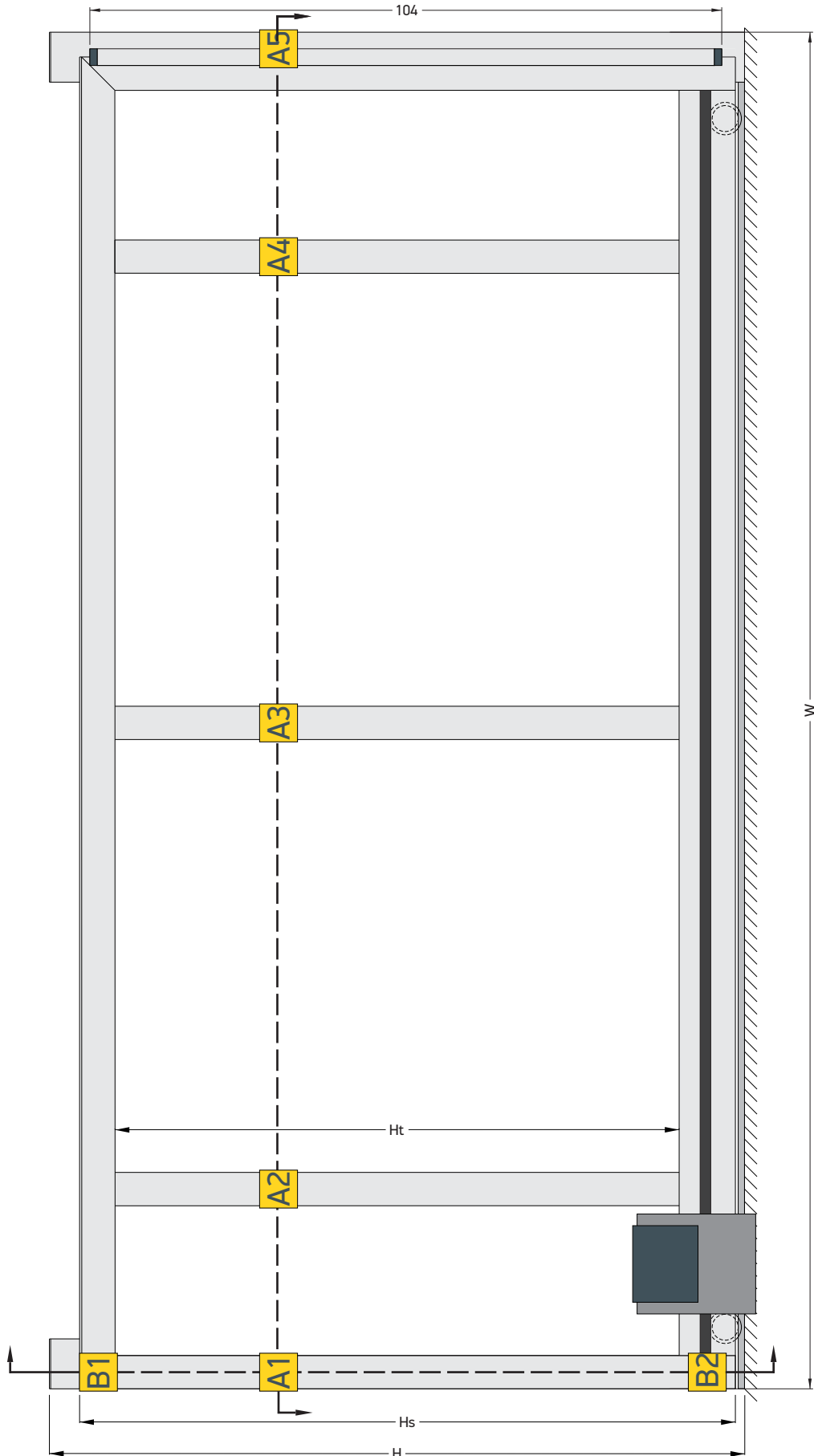
\*Depending on the needs of each typology for filling gaps  
\*Ανάλογα με τις ανάγκες κάθε τυπολογίας για γεμίσματα κενών

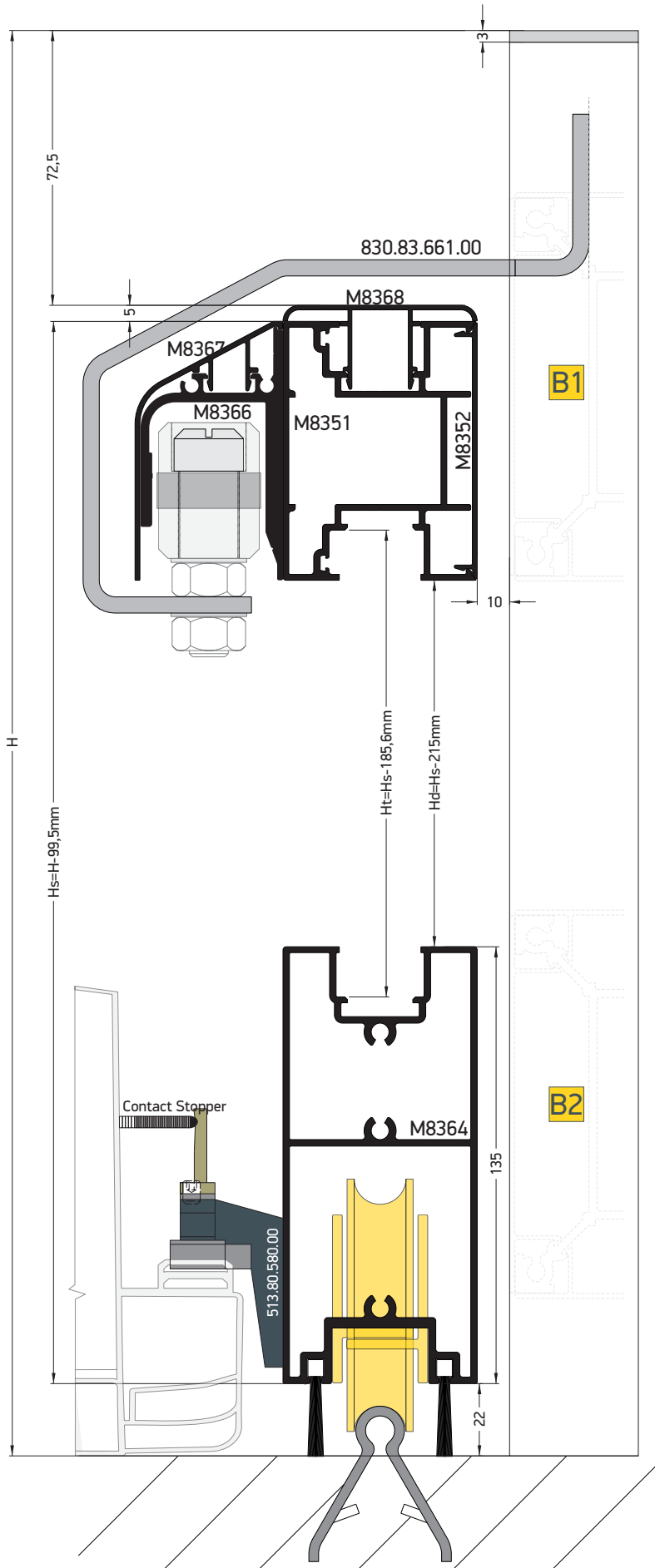
\*\*Cuttings without cutting tool 852.08.362.00  
\*\*Κονές χωρίς ξυλουργικό εργαλείο 852.08.362.00



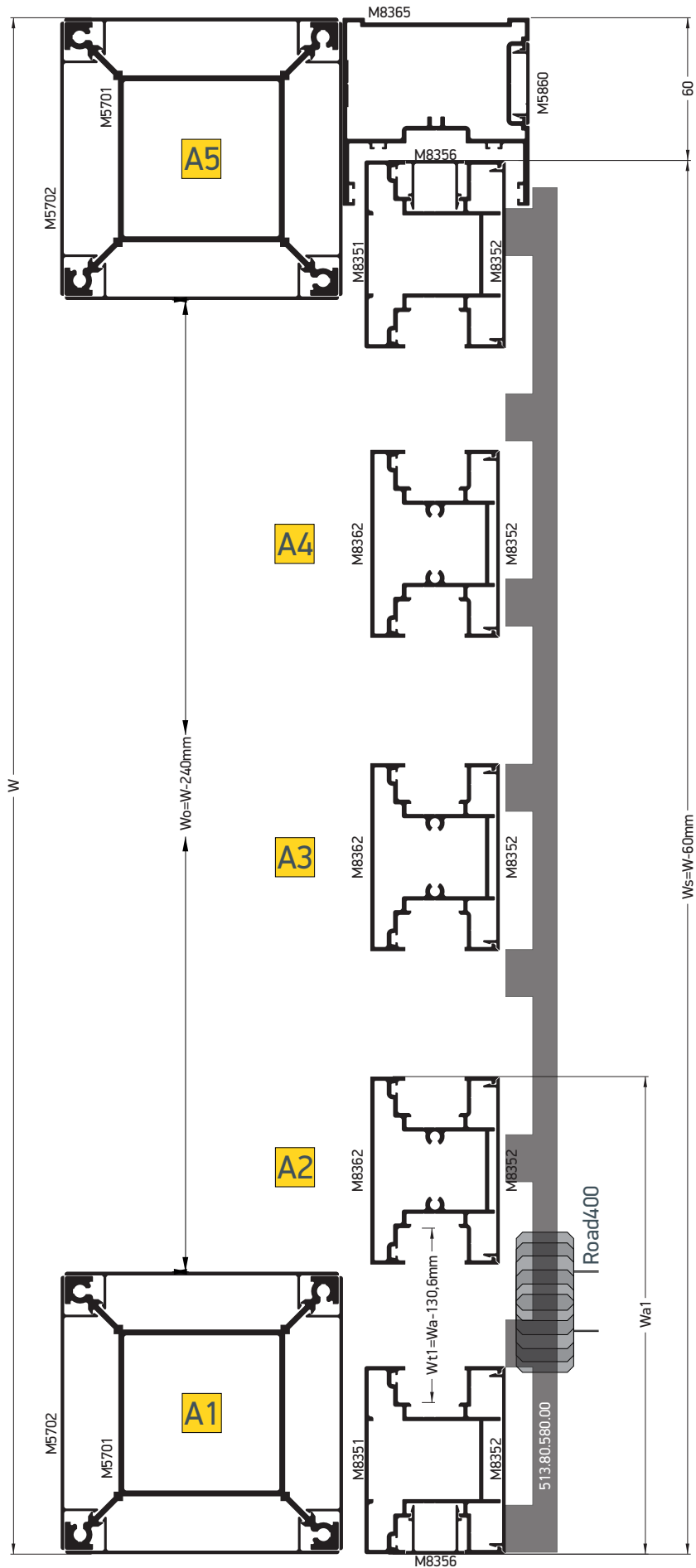
Code/ Κωδικός	Image/ εικόνα	Description/ Περιγραφή	Qty/ Τεμ.	Code/ Κωδικός	Image/ εικόνα	Description/ Περιγραφή	Qty/ Τεμ.
830.40.024.00		SLH400 sliding gate's motor SLH400 μοτέρ για συρόμενη αυλόπορτα	1	435.57.008.00		End Cap For Mullion M5701 Καπάκι Κοιλώνας M5701	2
830.50.050.00		2x Photocells Bluebus for motor SLH400 2x φωτοκύτταρα Bluebus για μοτέρ SLH40	1	435.57.001.33		Anchorage plate 120mm Βάση κοιλώνας 120mm	2
830.15.249.00		Nice OXI Radio receiver Nice OXI δέκτης απαμακρυσμένης λειτουργίας	1	435.57.001.34		Reinforcement Profile for 120mm Mullion Πυρήνας κοιλώνας 120mm	1
513.60.002.00		2 chanel wireless controller Ασύρματο χειριστήριο 2κάναλο	1+	830.83.660.00		Pair of decorative cap for rack Ζεύγος διακοσμητικής τάπας κρεμαγιέρας	2
830.12.360.00		Flashing led signal light Φάρος προειδοποίησης led	1	830..83.680.00		Injury protection fitting Προστατευτική τάπα	2
830.16.365.00 830.16.601.00		Somfy Elixo Smart 10 Comfort pack Somfy Elixo Smart Comfort pack ανοιγόμενης αυλόπορτας	1	830.83.651.00		Cap for sliding gate's opposite profile M8365 Τάπα προφίλ αντικρίσματος συρόμενης M8365	2
830.83.661.00		Sliding gate's guiding Οδηγός συρόμενης	1	145.33.464.00		Crimp and nail corner cleat 33,2x46,8mm Γωνία σύνδεσης χυτή. πρεσαριστή καρφ. 33,2x46,8mm	2
830.82.304.00		Cylindrical Sliding Guide Κυλινδρικός Οδηγός συρόμενης	2	470.63.200.00		Screws for Monticelli corner 145.33.464.00 Βίδες για γωνίες Monticelli 145.33.464.00	4
513.80.480.00		Metallic rail for sliding gates 30X8X1000mm Μεταλλική ράγα συρόμενης 30X8X1000mm	Lg (m)	220.60.000.03		Bubble gasket 7mm Elaprene Black Ελαστικό φούσκα 7mm Elaprene μαύρο	2x Hb (m)
472.10.201.00 OR 472.10.204.00		Half-round flooring rail for sliding gates (6m) Ράγα κύλισης στρόγγυλη επιδαπέδια (6m)	Lg (m)	620.69.112.03		Brush Seals 12 mm, 4P, Black Βουρτσάκι 12 mm, 4P, Μαύρο	2x Hb (m)
472.10.204.00		Half-round digested groove rail for sliding gates (6m) Ράγα κύλισης χωνευτό στρόγγυλο προφίλ (6m)	Lg (m)				
830.82.002.00		Wheels with inner support one bearing U-Profile Ράουλο συρόμενης U-προφίλ	2				

Sliding Gate with Road400 motor  
 Συρόμενη αυθόπορτα με μοτέρ Road400







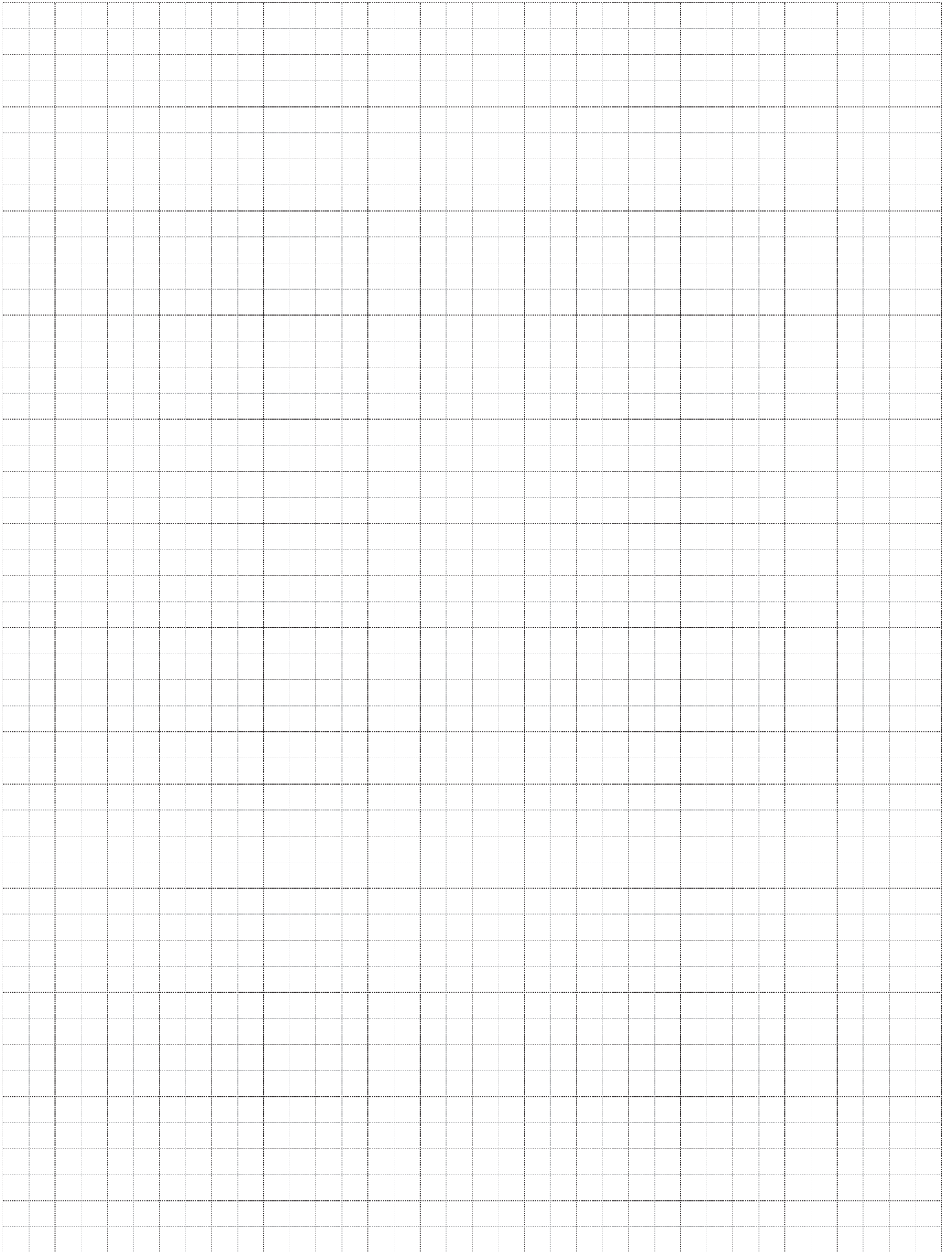


Code/ Κωδικός	Image/ εικόνα	Description	Περιγραφή	Cutting/Κονές	Quantity/ Ποσότητα
M5701		120x120 Post	Ορθοστάτης 120x120		2
M5702		120mm Post's Cap	Καπάκι κοιλώνας 120mm		8
M8351		Left gate's sash	Φύλλο αυλόπορτας αριστερό		1
		Right gate's sash	Φύλλο αυλόπορτας δεξί		1
		Top gate's sash	Πάνω φύλλο αυλόπορτας		1
M8352		Left cap for gate's sash	Αριστερό καπάκι φύλλου αυλόπορτας		1
		Right cap gate's sash	Δεξί καπάκι φύλλου αυλόπορτας		1
		Cap for top gate's sash	Καπάκι πάνω φύλλου αυλόπορτας		1
		Cap for gate's transom	Καπάκι τραβέρσας αυλόπορτας		*2
M8364		Bottom gate's sash	Κάτω φύλλο αυλόπορτας		1
*M8362		Gate's transom	Τραβέρσα αυλόπορτας		*2
M8368		Top rail	Προφίλ κουραστής αυλόπορτας		1
*M8356		Gate's sash cover cap	Καπάκι φύλλου πόρτας		2
M8366		Kick-plate for rail and roller support	Προστατευτικό ράγας και ράουλων ακετάλης		1
M8367		Decorative kick-plate's profile	Διακοσμητικό καπάκι προστατευτικού ράγας μοτέπ		1
M8365		Adjoining profile	Μπινί συρόμενης αυλόπορτας		1
M5860		Cap for sliding gate's adjoining profile	Καπάκι μπινιοί συρόμενης αυλόπορτας		1

\*Depending on the needs of each typology for filling gaps  
\*Ανάλογα με τις ανάγκες κάθε τυπολογίας για γεμίσματα κενών

\*\*Cuttings without cutting tool 852.08.362.00  
\*\*Κονές χωρίς ξυλουργικό εργαλείο 852.08.362.00

Code/ Κωδικός	Image/ εικόνα	Description/ Περιγραφή	Qty/ Τεμ.	Code/ Κωδικός	Image/ εικόνα	Description/ Περιγραφή	Qty/ Τεμ.
513.84.400.00		SLH400 sliding gate's motor SLH400 μοτέρ για συρόμενη αυλόπορτα	1	830.83.651.00		Cap for sliding gate's opposite profile M8365 Τάπα προφίλ αντικρίσματος συρόμενης M8365	2
513.60.003.00		Photocells for gate's motor Ζεύγος φωτοκυττάρων για μοτέρ αυλόπορτας	1	145.33.464.00		Crimp and nail corner cleat 33,2x46,8mm Γωνία σύνδεσης χυτή. π्रेसарιστή καρφ. 33,2x46,8mm	2
830.12.360.00		Flashing led signal light Φάρος προειδοποίησης led	1	470.63.200.00		Screws for Monticelli corner 145.33.464.00 Βίδες για γωνίες Monticelli 145.33.464.00	4
830.83.661.00		Sliding gate's guiding Οδηγός συρόμενης	1	220.60.000.03		Bubble gasket 7mm Elaprene Black Ελαστικό φούσκα 7mm Elaprene μαύρο	2x Hb (m)
830.82.304.00		Cylindrical Sliding Guide Κυλινδρικός Οδηγός συρόμενης	1	620.69.112.03		Brush Seals 12 mm, 4P, Black Βουρτσάκι 12 mm, 4P, Μαύρο	2x Hb (m)
513.80.580.00		Plastic rail for sliding gates (25x20x1000mm) Plastic ράγα συρόμενης (25x20x1000mm)	Lg (m)				
472.10.201.00		Half-round flooring rail for sliding gates Ράγα κύλισης στρόγγυλη επιδαπέδια	Lg (m)				
OR							
472.10.204.00		Half-round digested groove rail for sliding gates Ράγα κύλισης χωνευτό στρόγγυλο προφίλ	Lg (m)				
830.82.002.00		Wheels with inner support one bearing U-Profile Ράουλο συρόμενης U-προφίλ	2				
435.57.008.00		End Cap For Mullion M5701 Καπάκι Κοιλώνας M5701	2				
435.57.001.33		Anchorage plate 120mm Βάση κοιλώνας 120mm	2				
435.57.001.34		Reinforcement Profile for 120mm Mullion Πυρήνας κοιλώνας 120mm	2				
830.83.660.00		Pair of decorative cap for rack Ζεύγος διακοσμητικής τάπας κρεμαγιέρας	1				
830.83.680.00		Injury protection fitting Προστατευτική τάπα	2				

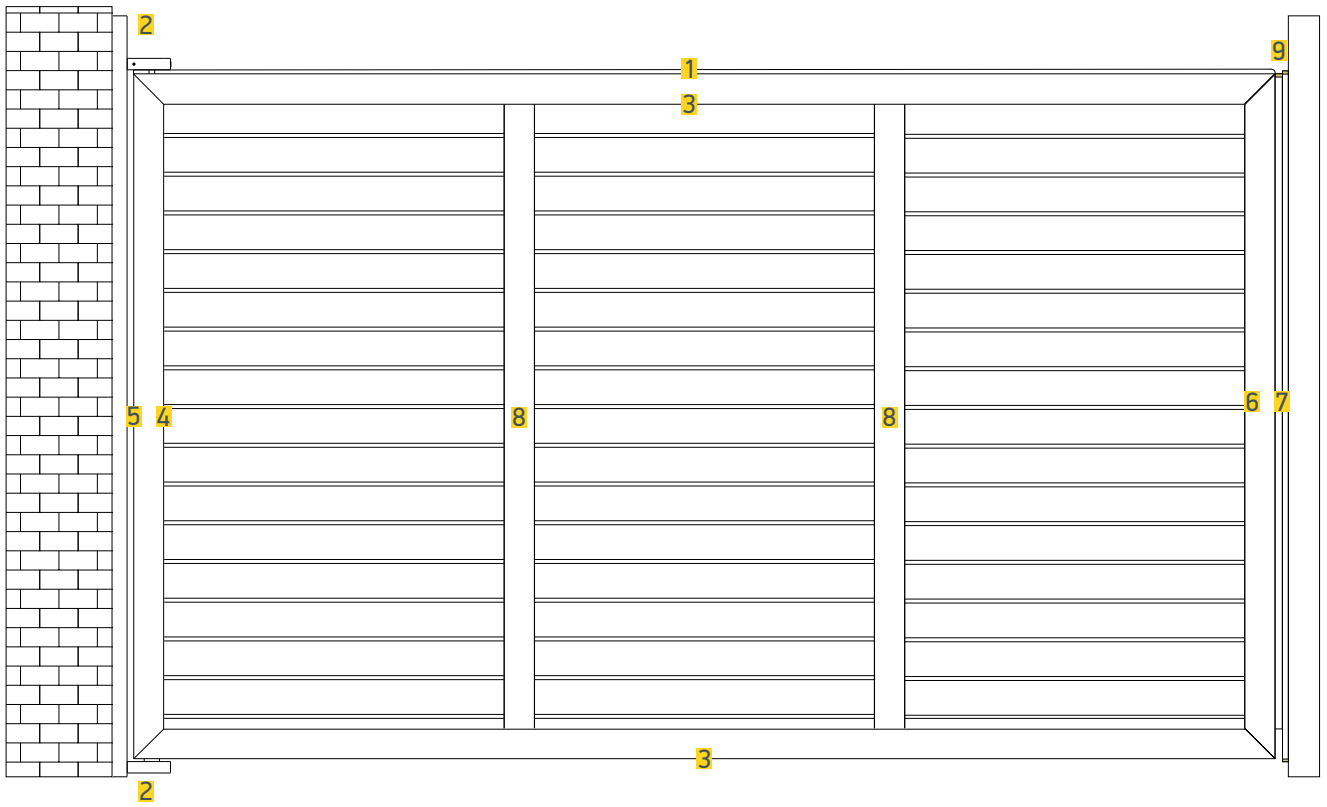


A large, abstract graphic on the left side of the page, composed of several overlapping diagonal bands in shades of yellow and orange, creating a dynamic, geometric pattern.

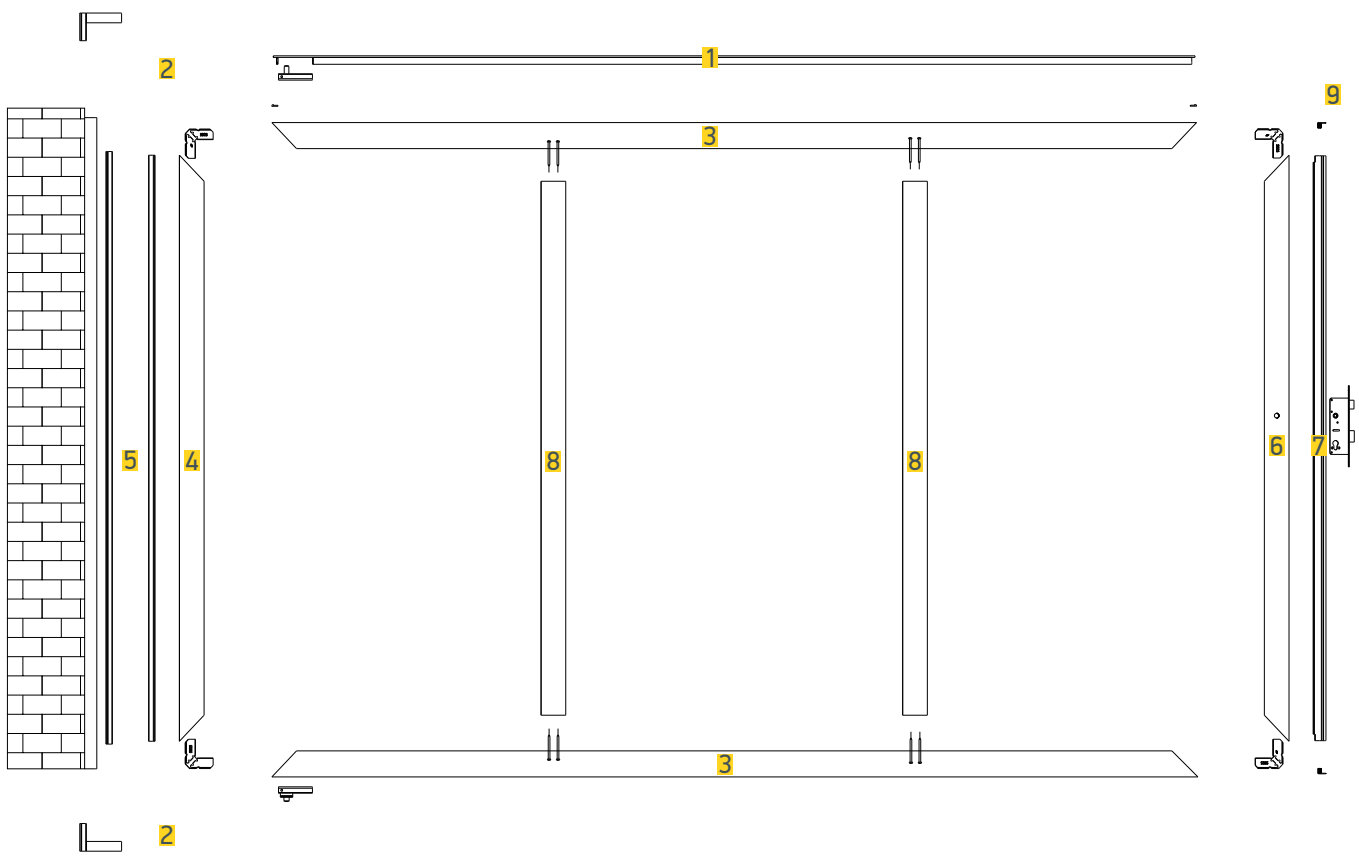
# Hinged Gate

## Ανοιγόμενη αυλόπορτα

Swing gate's cuttings  
Κοπές ανοιγόμενης αυλόπορτας

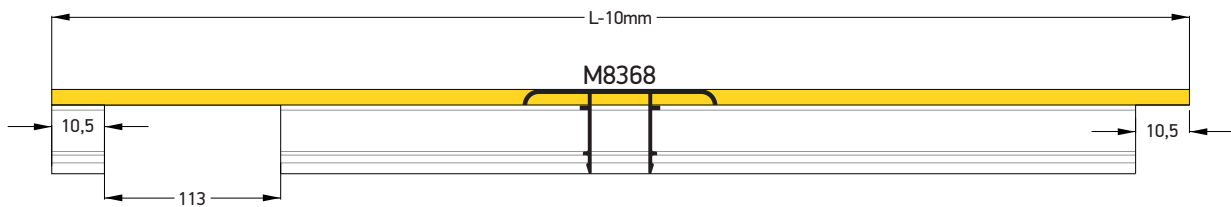
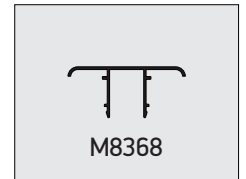
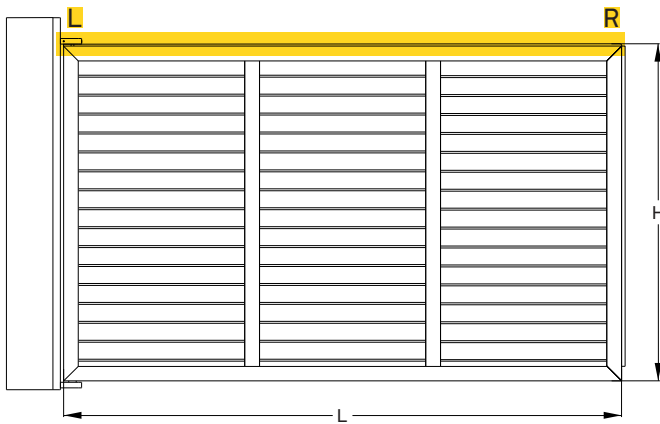


Swing gate's cuttings  
Κοπές ανοιγόμενης αυλόπορτας



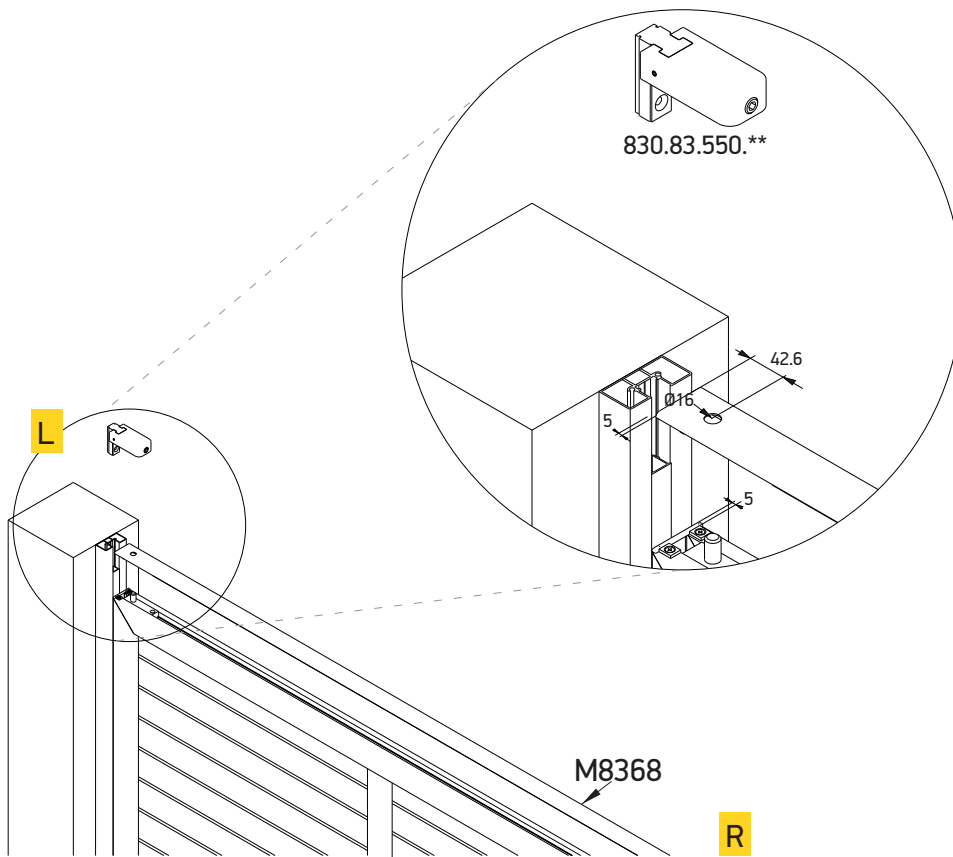
1

Top rail end cover  
Επάνω καπάκι φύλλου πόρτας



2

Pivot Hinge  
Μεντεσές Pivot





## 2

### Pivot Hinge Μεντεσές Pivot

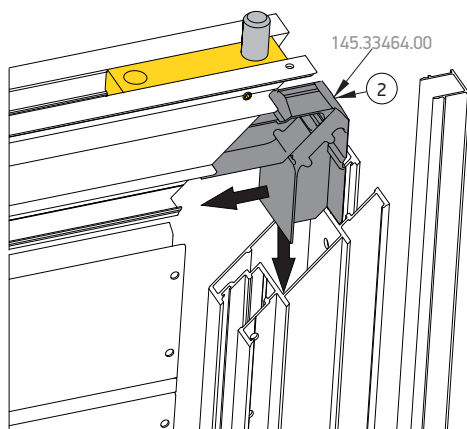
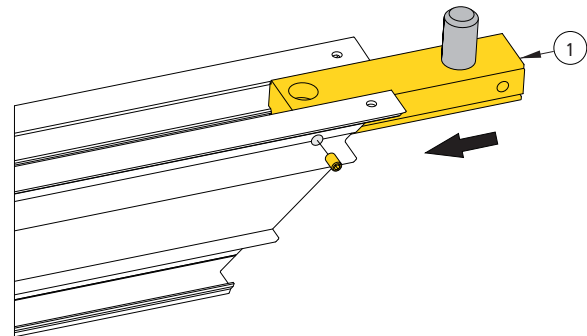


**Προσοχή:**  
**Κατά τη τοποθέτηση**

1. τοποθετούμε τον πύρο του μεντεσέ στο φύλλο της πόρτας

**Caution:**  
**During installation**

1. We place the hinge's pivot into sash

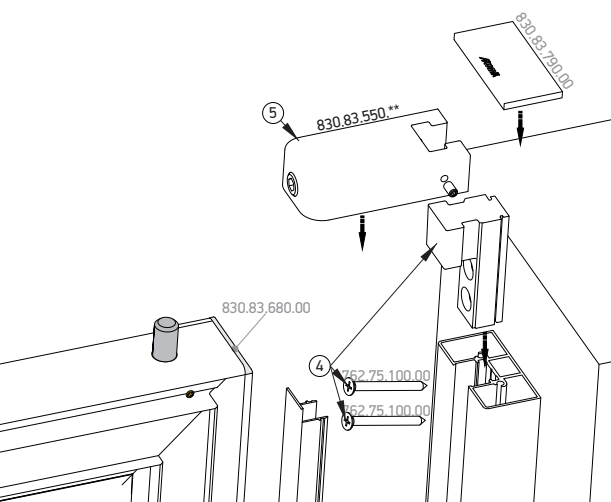
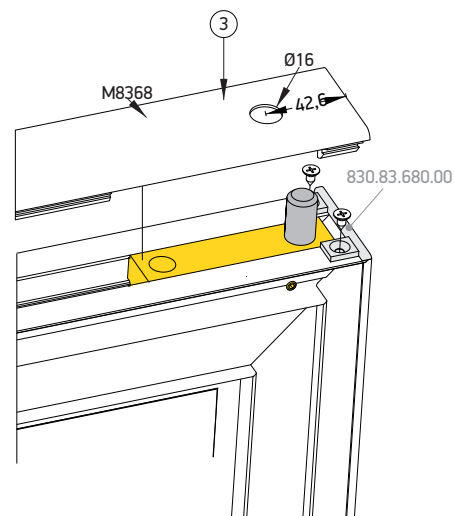


2. Γωνιάζουμε την πόρτα.

2. We corner our door

3. Τοποθετούμε το M8368 επάνω καπάκι φύλλου πόρτας με τις γωνίες 830.83.680.00.

3. Installation of M8368 top rail end cover with corners 830.83.680.00.

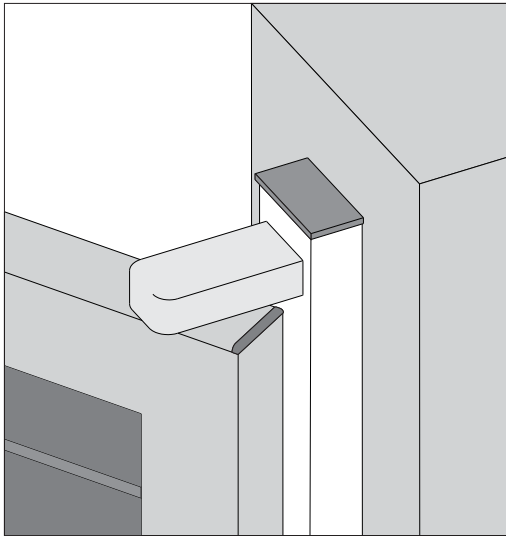


4. Συρταρώνουμε και βιδώνουμε το σύνδεσμο στην κοιλότητα της πόρτας μας και τον κάτω μεντεσέ.  
5. Προσαρτίζουμε τη αυλόπορτα στο κώνικο έδρανο του κάτω μεντεσέ και τοποθετούμε τον επάνω μεντεσέ.

4. Slide and screw the bracket inside the post and assemble the lower hinge.  
5. Attach the gate to the cone bearing of the lower hinge and install install the upper hinge

## 2

### Pivot Hinge Μεντεσές Pivot



#### Σημείωση:

Ανοίξτε το σακουλάκι με το γράσο και τοποθετήστε μια επαρκή ποσότητα στο εσωτερικό συγκρότημα κώνου-κυλίνδρων του ρουλεμάν.

Αυτό θα ωθήσει το γράσο μεταξύ των κυλίνδρων του συγκροτήματος κώνου-κυλίνδρων του ρουλεμάν. Αυτό θα ωθήσει το κλωβού-κώνου.

Έπειτα, τοποθετήστε τον κώνο στη θέση του, στο κάτω Pivot. Στη συνέχεια αφού τοποθετηθεί ο κώνος στο Pivot τοποθετήστε το υπόλοιπο γράσο από το επάνω μέρος προς τα κάτω. Αυτό το στρώμα γράσου που δημιουργείται καταπολεμά την υγρασία.

Το γράσο διατηρείται στην περιοχή έδρασης με την βοήθεια του O-ring

#### Προσοχή:

Κατά την διάτρηση οπών στους αλουμιένιους στύλους βεβαιωθείτε ότι δεν έχουν πέσει ρινίσματα στην υποδοχή του κωνικού ρουλεμάν και ότι κανένα τμήμα του συγκροτήματος κώνου-κυλίνδρων δεν θα έρθει σε επαφή με αυτά γιατί θα καταστραφεί!

#### Note:

Open the little bag with the grease and put an adequate quantity of it (the grease) on the inside of the cone-cylinder assembly of the ball bearing.

This process will push the grease in between of the assembly of the cone, cylinders and the cage.

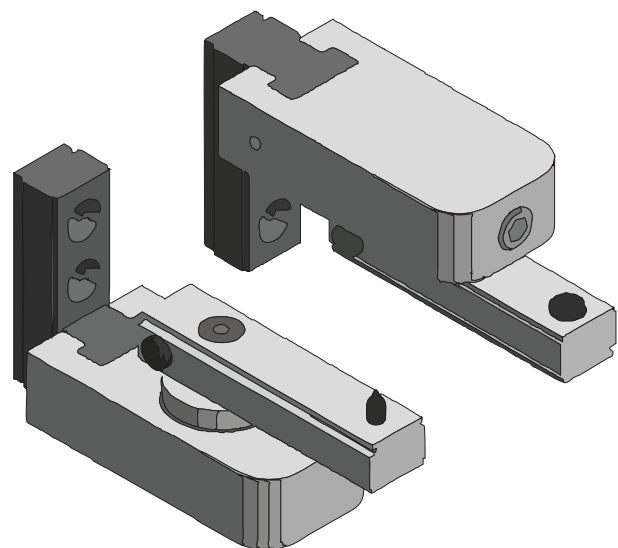
Then, the cone will be placed in the down pivot position. In addition, after the placement of the cone in the pivot position, put the rest of the grease from the top to the bottom side.

This will make a layer that fights the moisture and maintains the grease in the active area with the help of O-ring.

#### Attention:

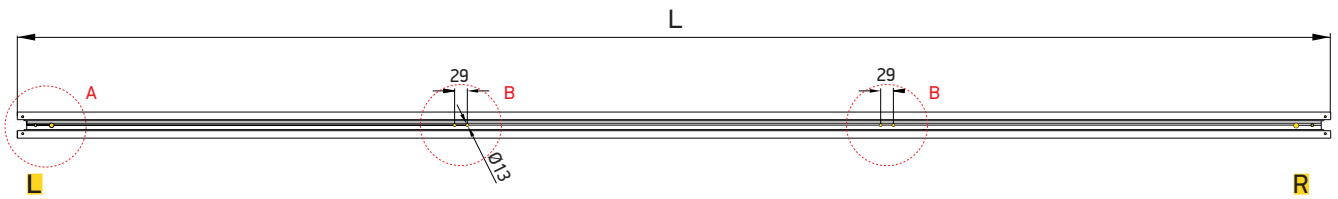
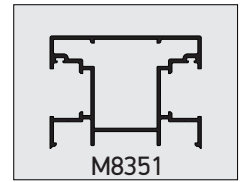
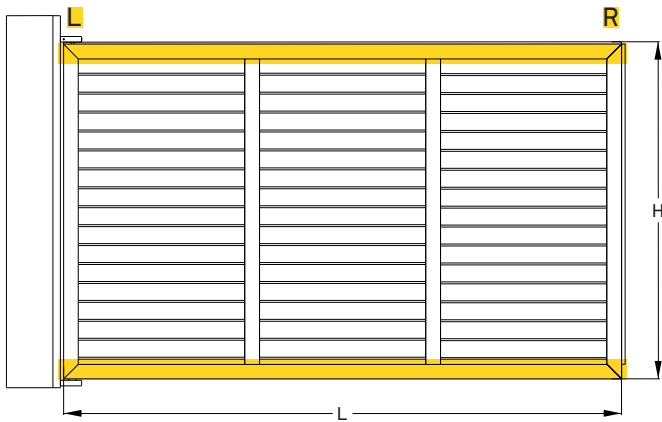
When drilling holes in aluminum pillars, make sure that no filings have fallen into the socket of the conical bearing

and that no part of the cone-cylinder assembly will come into contact with them as it will be damaged!



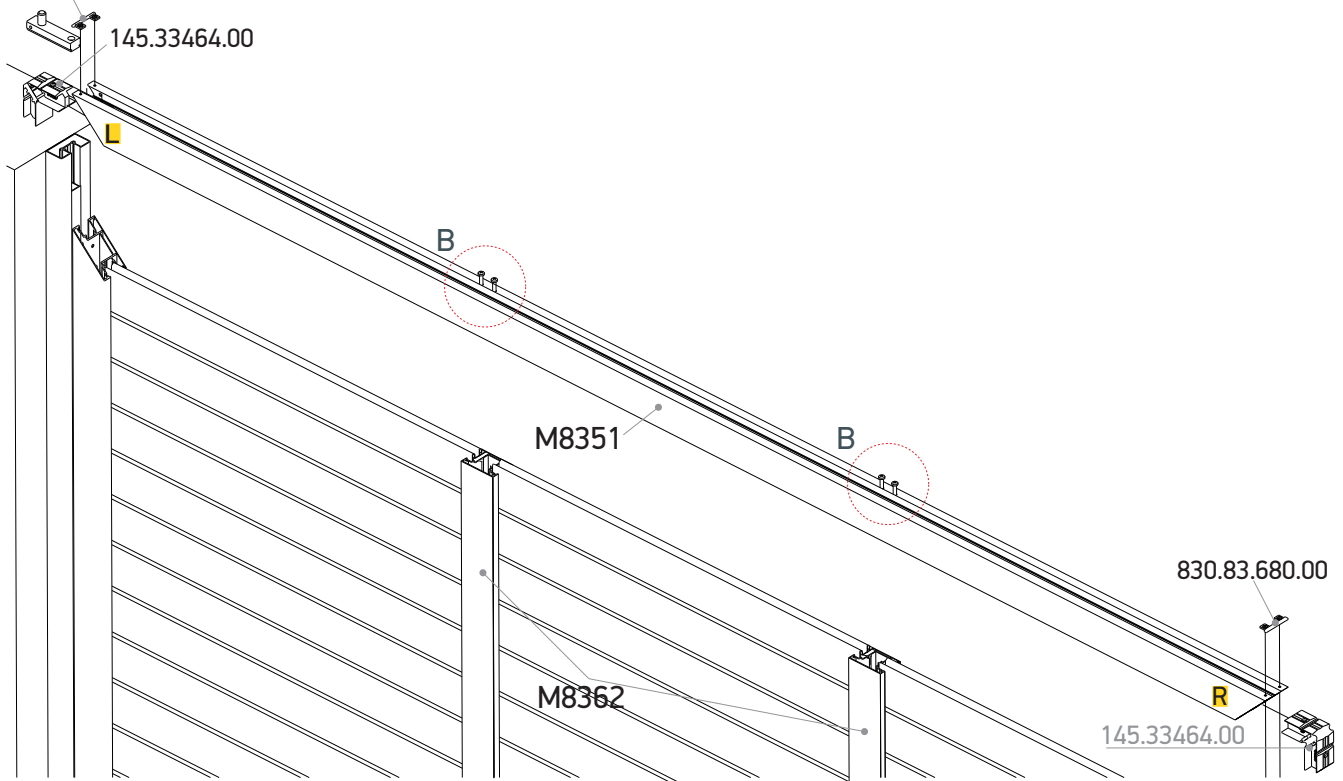
3

Top and down rail  
Επάνω φύλλο πόρτας



830.83.680.00

145.33464.00



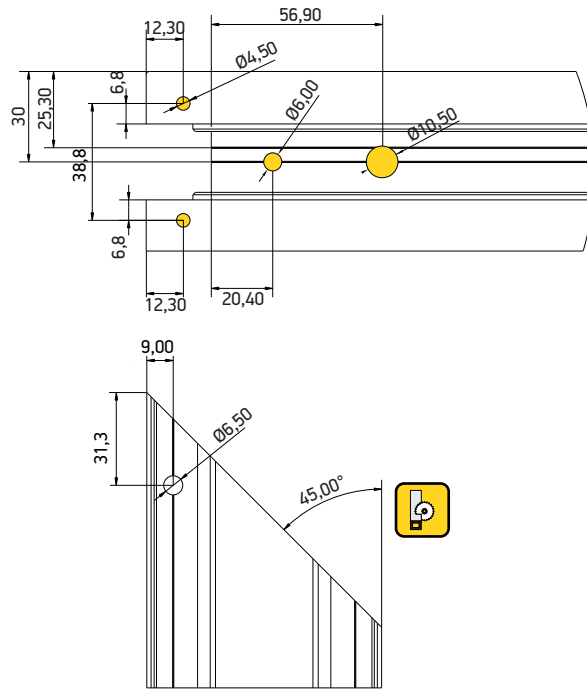
830.83.680.00

145.33464.00

## 3

### Top and down rail Επάνω φύλλο πόρτας

A

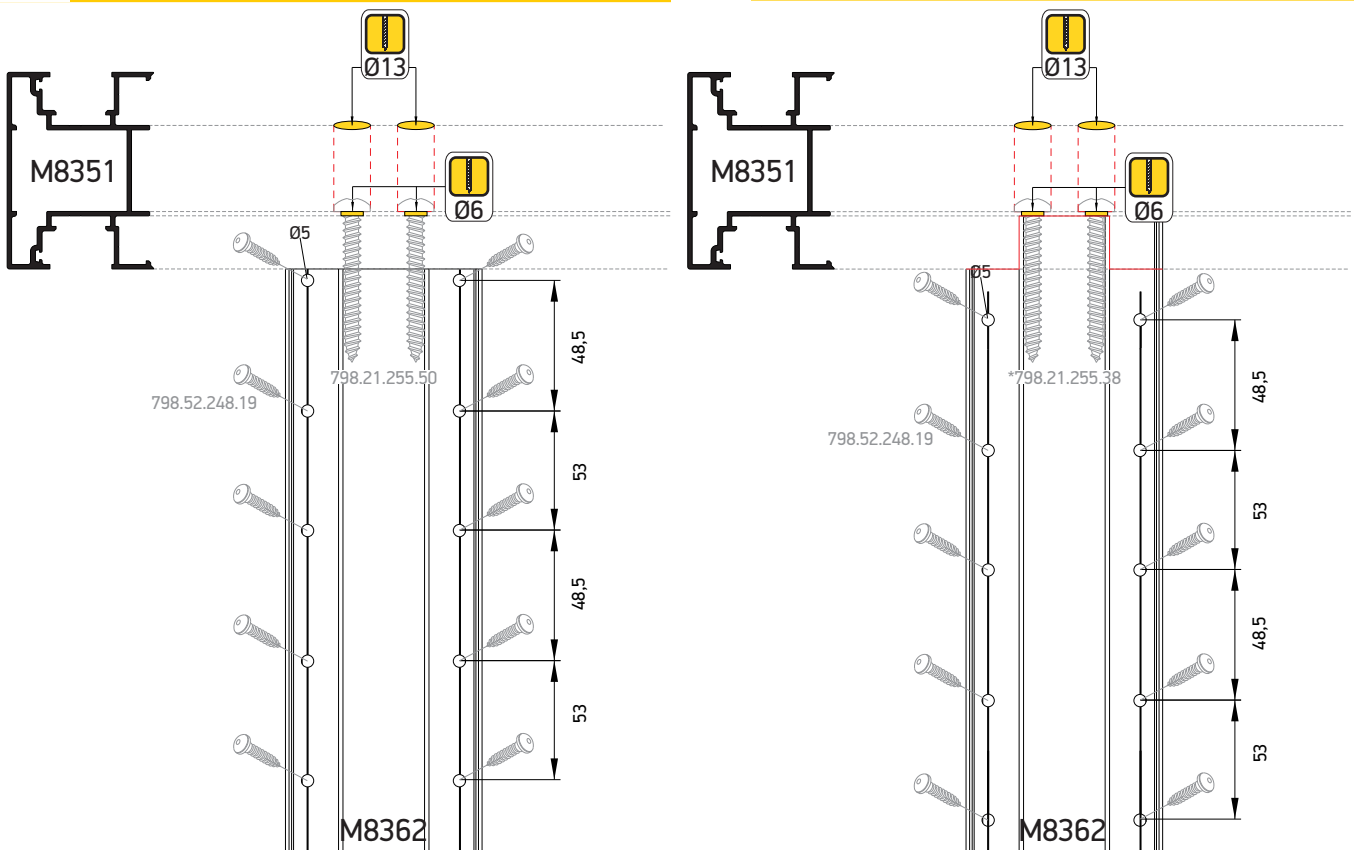


B

Top and down rail M8351 with Transom M8352  
Τοποθέτηση M8351 με τραβέρσα M8352

B\*

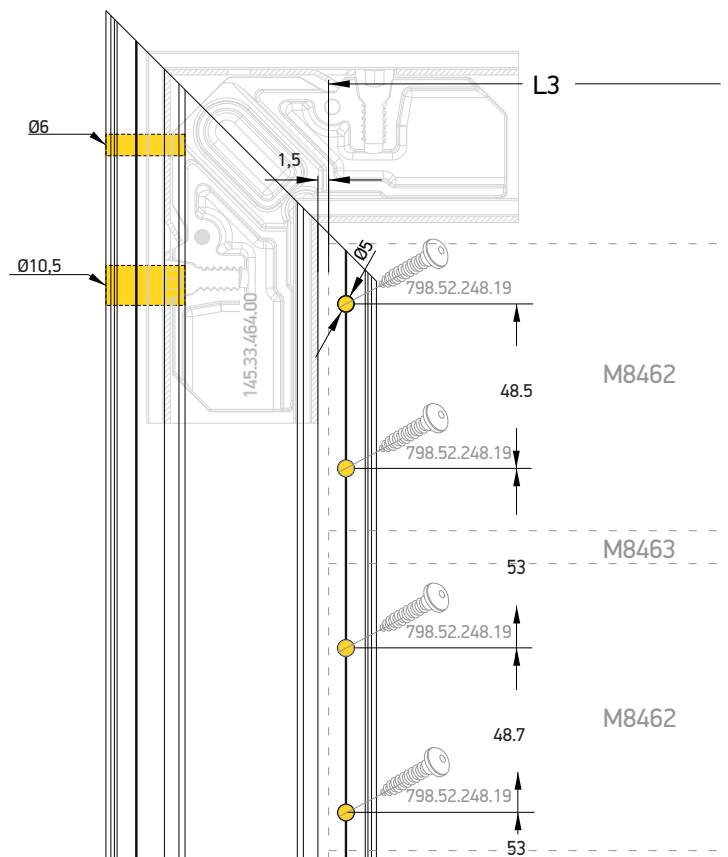
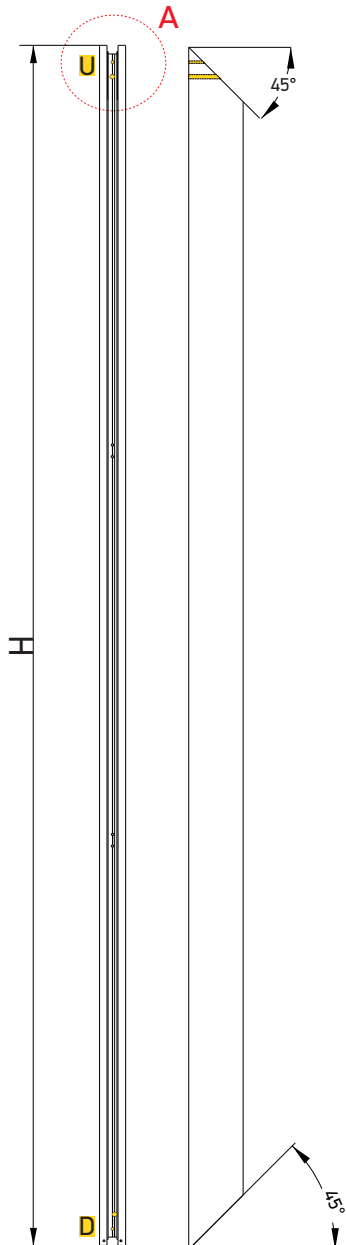
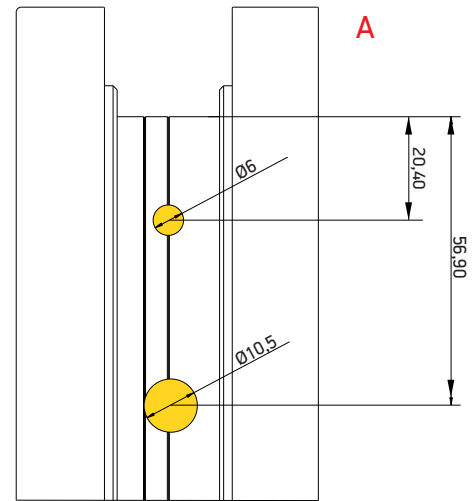
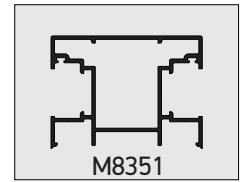
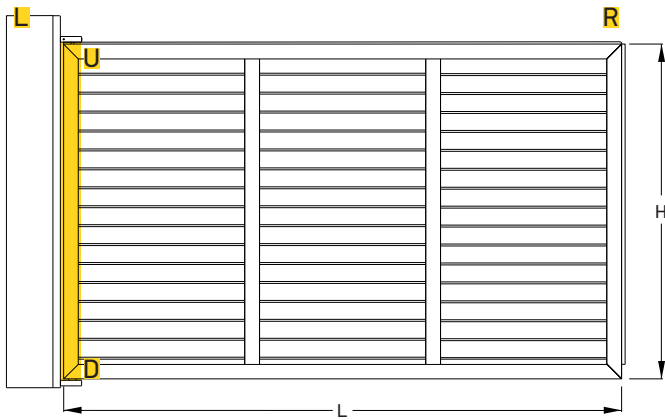
Top and down rail M8351 with milling transom with cutting tool 852.08.362.00  
Τοποθέτηση επάνω φύλλου M8351 μαζί με κατεργασμένη τραβέρσα M8352 με ξηλουργικό 852.08.362.00



\*798.21.255.38 for cuttings with cutting tool 852.08.362.00  
\*798.21.255.38 για κοπές με ξηλουργικό εργαλείο 852.08.362.00

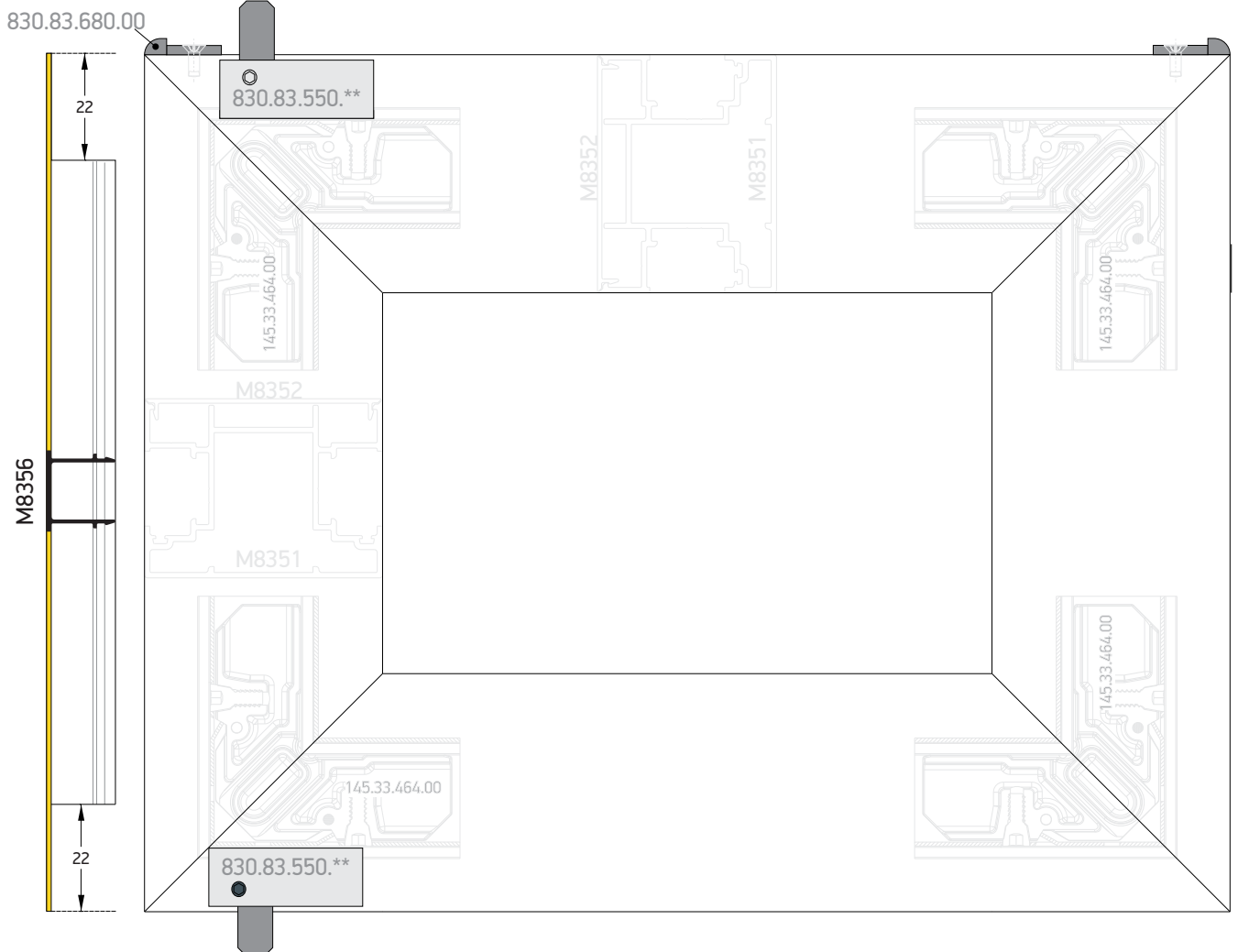
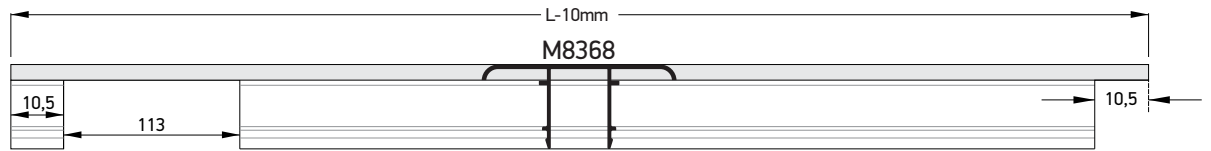
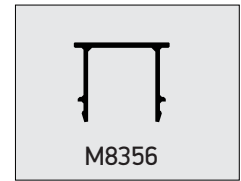
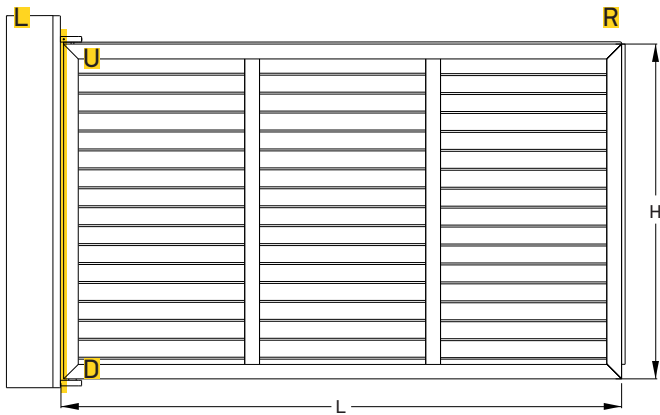
4

Back gate sash  
Πίσω φύλλο πόρτας



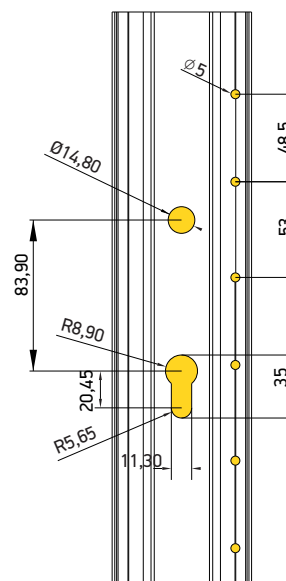
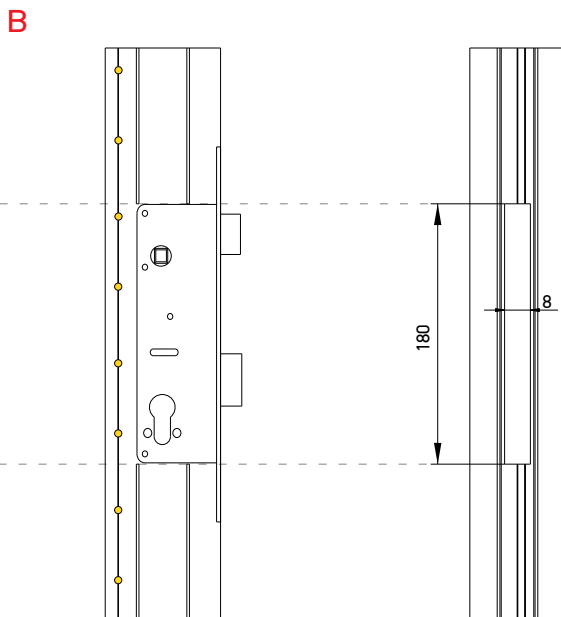
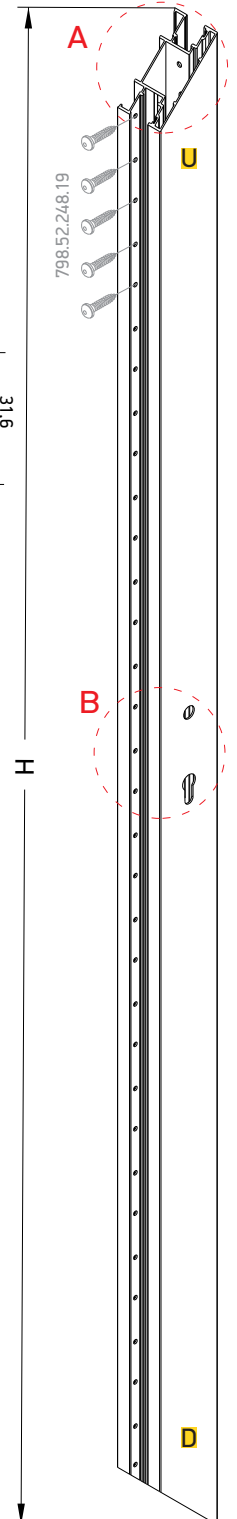
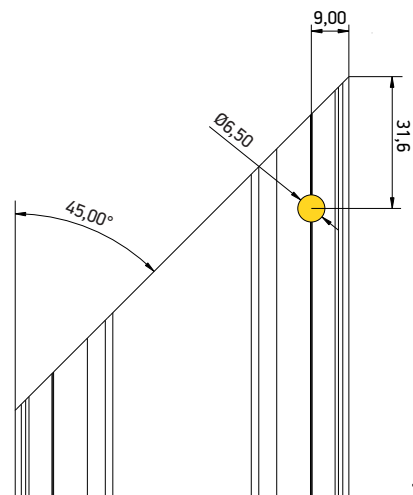
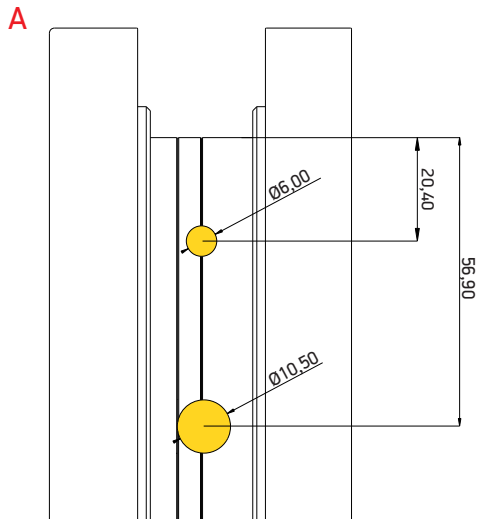
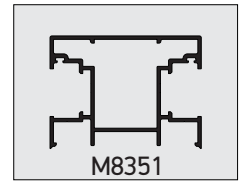
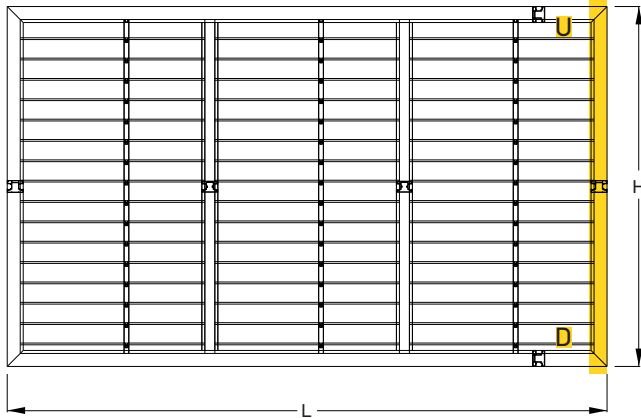
5

Back Sash Gate's profile cover  
καπάκι πίσω φύλλου πόρτας



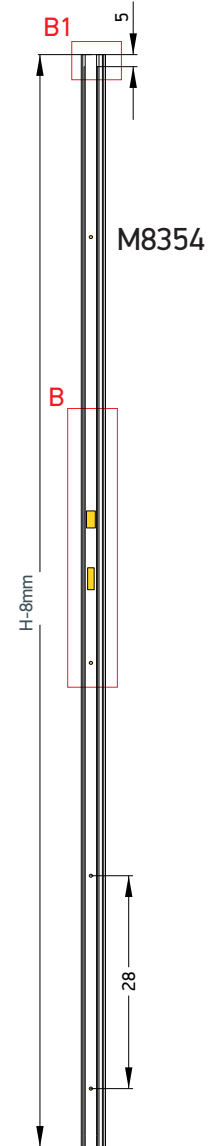
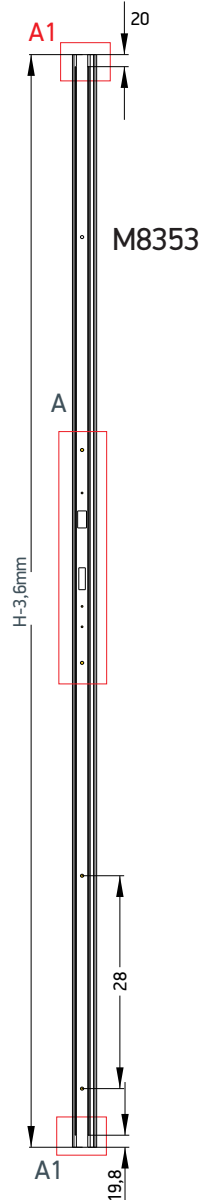
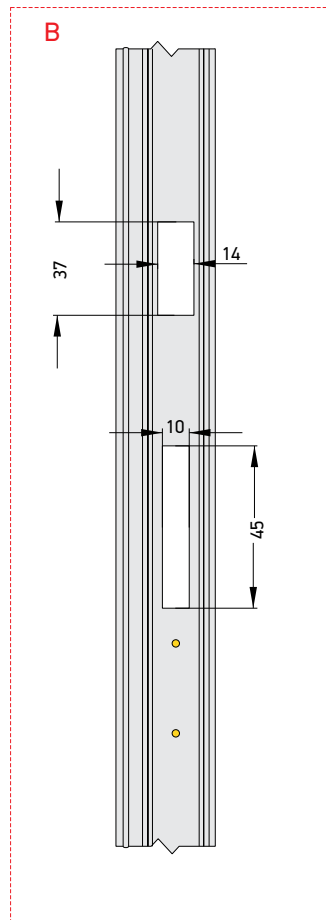
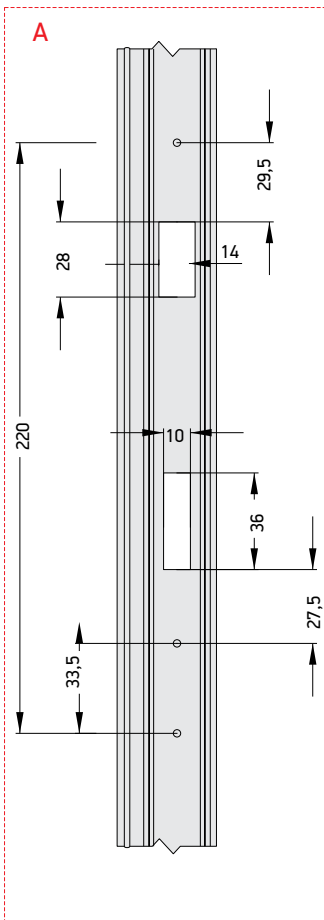
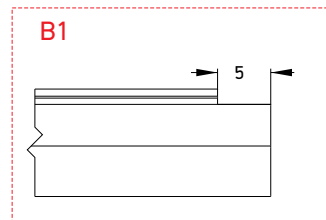
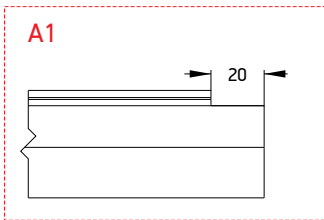
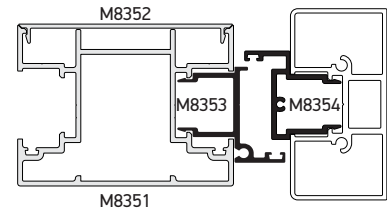
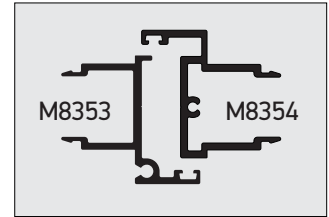
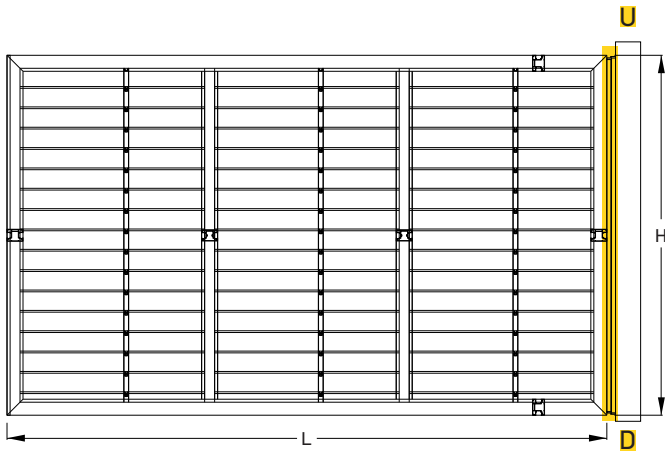
## 6

### Front locker gate sash Εμπρόσθιο φύλλο πόρτας κλειδαριάς



7

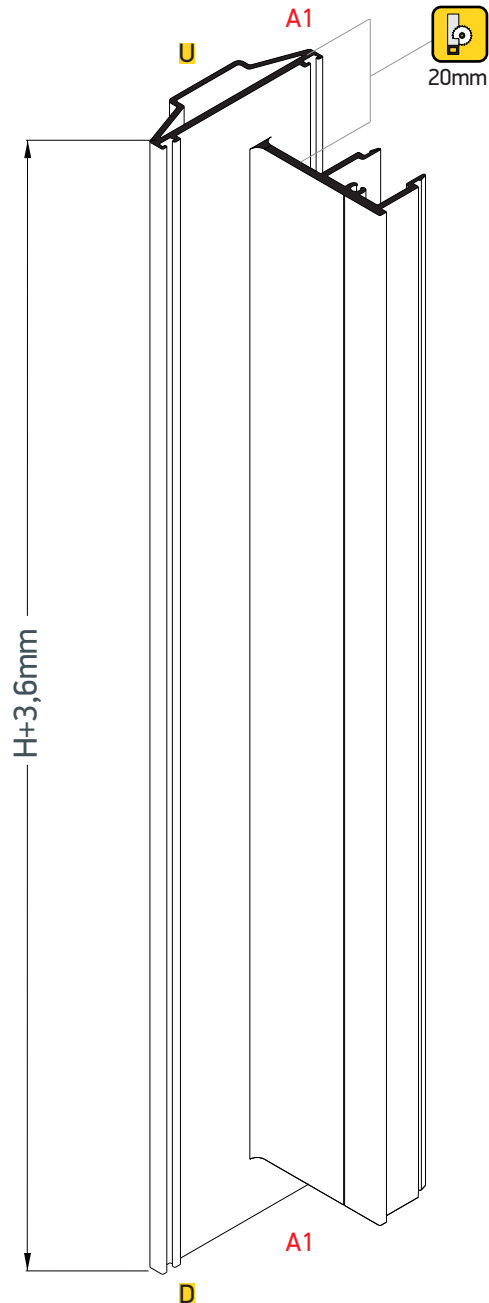
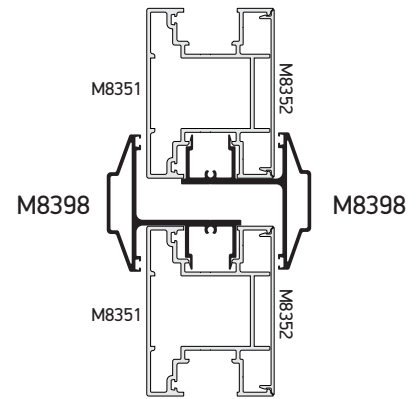
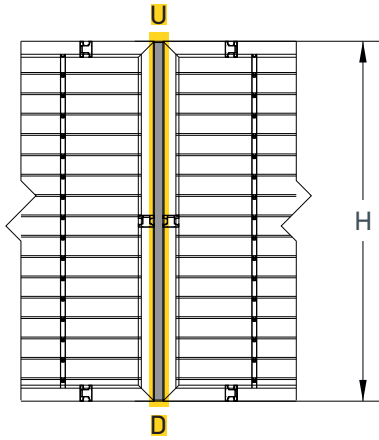
Sash Gate's locker adjoining profile  
Μπινί κλειδαριάς και αντικρίσματος φύλλου πόρτας





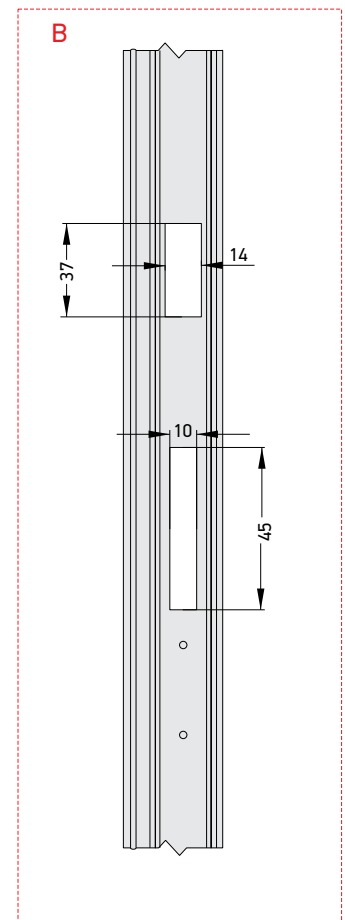
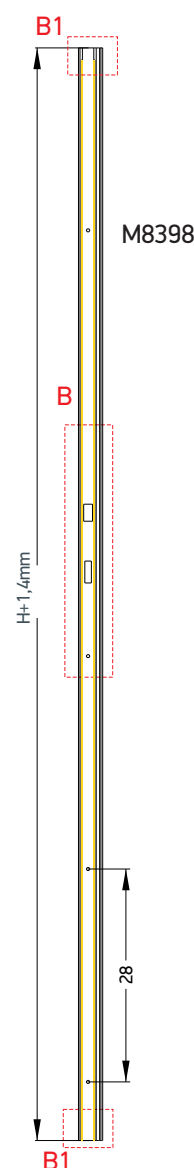
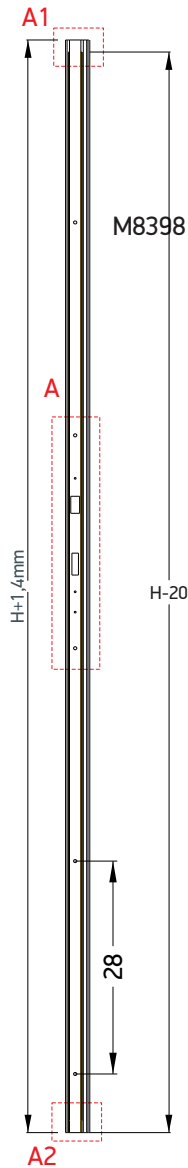
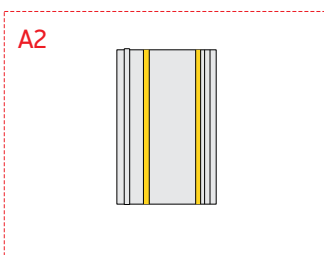
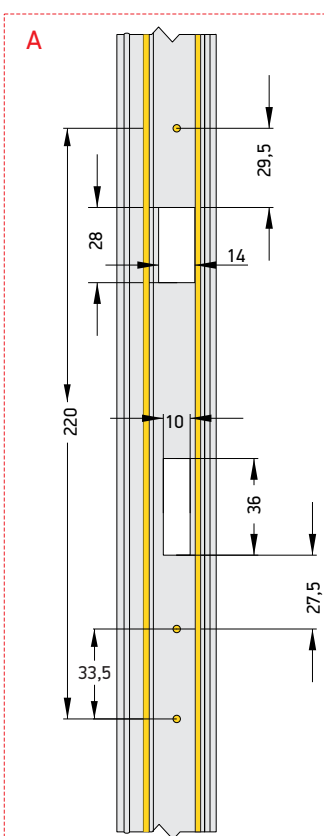
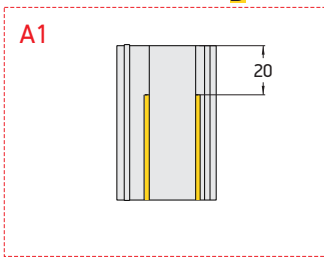
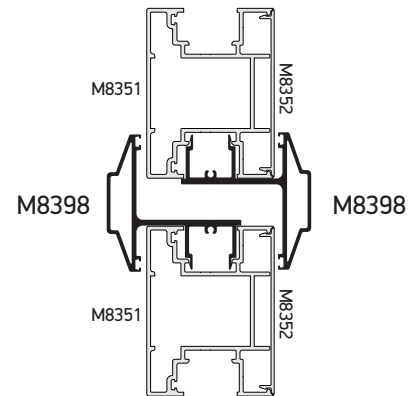
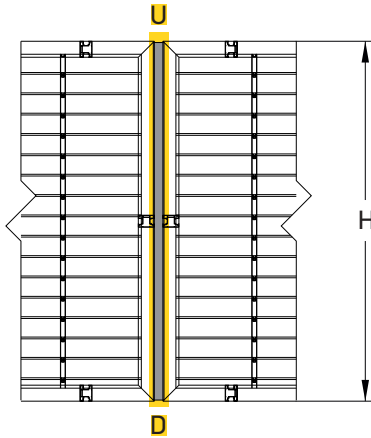
7

Double Gate's sash  
Μπινί δίφυλλης πόρτας



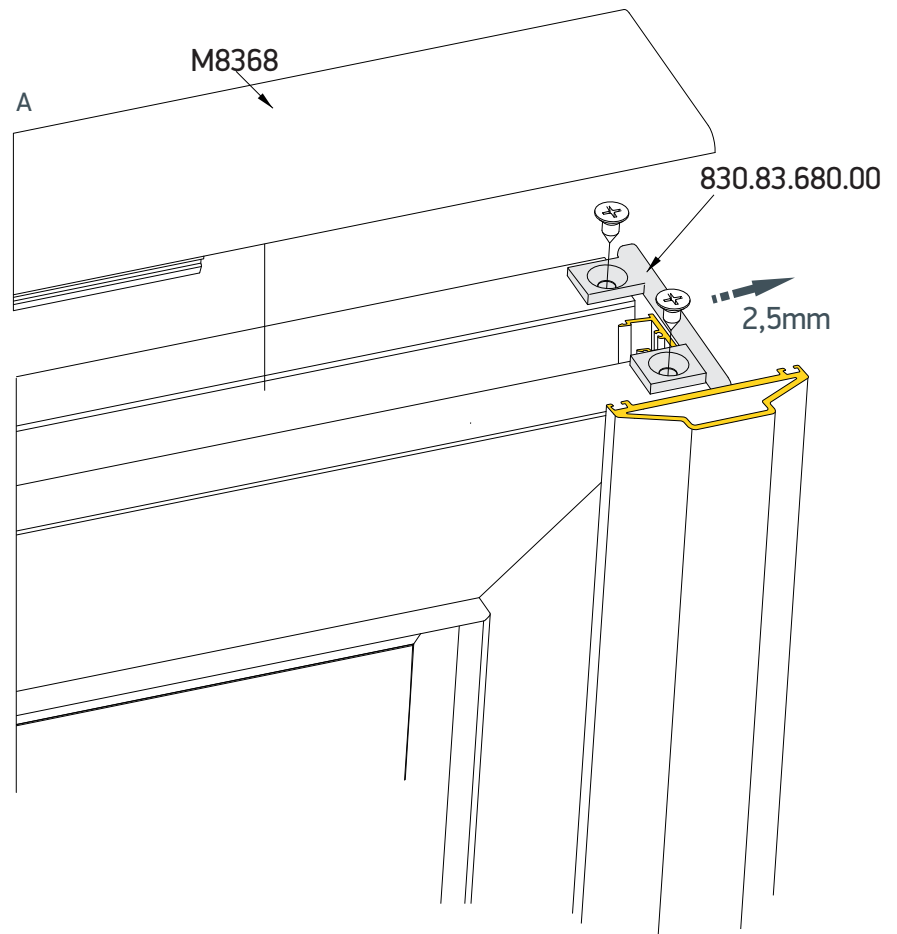
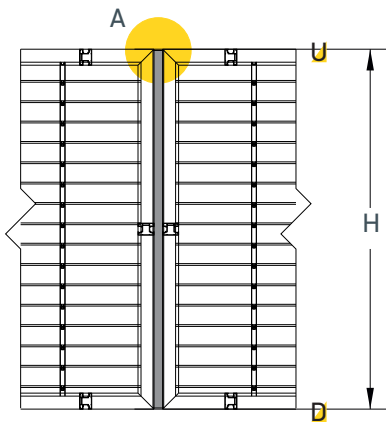
7

## Double Gate's sash Μπινί δίφυλλης πόρτας



7

## Double Gate's sash Μπινί δίφυλλης πόρτας

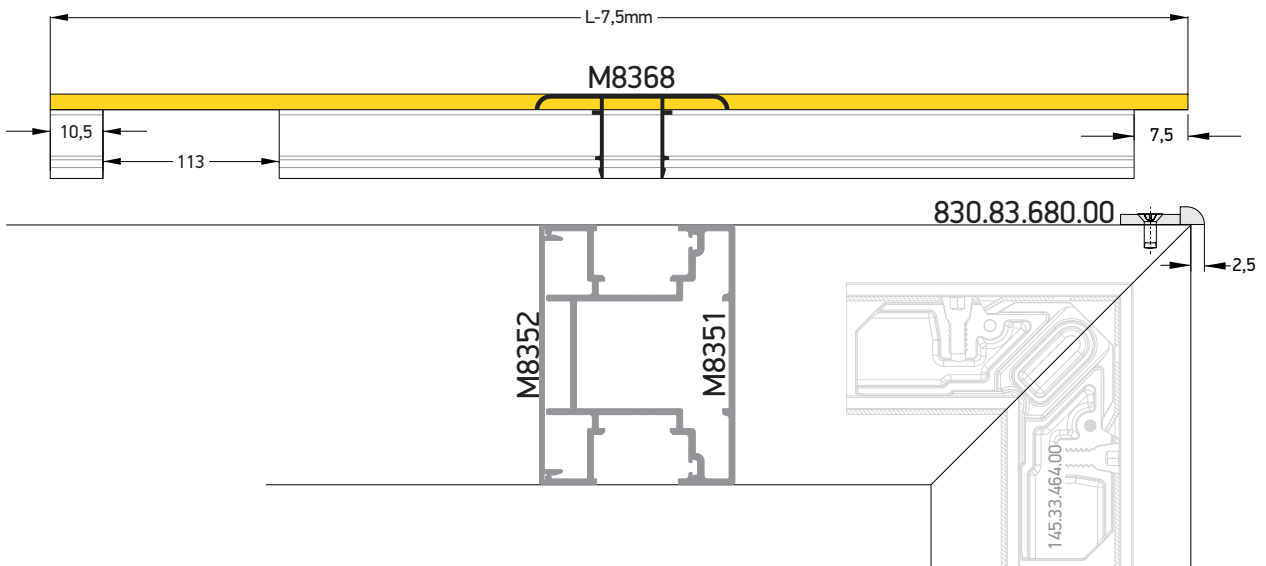


830.83.680.00



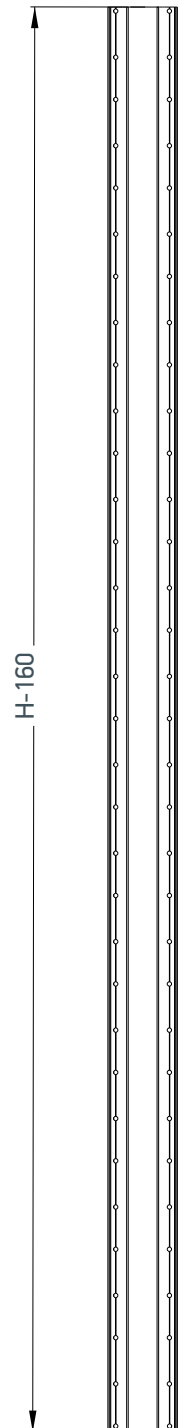
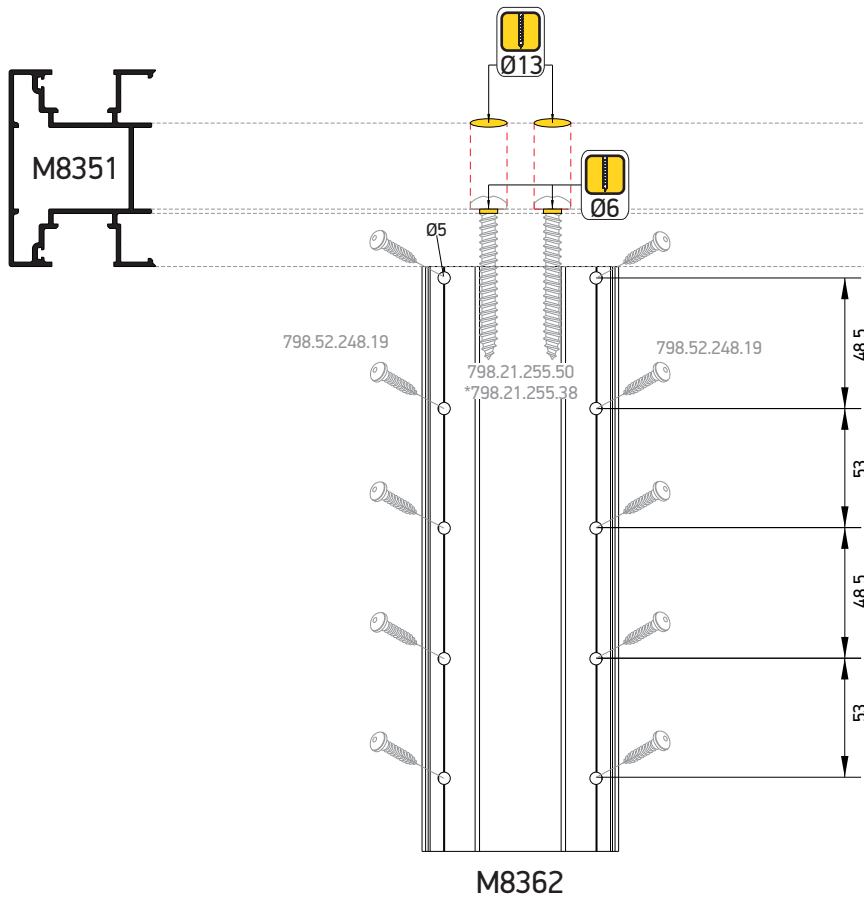
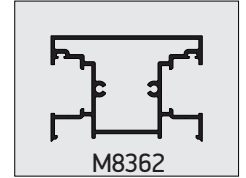
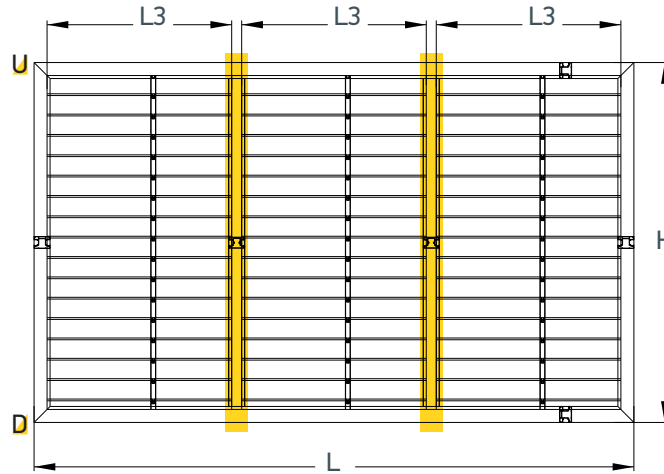
Όταν χρησιμοποιούμε το M8398  
η προστατευτική γωνία της πόρτας, από τη μεριά του μπινιού, μετακινείται κατά 2,5 mm  
έτσι ώστε να καλύψει τη πλευρά του μπινιού M8398  
και η κουπαστή κόβεται L-7,5mm

When we use M8398  
the protective corner of the door is moved by 2,5 mm to cover the adjoining profile M8398  
the handrail is cut L-7,5 mm



8

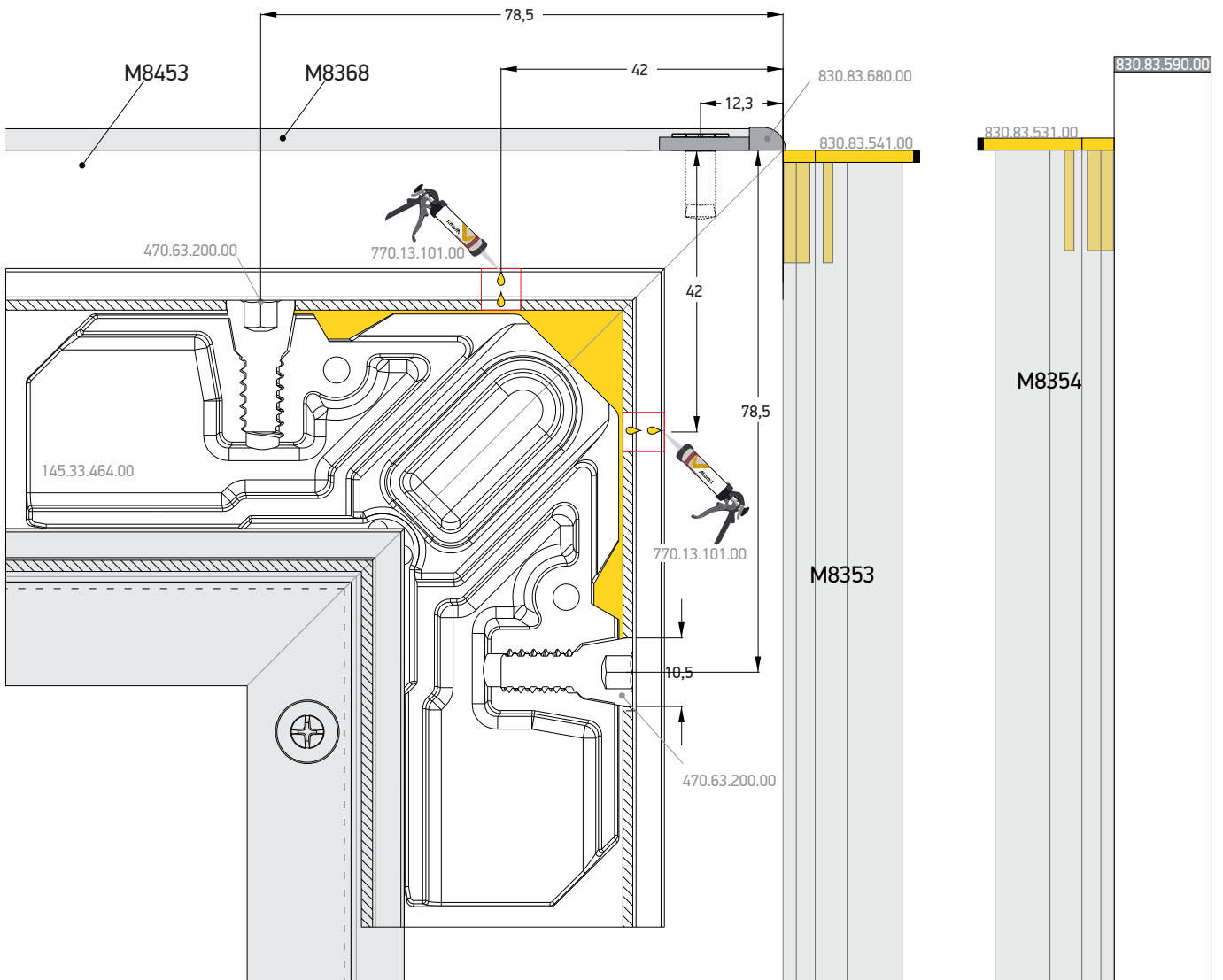
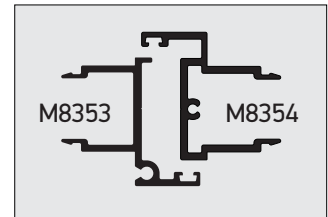
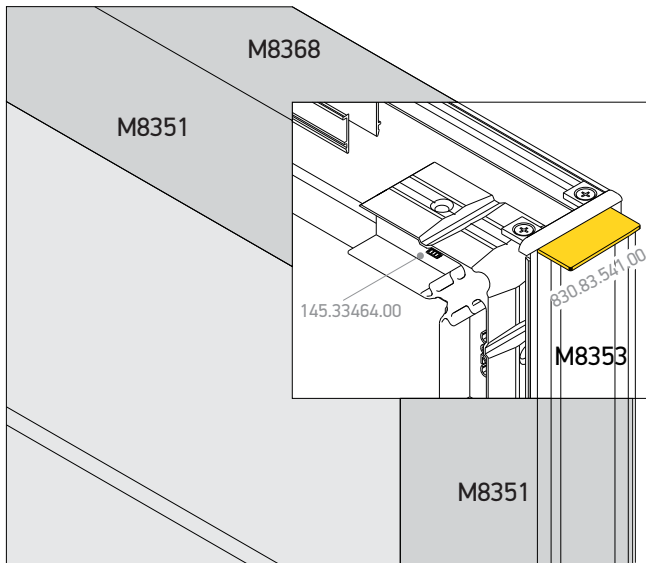
Transom hinged gate  
 Τραβέρσα ανοιγόμενης αυλόπορτας

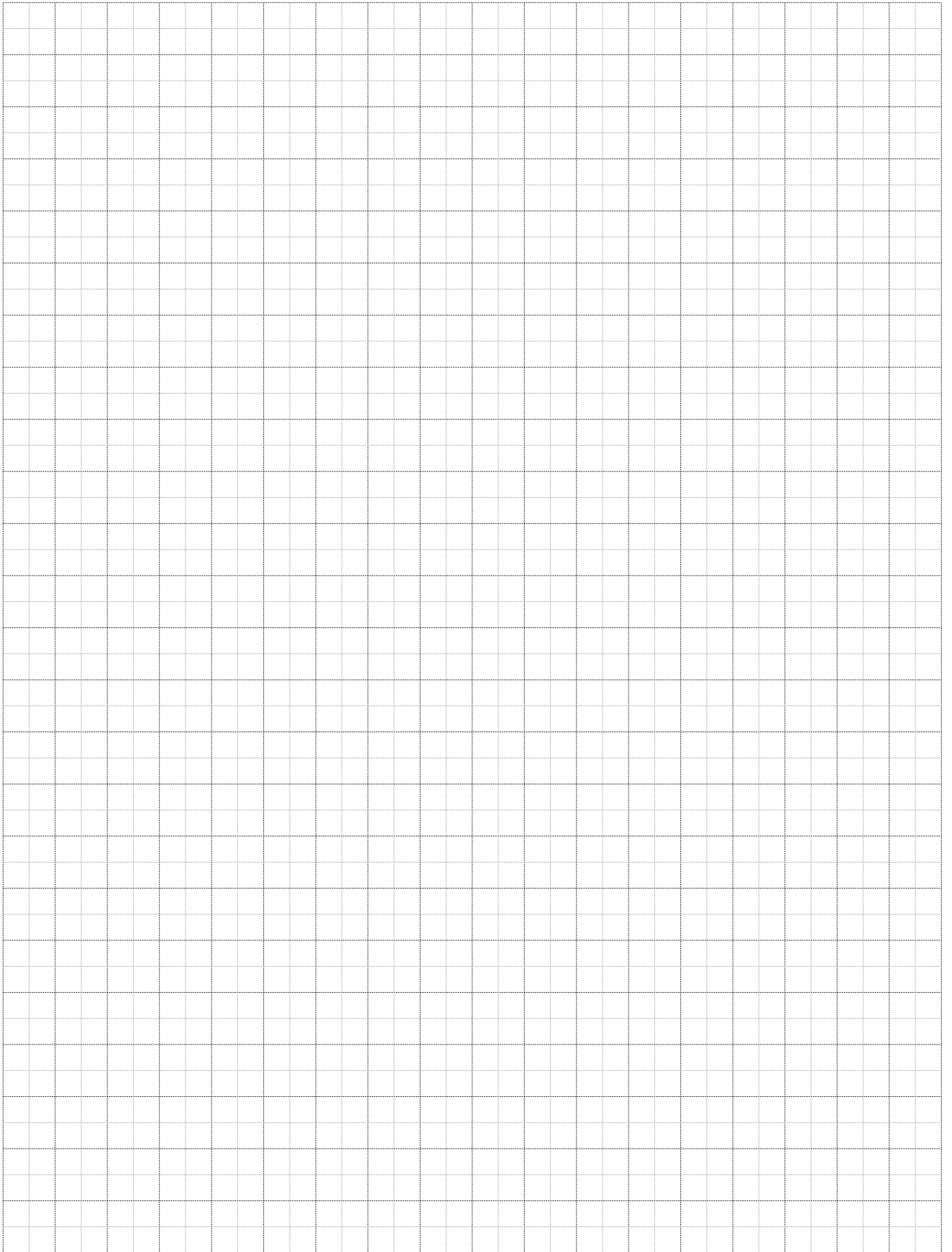


\*798.21.255.50 for cuttings with cutting tool 852.08.362.00  
 \*798.21.255.38 για κοπές με χειρουργικό εργαλείο 852.08.362.00

9

Installation of hinged gate's connection corner  
 Τοποθέτηση γωνίας σύνδεσης ανοιγόμενης αυλόπορτας



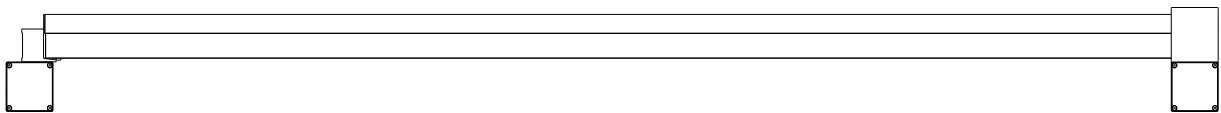
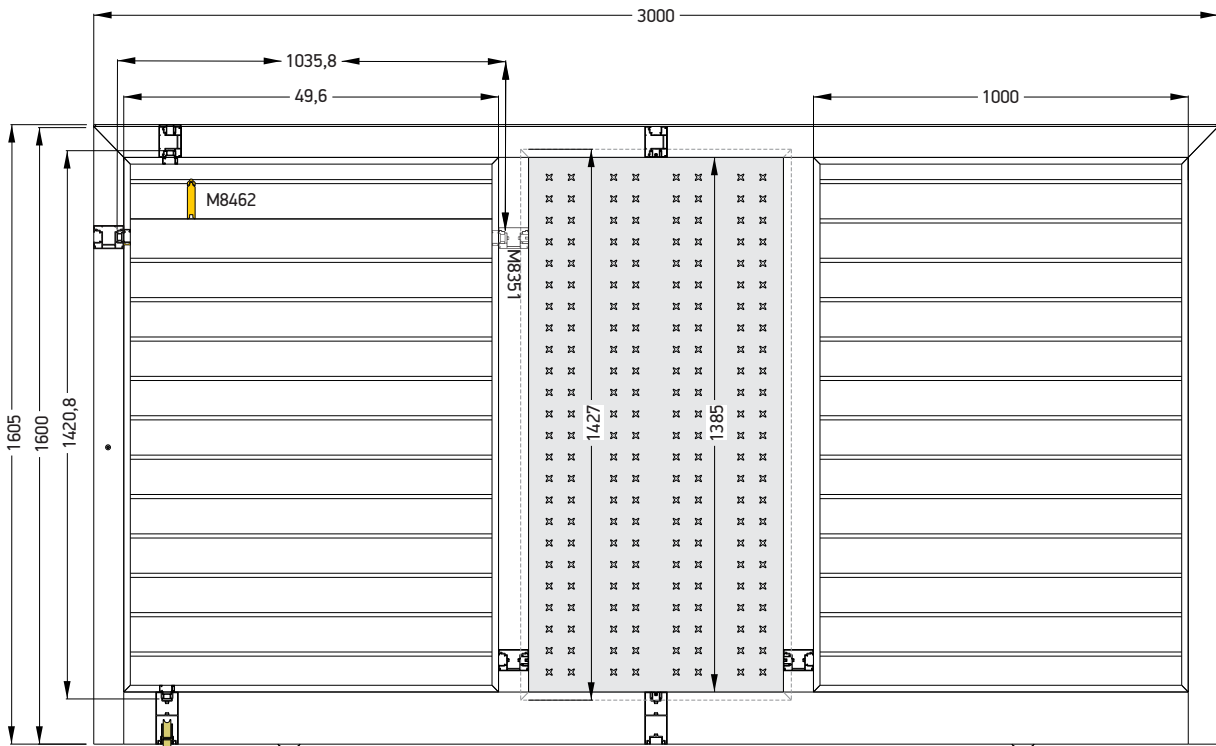


A large, abstract graphic on the left side of the page, composed of several overlapping diagonal bands in shades of yellow and orange, extending from the top left towards the center.

# Sliding Gate

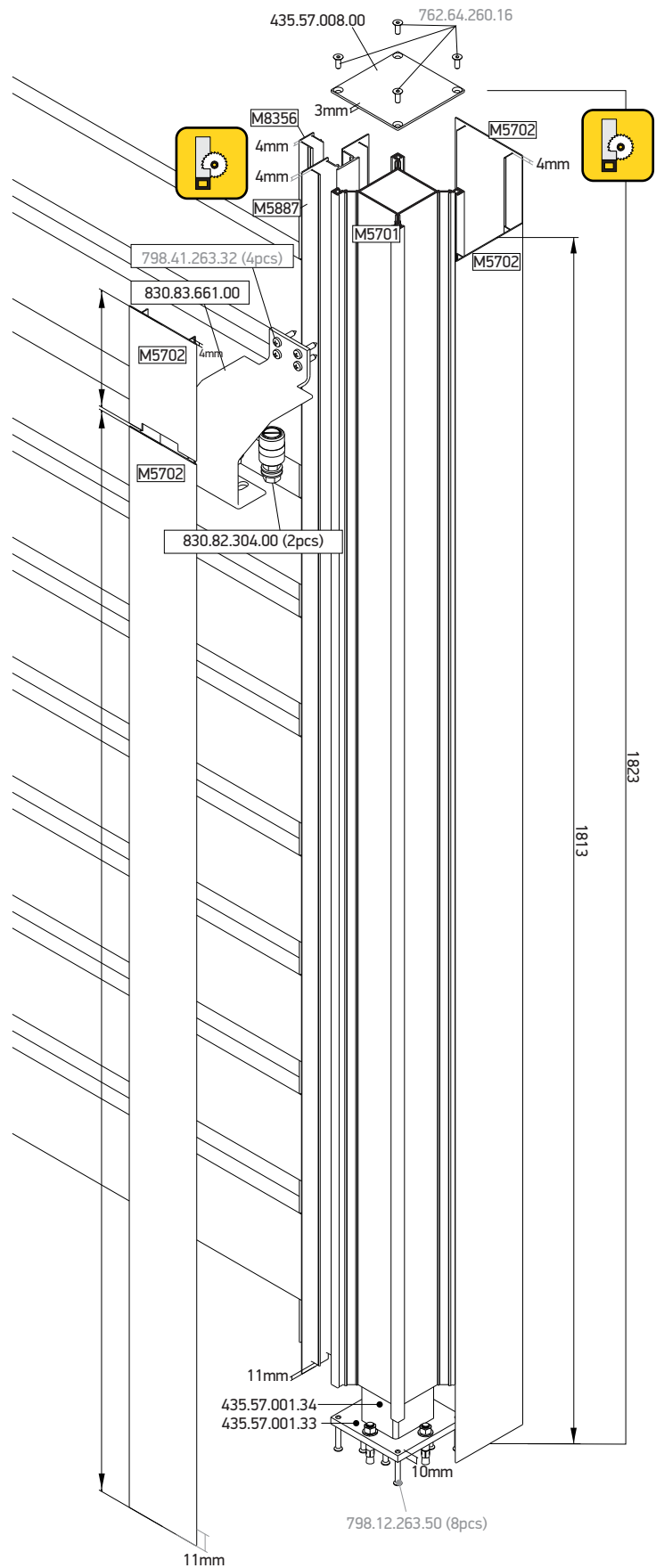
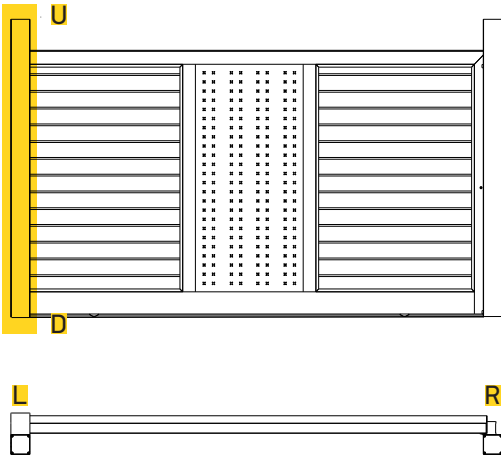
## Συρόμενη αυλόπορτα

Sliding gate's cuttings  
Κοπές συρόμενης αυλόπορτας



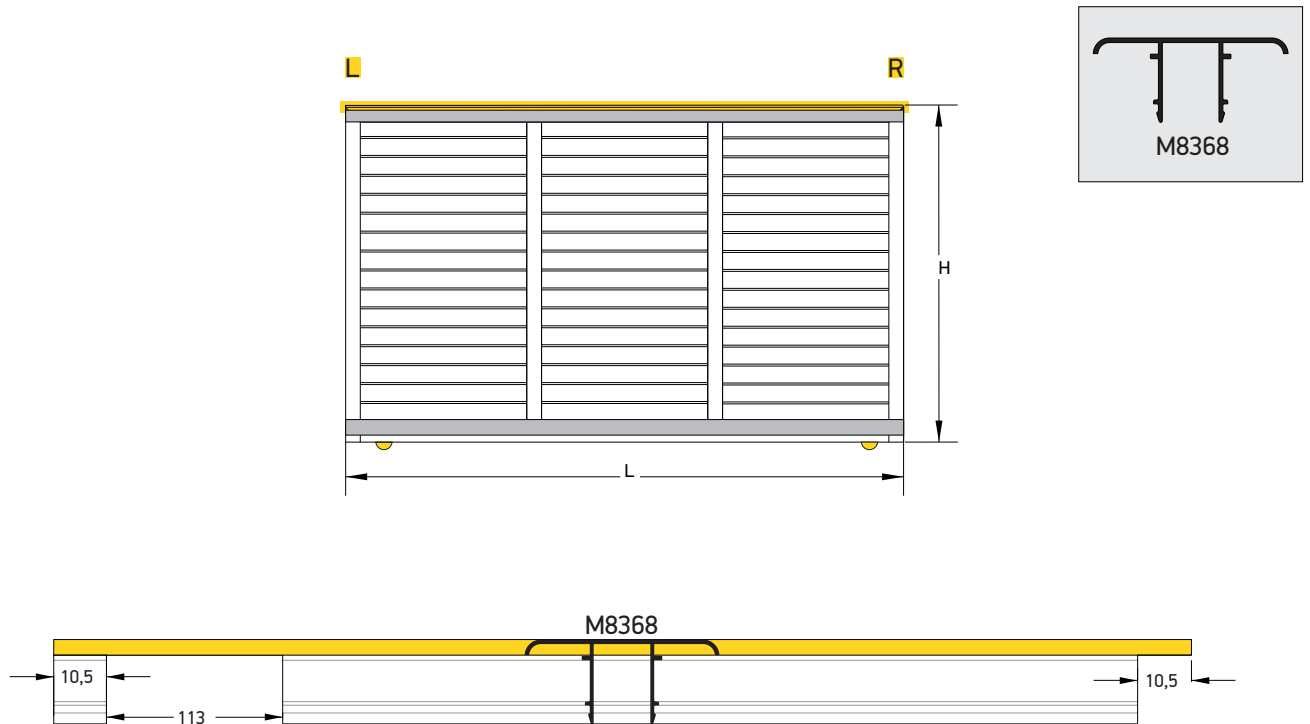


Aluminium Mullion 120mm  
Κοίλινα Αλουμινίου 120mm



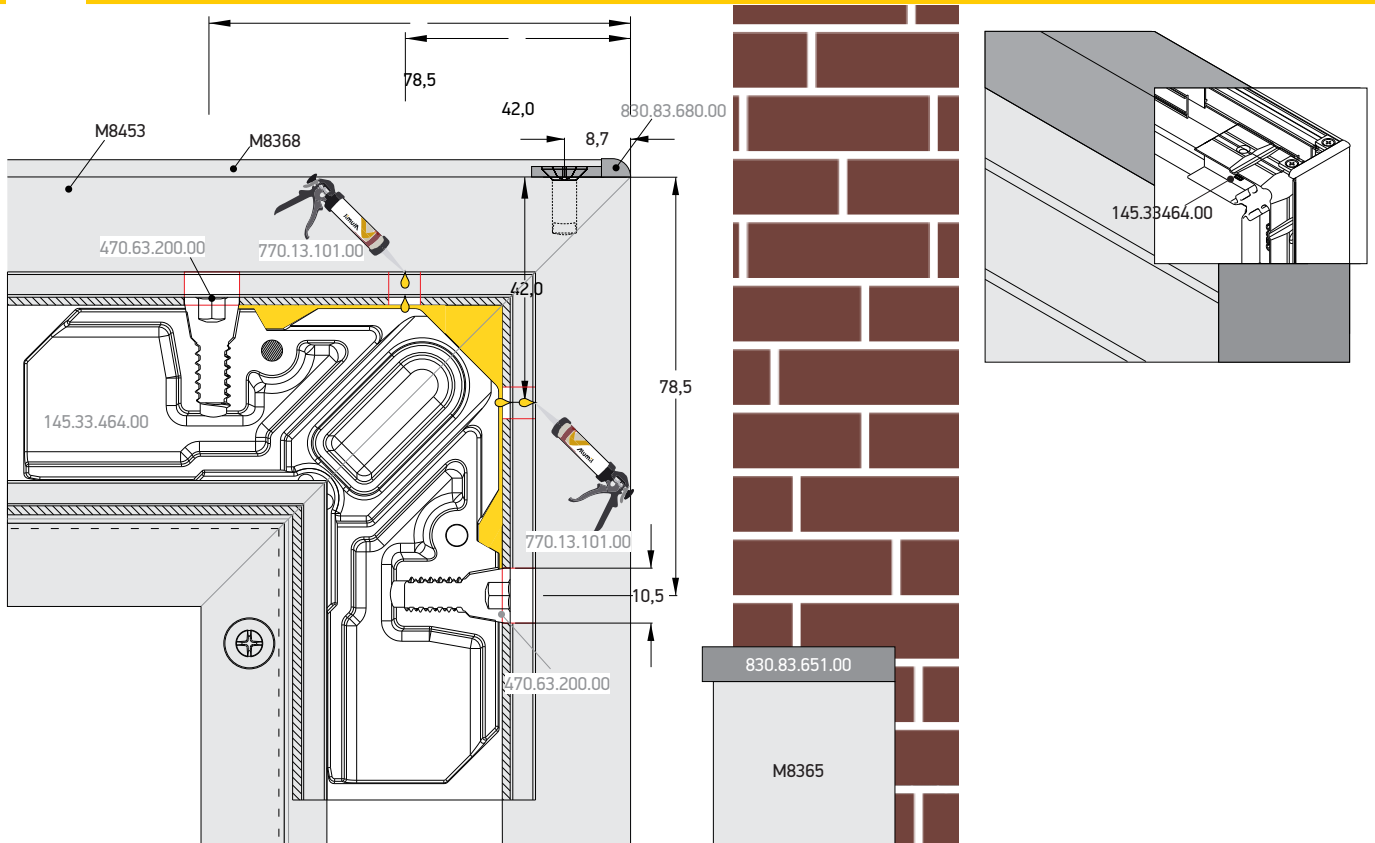
1

Top rail end cover  
Επάνω καπάκι φύλλου πόρτας



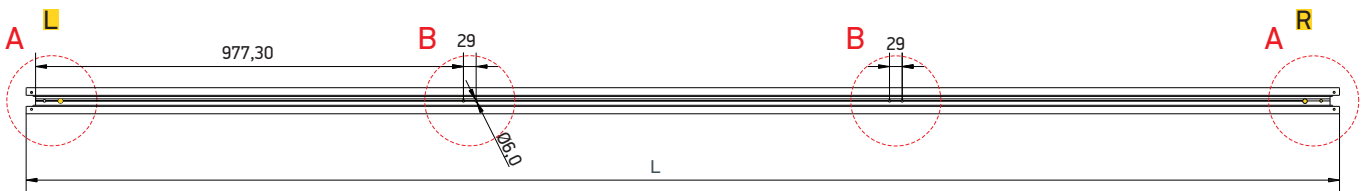
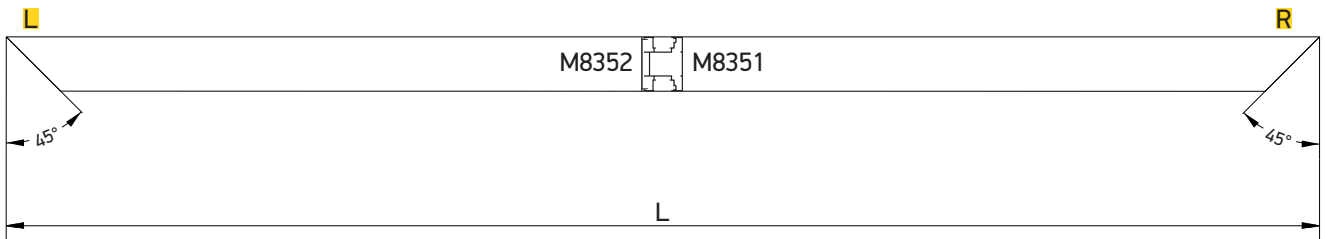
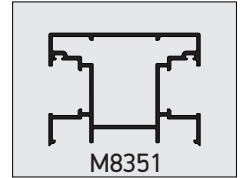
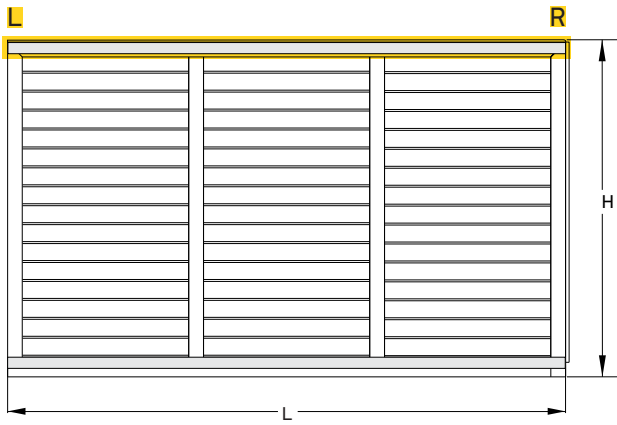
2

Installation of sliding gate's connection corner  
Τοποθέτηση γωνίας σύνδεσης συρόμενης αυλόπορτας



3

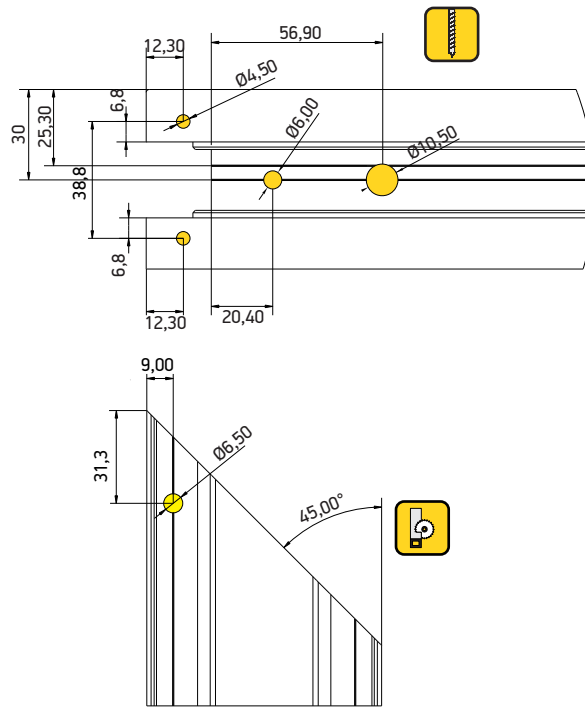
Top rail  
Επάνω φύλλο πόρτας



3

## Top and down rail Επάνω φύλλο πόρτας

A

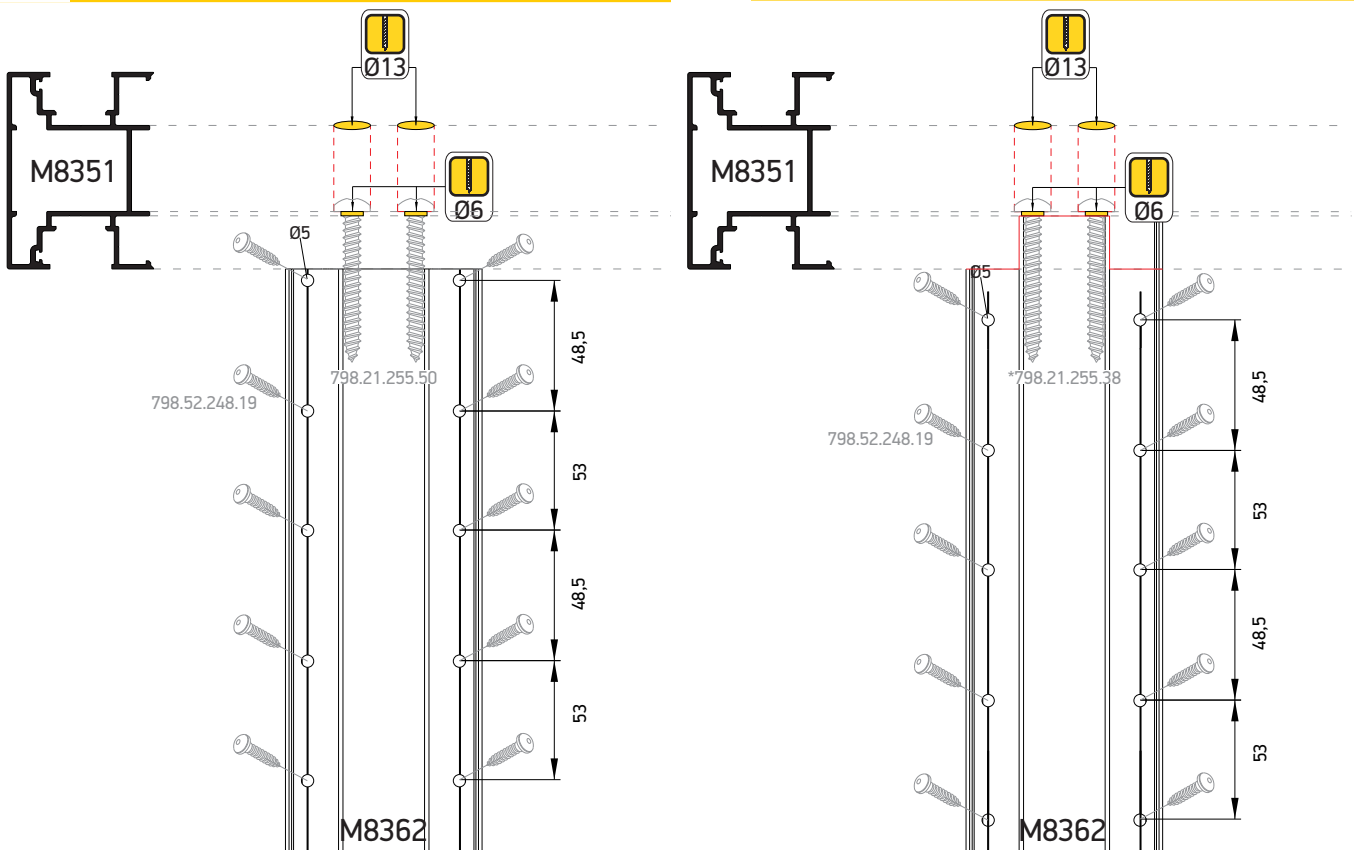


B

Top and down rail M8351 with Transom M8352  
Τοποθέτηση M8351 με τραβέρσα M8352

B\*

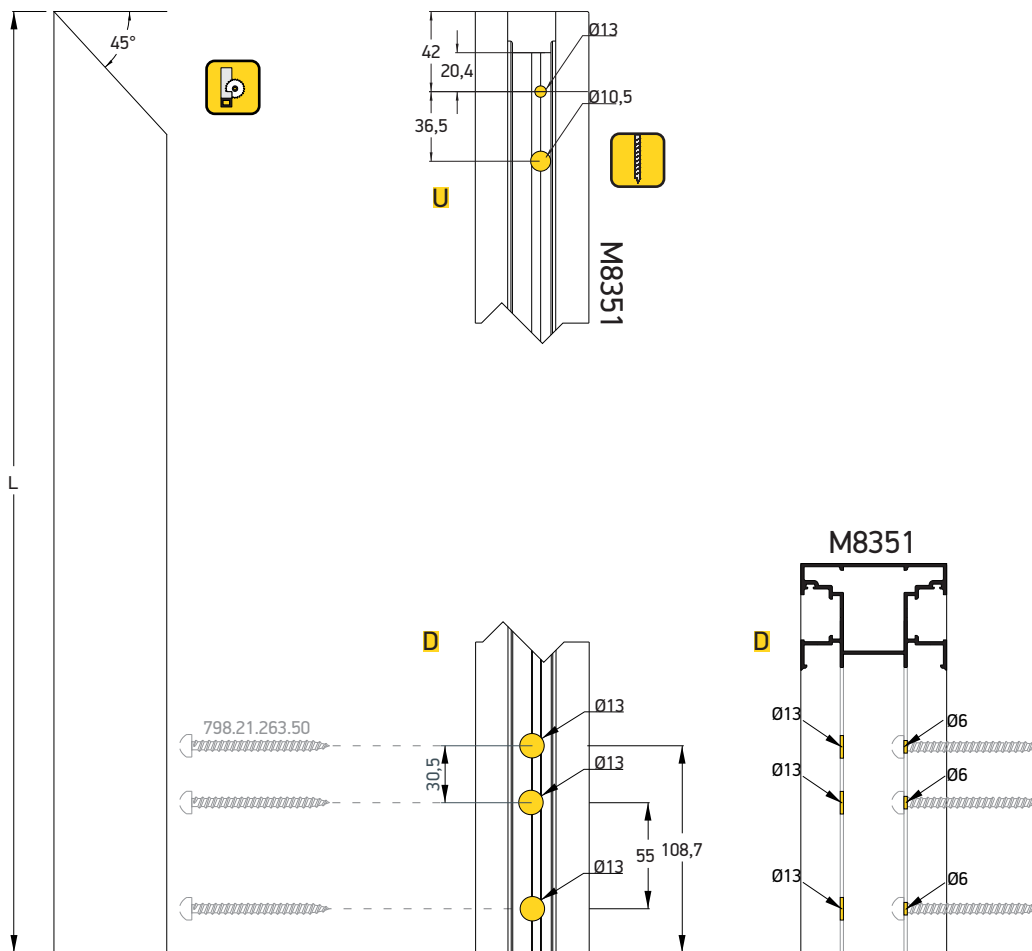
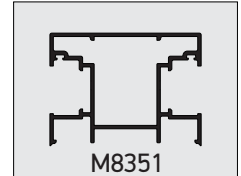
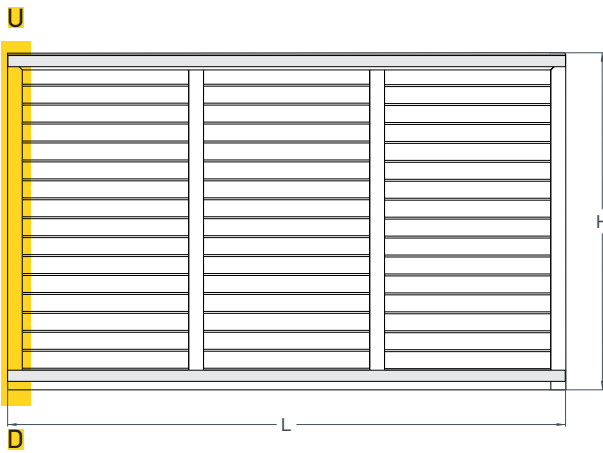
Top and down rail M8351 with milling transom with cutting tool 852.08.362.00  
Τοποθέτηση επάνω φύλλο M8351 μαζί με κατεργασμένη τραβέρσα M8352 με ξηλουργικό 852.08.362.00



\*798.21.255.38 for cuttings with cutting tool 852.08.362.00  
\*798.21.255.38 για κοπές με ξηλουργικό εργαλείο 852.08.362.00

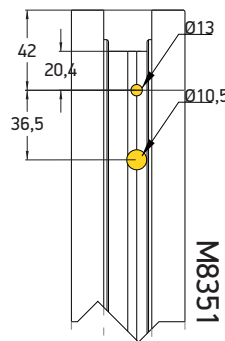
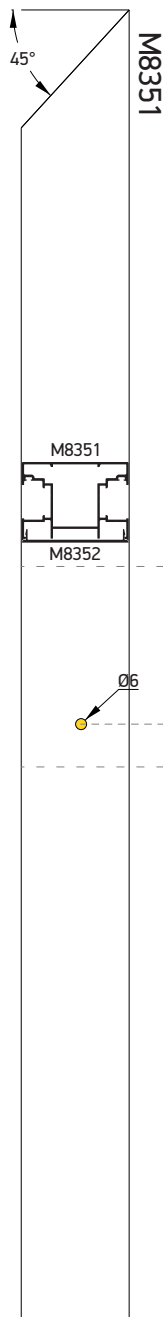
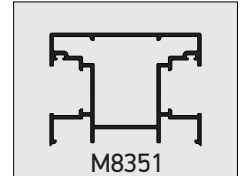
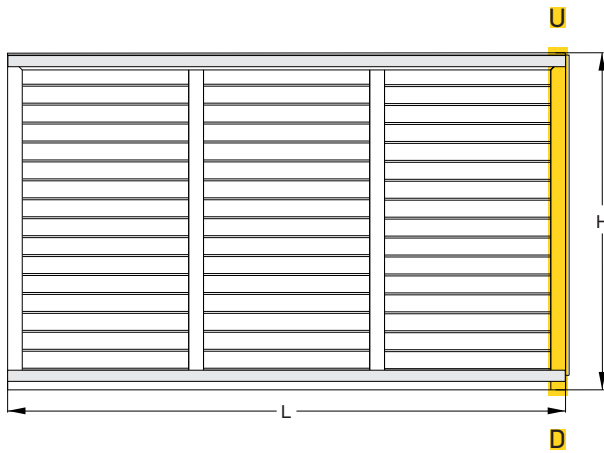
4

Back gate sash  
Πίσω φύλλο πόρτας

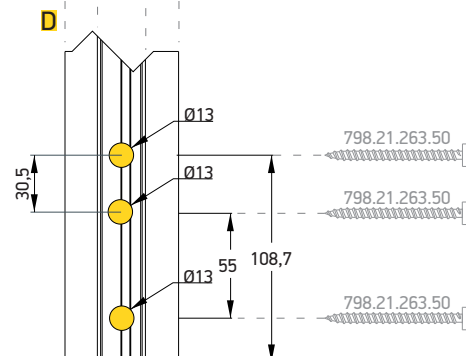
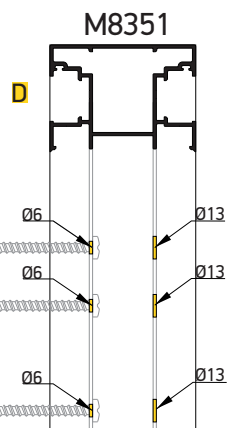
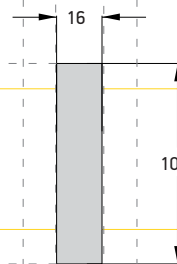
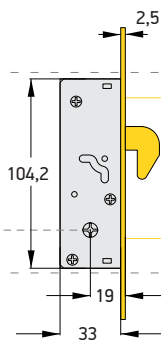
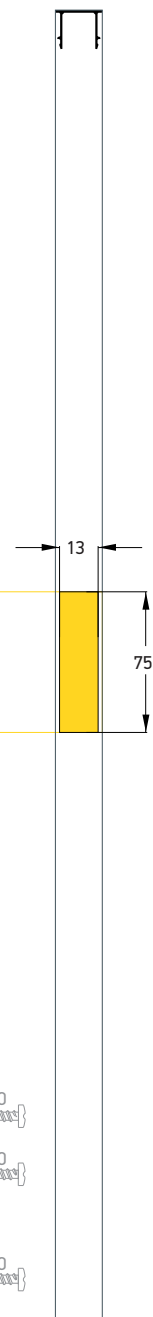


5

Front locker sash  
Φύλλο πόρτας-κλειδαριάς

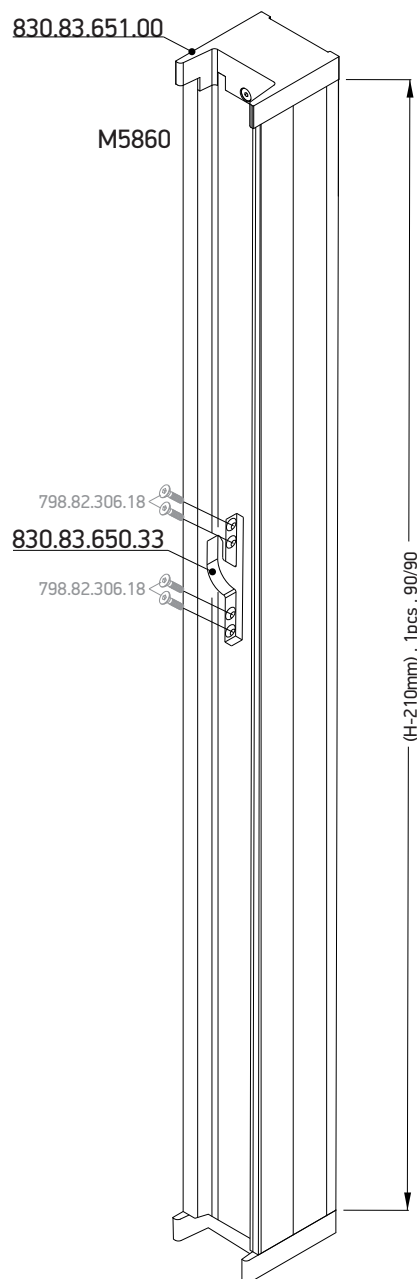
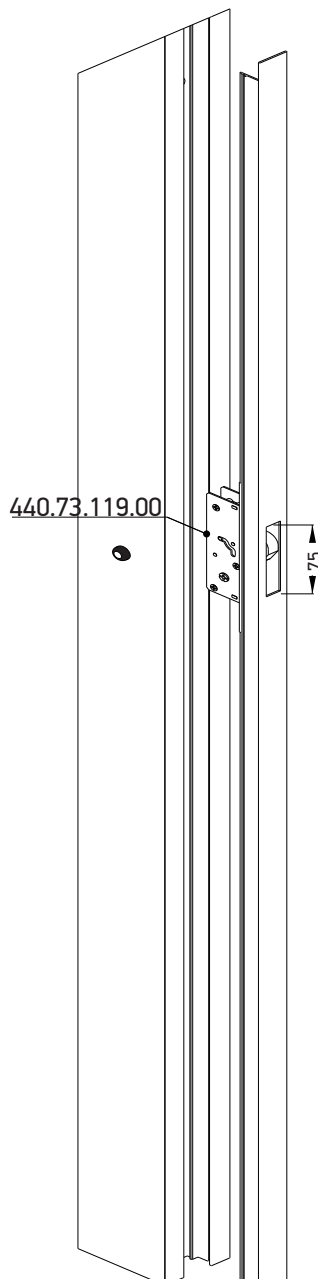
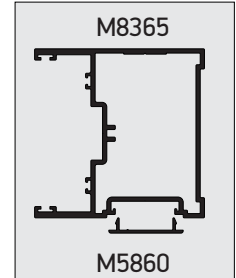
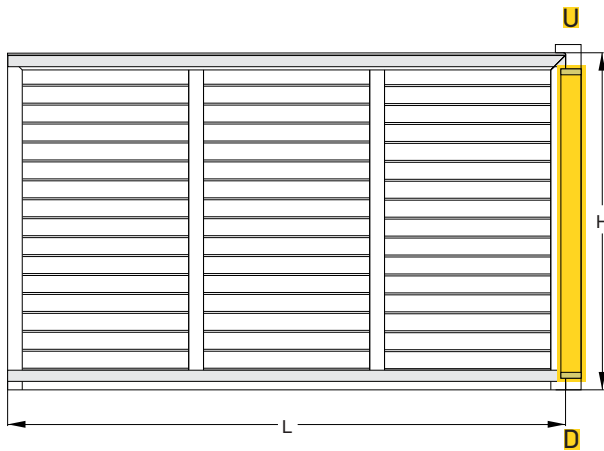


M8356



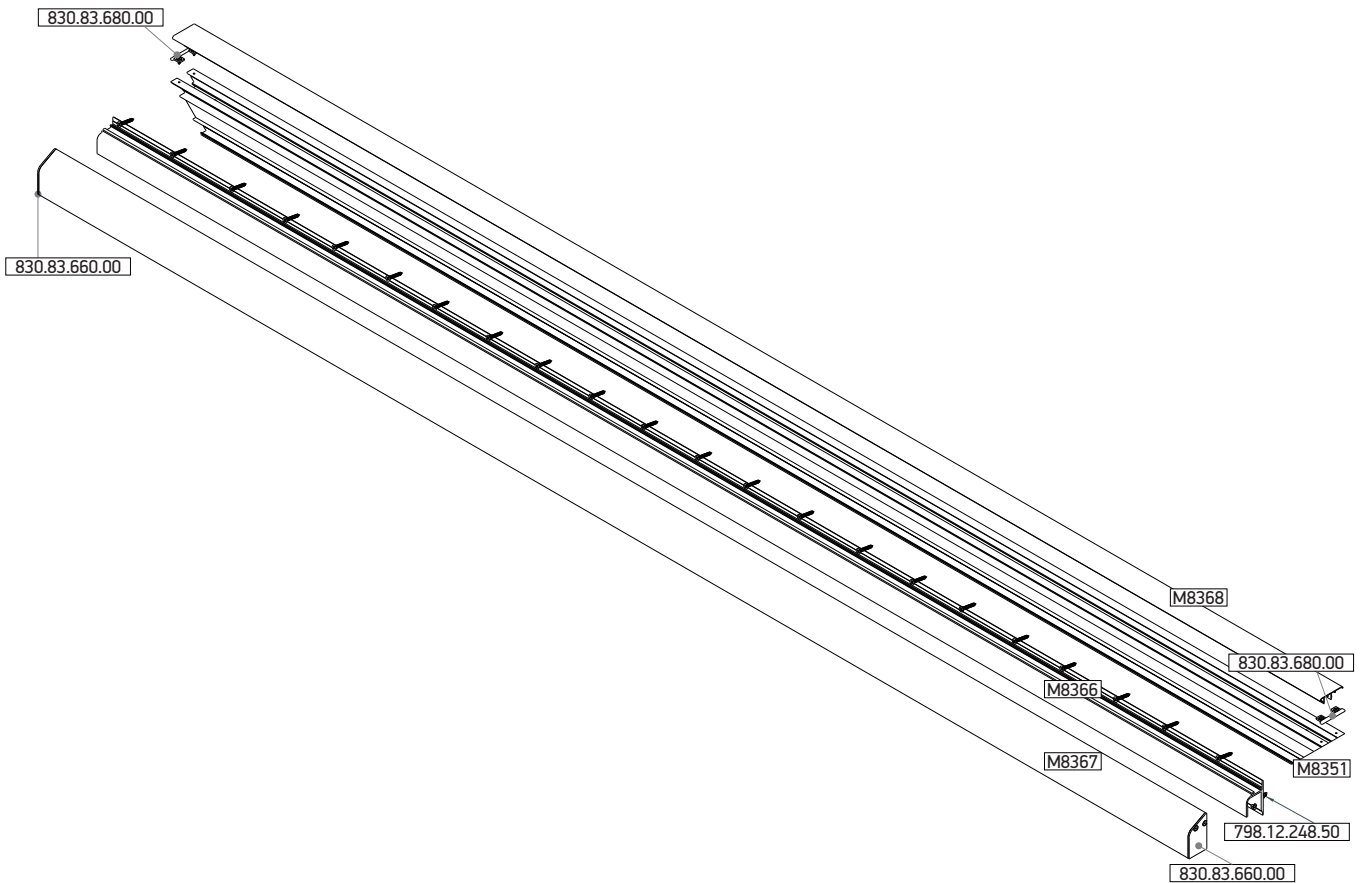
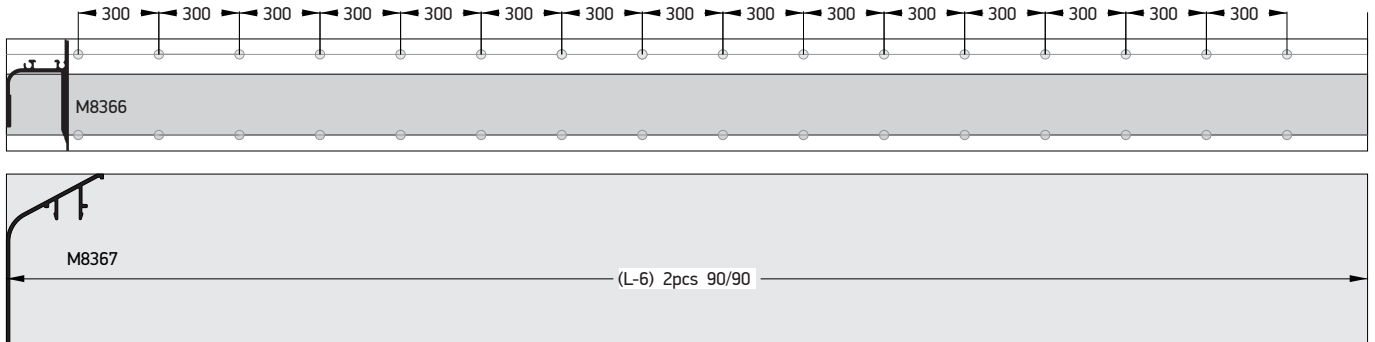
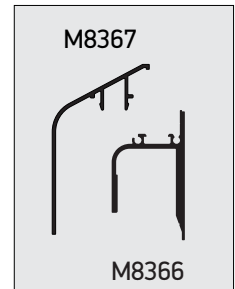
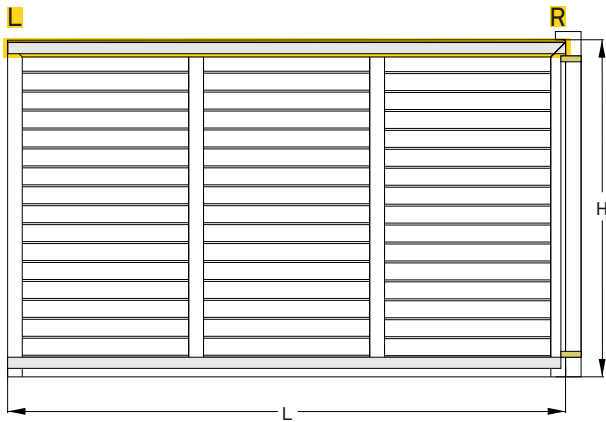
6

Sliding gates facing locker profile  
 Προφίλ αντικρίματος συρόμενης αυλόπορτας



7

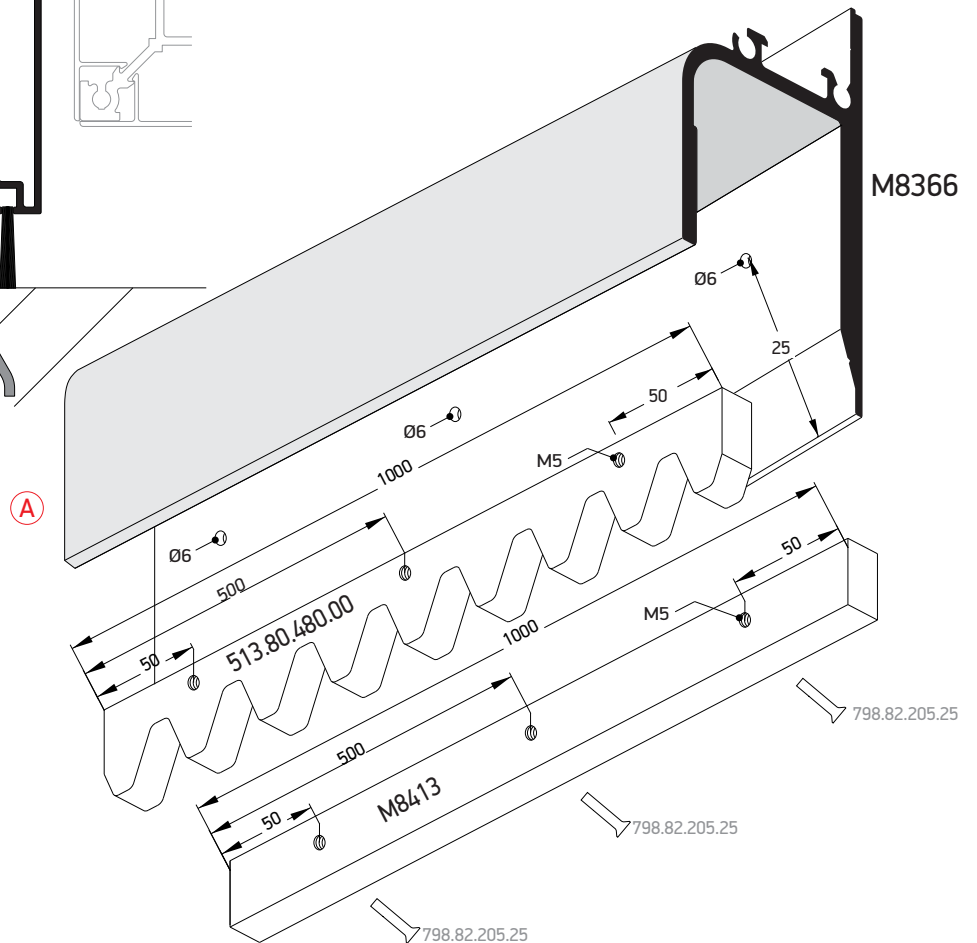
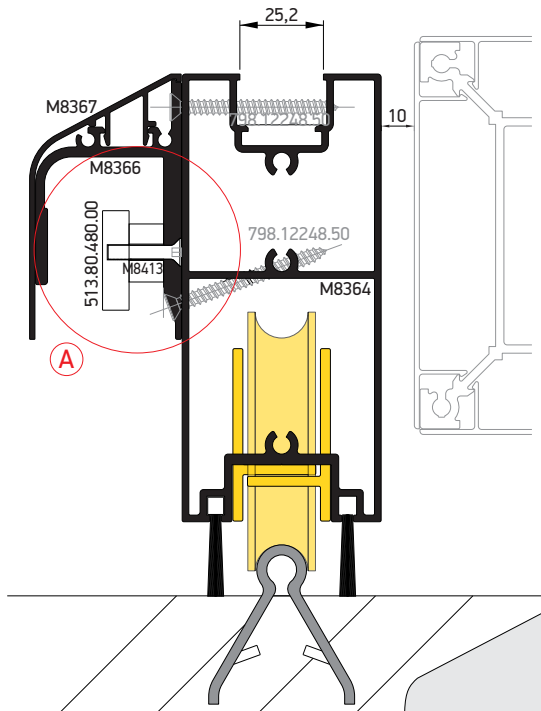
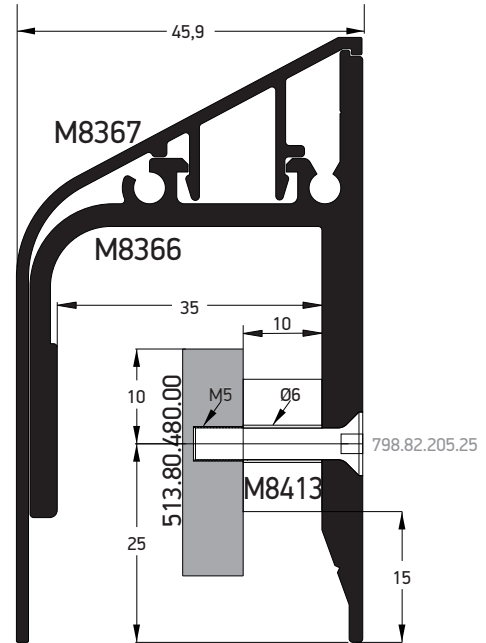
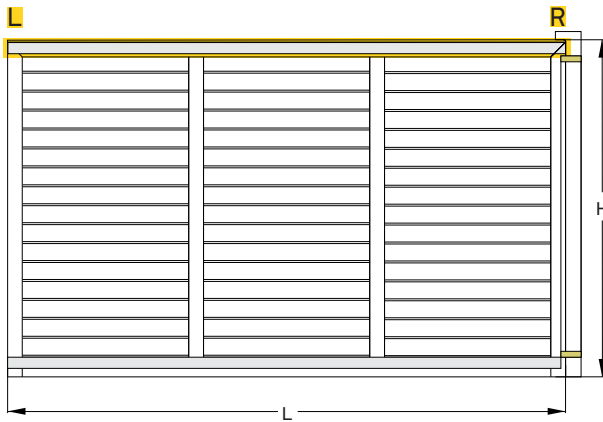
Top and down cover rail and rack  
Επάνω και κάτω προστατευτικό προφίλ συρόμενου μηχανισμού αηλόπορτας





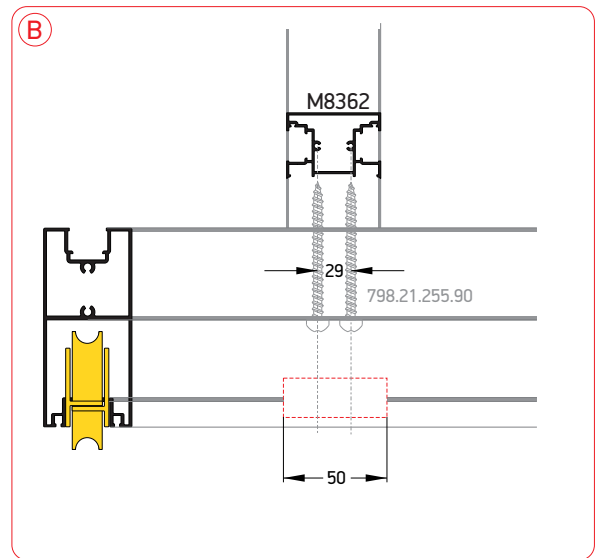
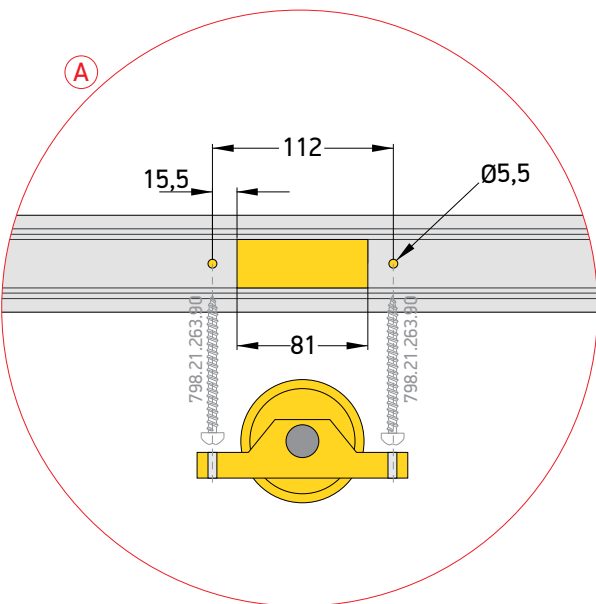
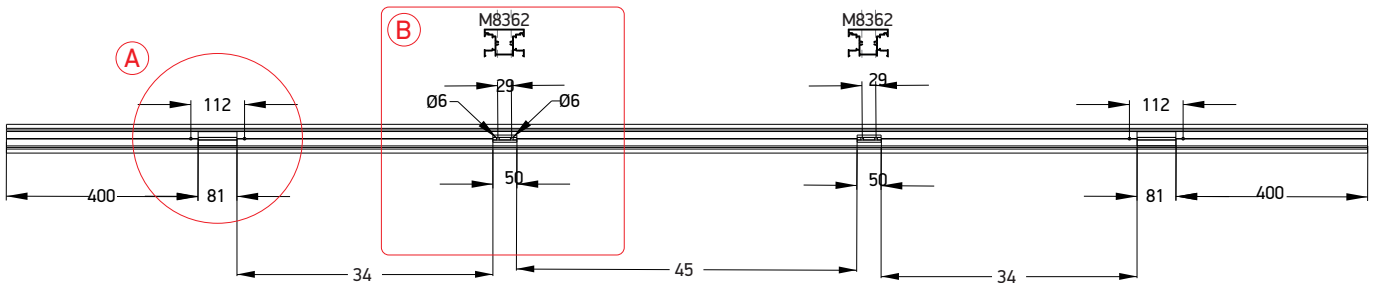
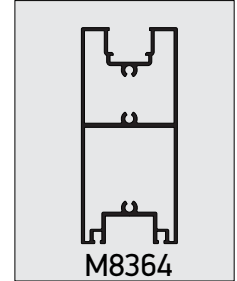
8

Installation details of automatic sliding gate's motor rack  
 Λεπτομέρειες οδηγού μοτέρ αυτόματης συρόμενης αυλόπορτας



9

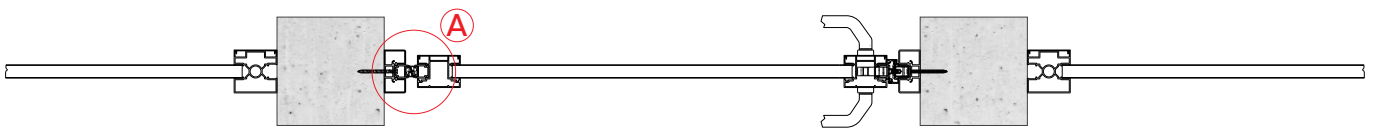
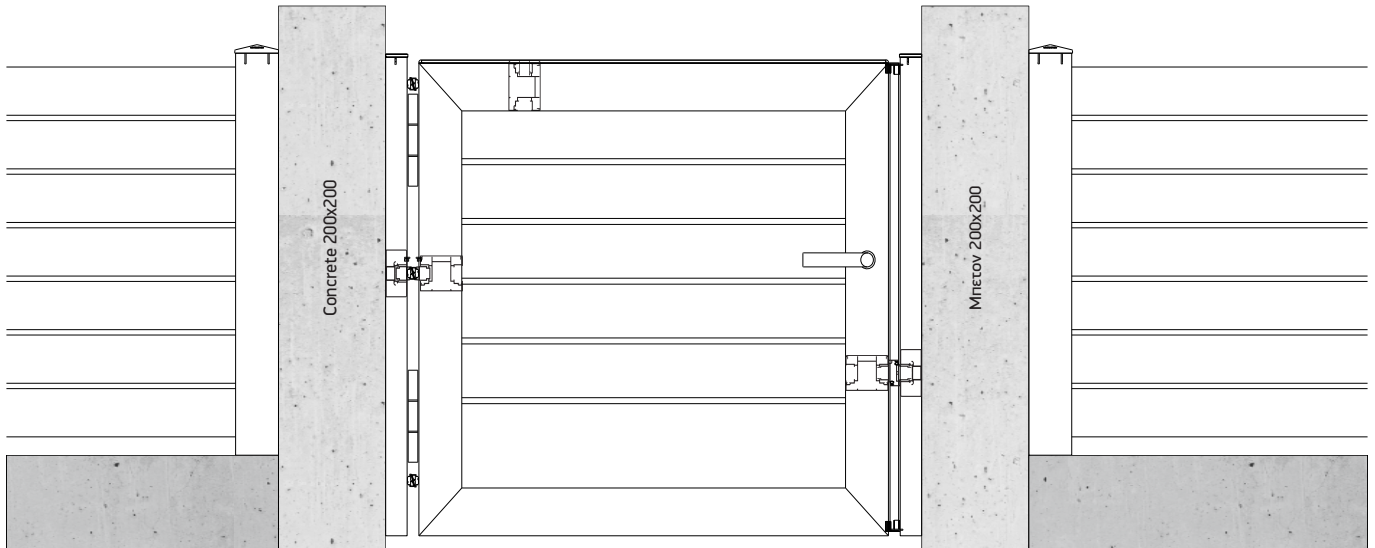
Down rail  
Κάτω φύλλο πόρτας



A large, abstract graphic on the left side of the page, composed of several overlapping yellow and orange geometric shapes, including triangles and rectangles, creating a dynamic, layered effect.

Extra informations  
Επιπλέον πληροφορίες

Gasket for hinge's gap (between door and post)\*  
 Ελαστικό διάκενου μεντεσέ (πόρτας-κοθόνας)\*



A

With hinge 360.85.010\*\*  
 Με μεντεσέ φυσούνας 360.85.010\*\*

210.85015.01

M8351

M8352

M8355

M8355

M8352

M8358

M8379

\*Η τοποθέτηση του είναι προαιρετική  
 Its placement is optional

With Pivot hinge 830.83.550\*\*  
 Με Pivot μεντεσέ 830.83.550\*\*

M8351

M8352

M8355

M8352

M8358

M8379

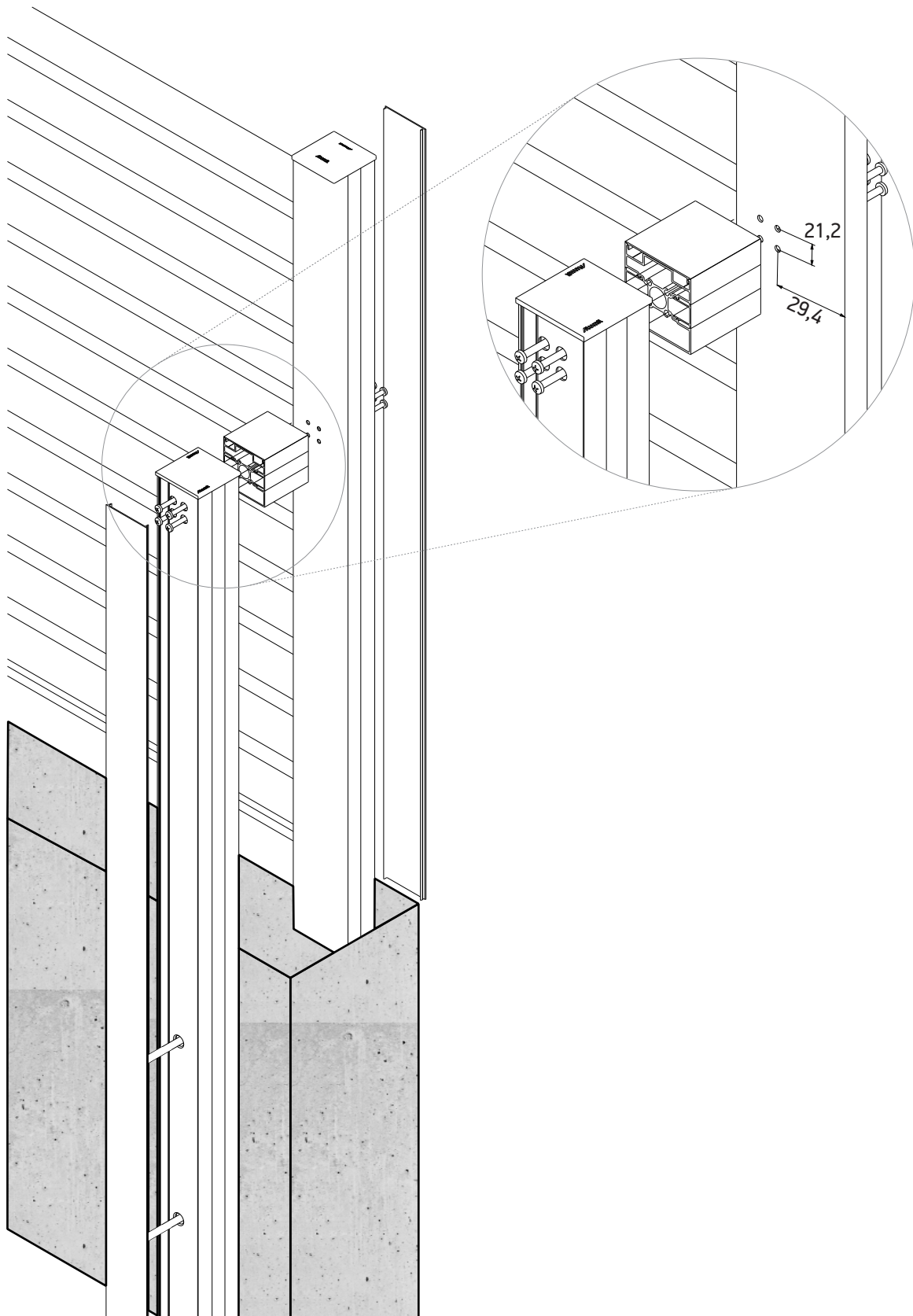
250.85026.13

M8374

M8379

\*Η τοποθέτηση του είναι προαιρετική  
 Its placement is optional

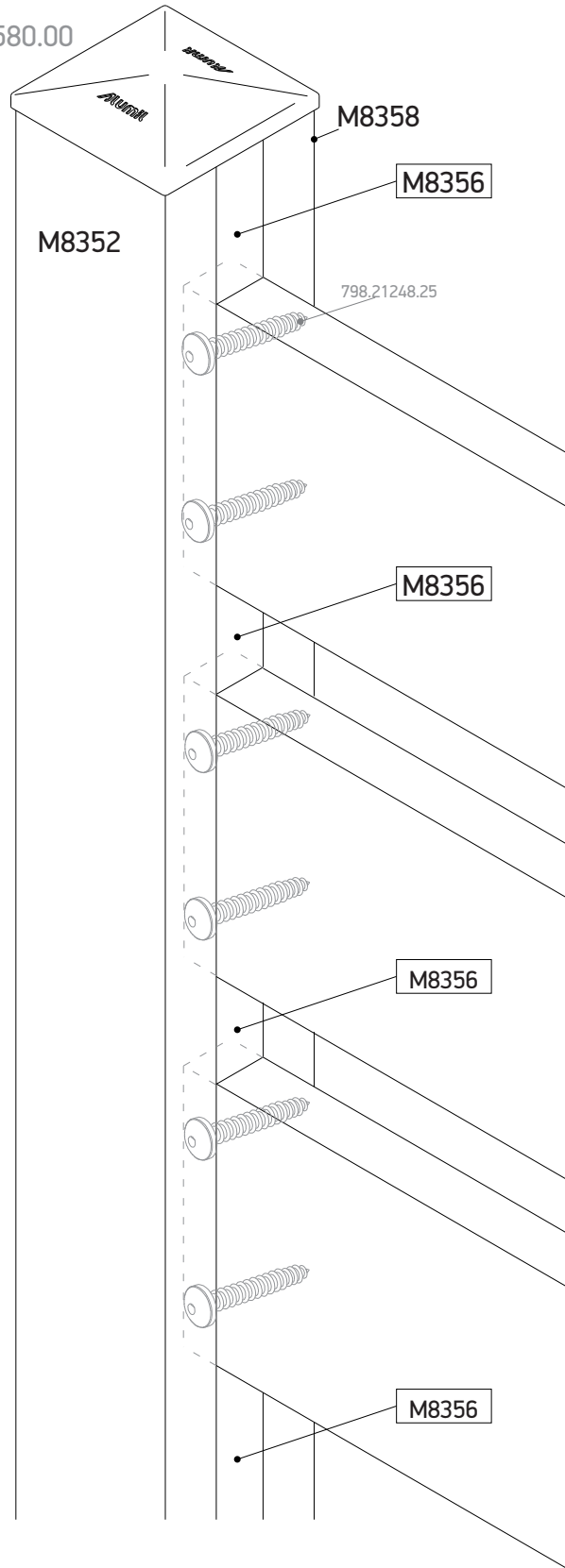
Optional Mounting support bracket for post reinforcement  
 Τοποθέτηση αντηρίδας



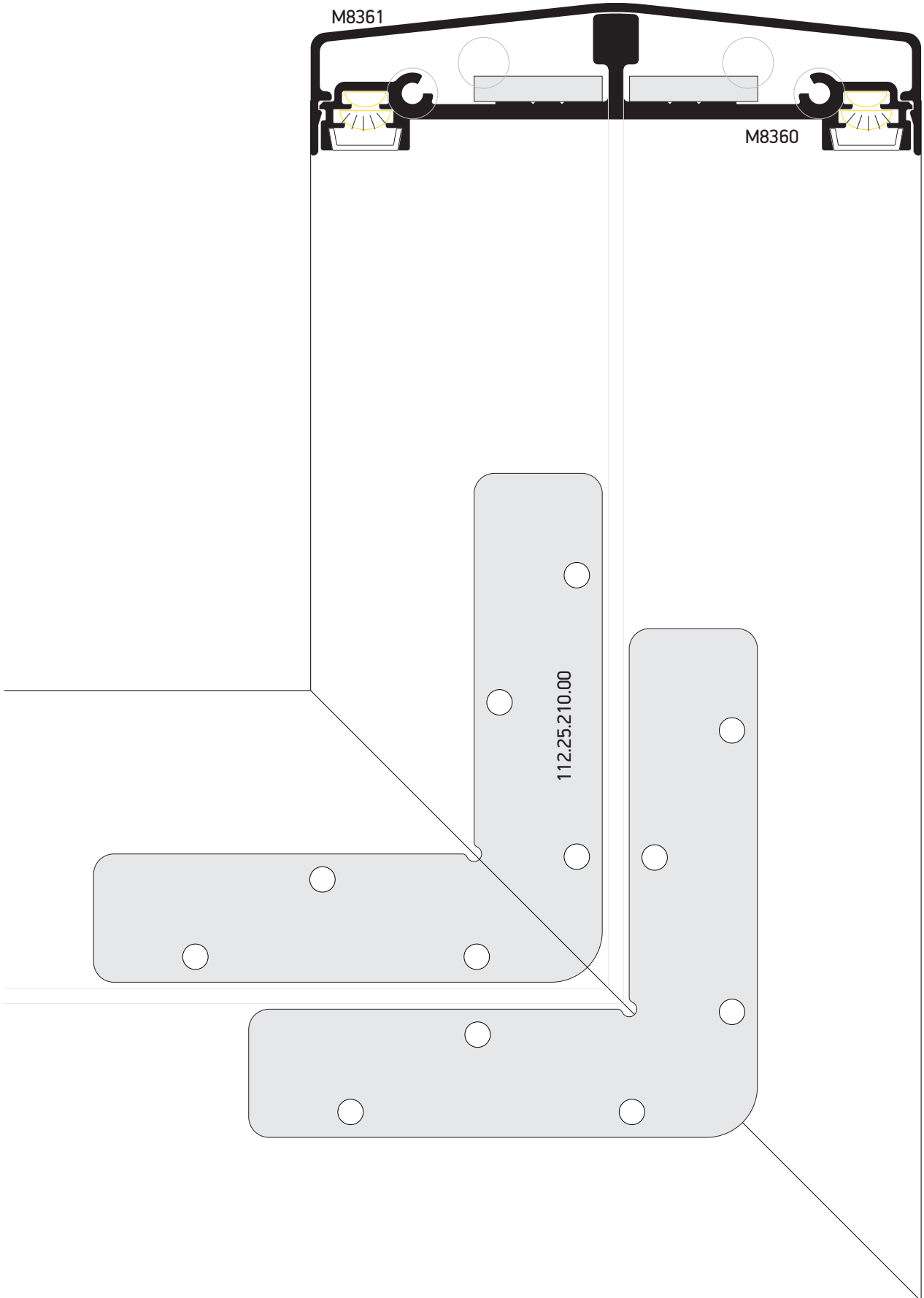
Post  
Κοῤόνες

Post 80mm  
Κοῤόνα 80mm

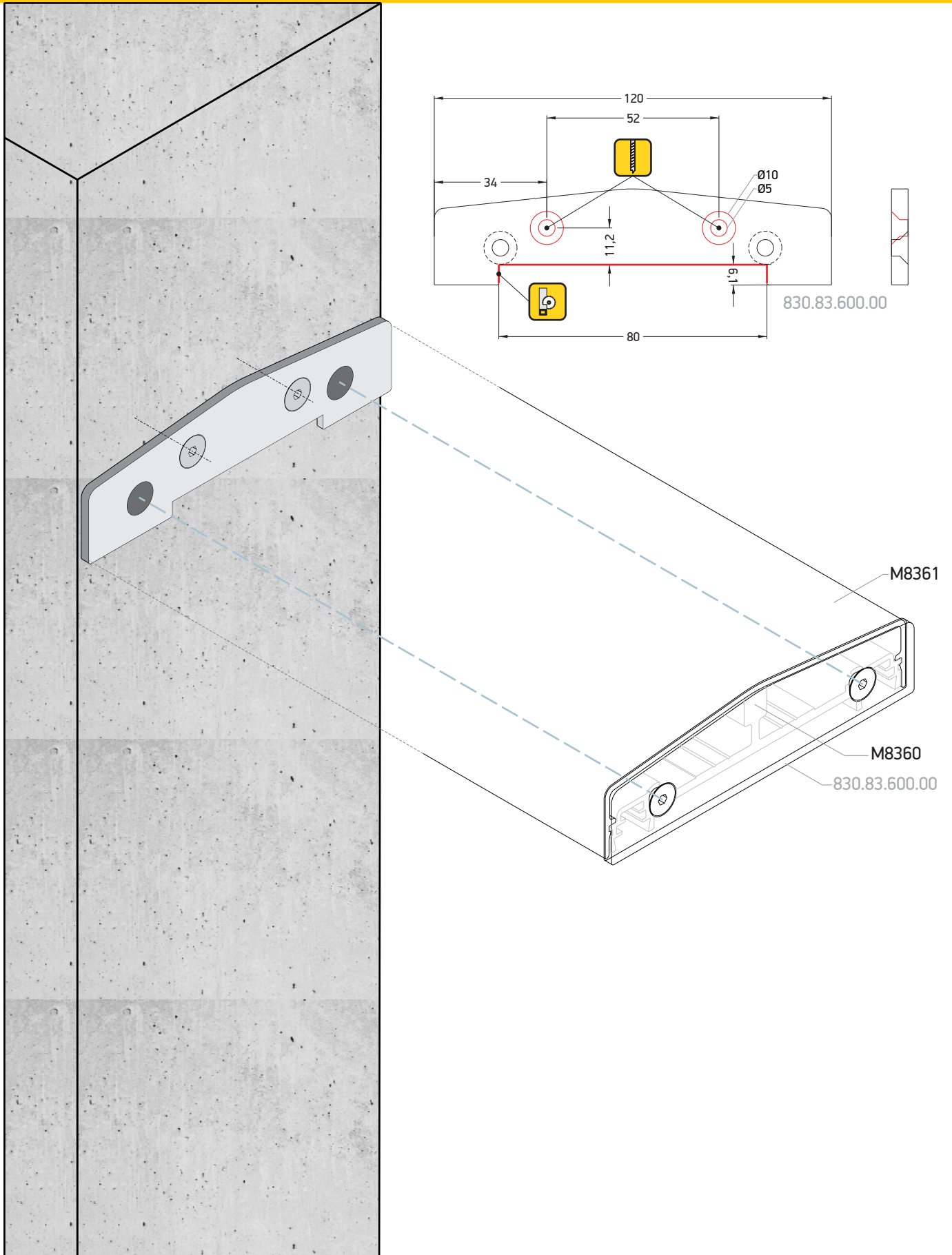
830.83.580.00



Top handrail corner 45°  
Γωνία 45° κομπιστή φράχτη



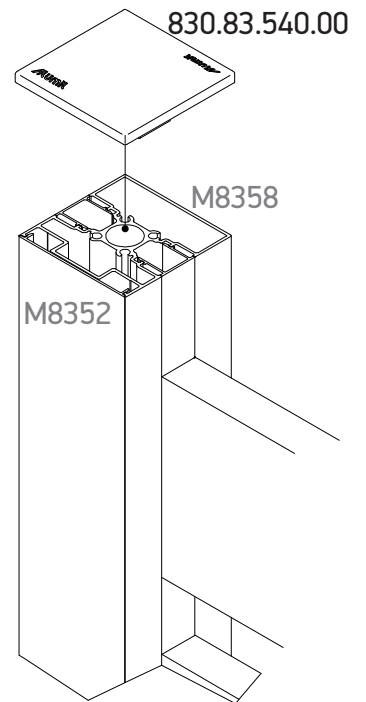
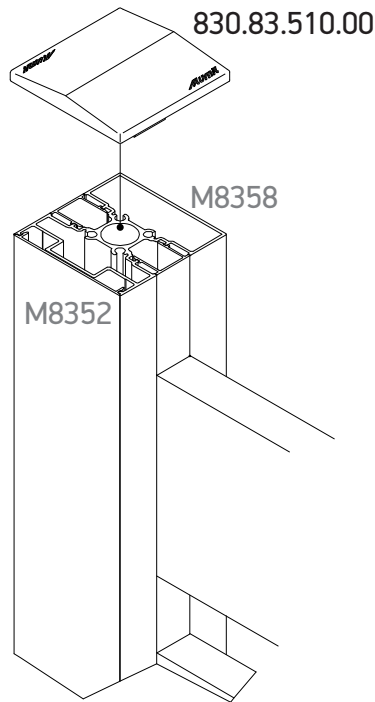
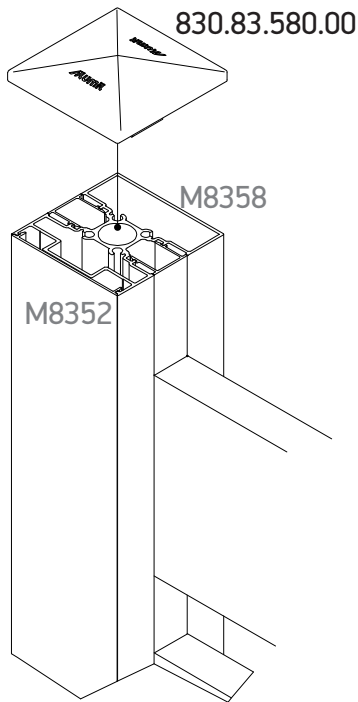
Top handrail wall mounted  
Κουπαστή φράχτη σε τείχος





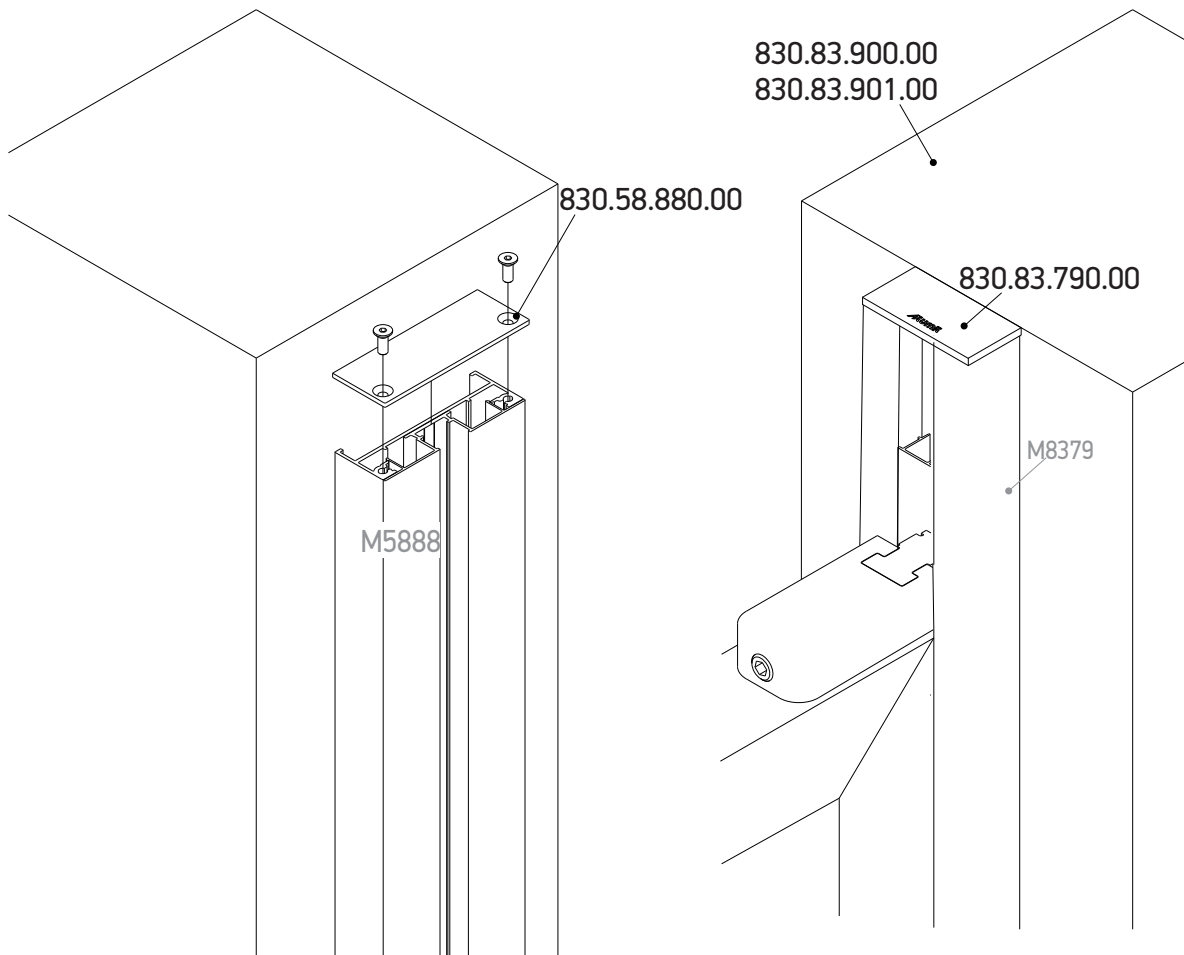
Post  
Κοιλόνες

80mm Posts End Caps  
80mm Καπάκια κοιλόνων



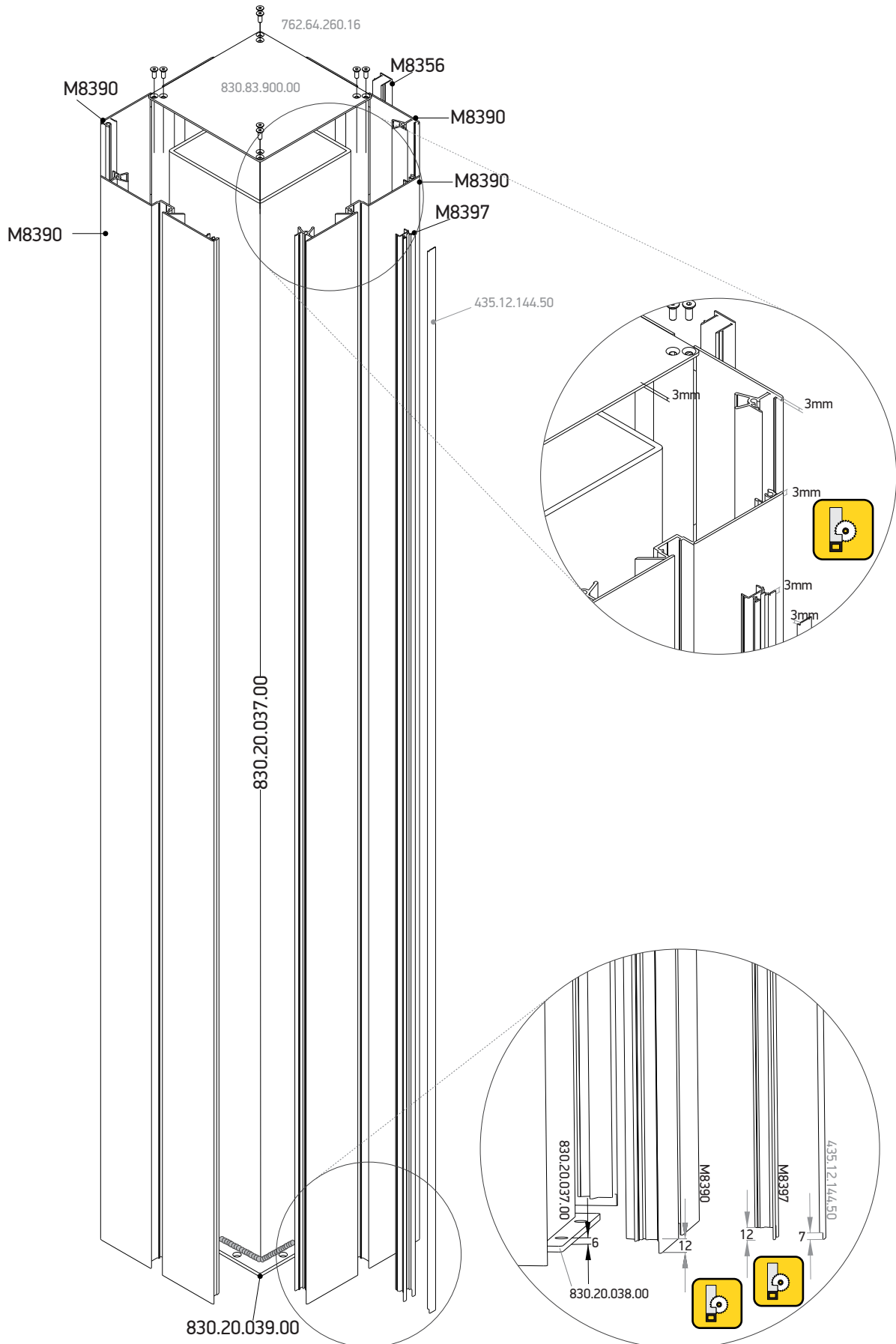
Post  
Κοιλόνες

120mm half-post and 80 half-post for wall installation  
Μισή κοιλόνια 120mm και 80mm για επιτοίχια εγκατάσταση

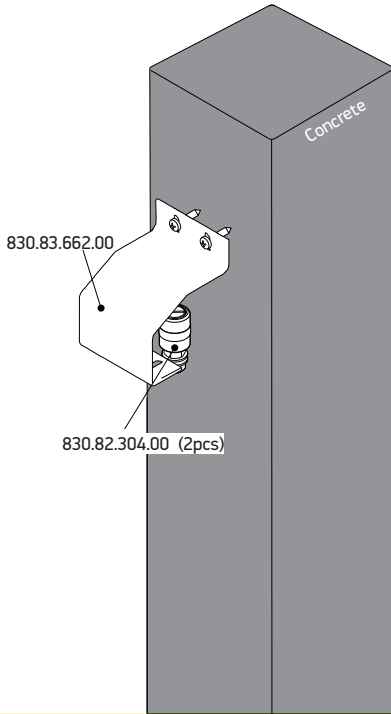


Post  
Κοιλόνες

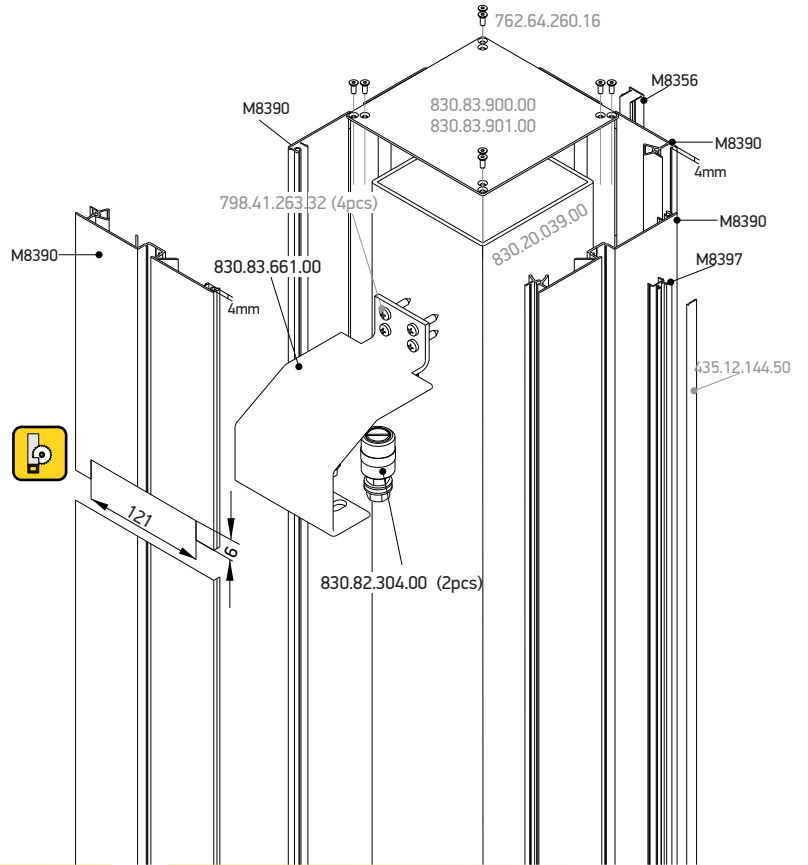
Steel Mullion 250x250mm  
Μεταλλική κοιλόνα 250X250mm



Concrete Mullion for sliding gate  
Τσιμεντοκοιλόνια για συρόμενη αυλόπορτα

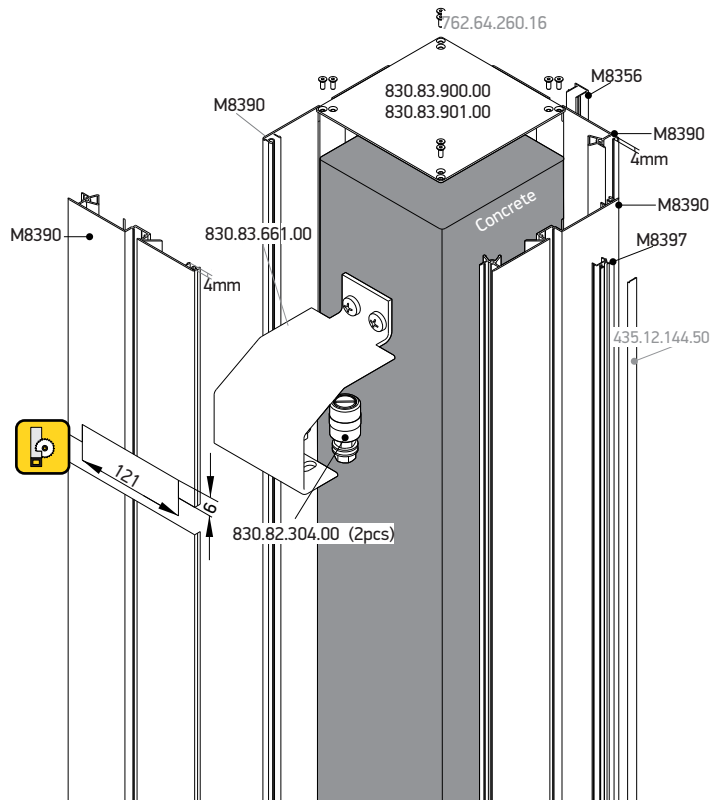
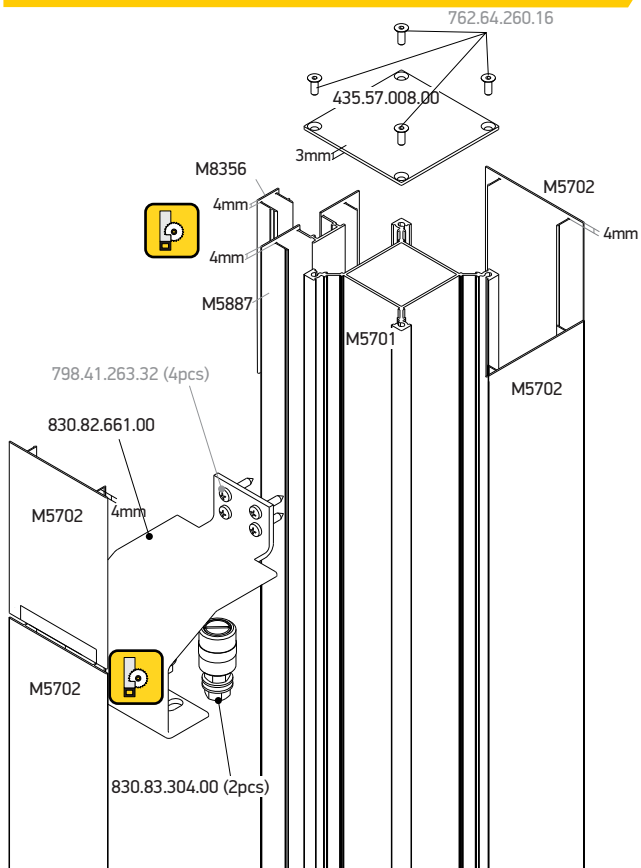


Steel Mullion 250x250mm for sliding door  
Μεταλλική κοιλόνια 250X250mm για συρόμενη αυλόπορτα

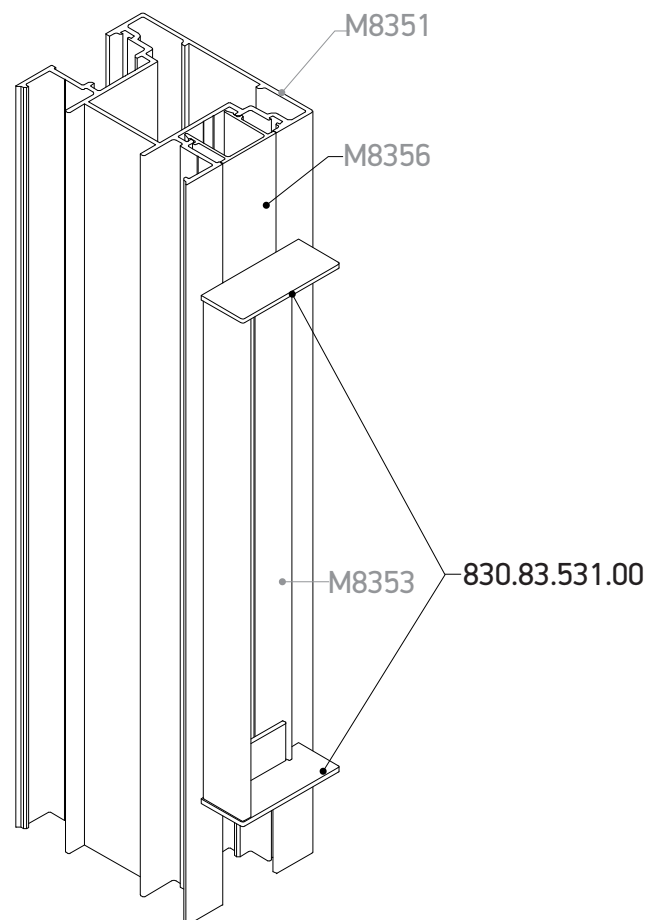
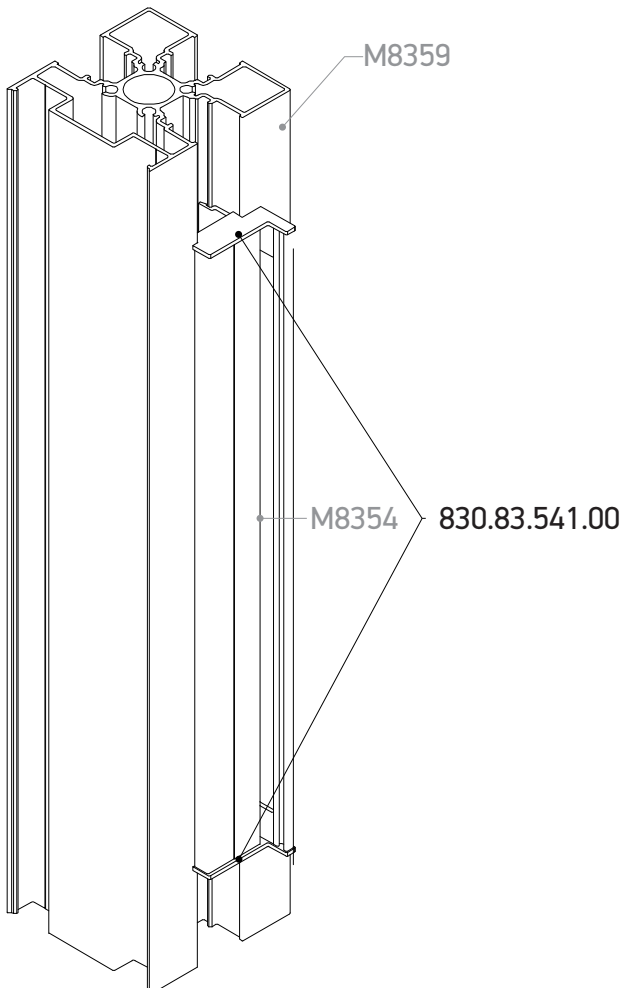
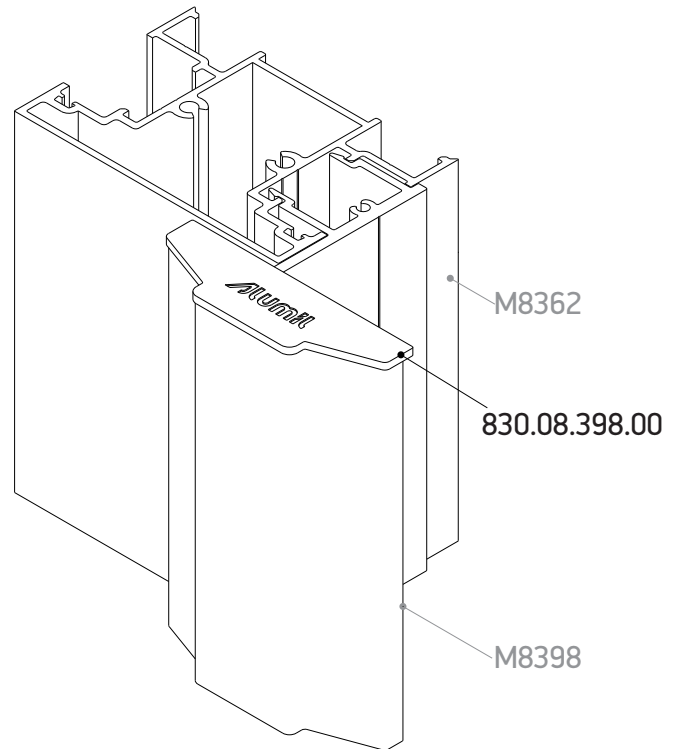
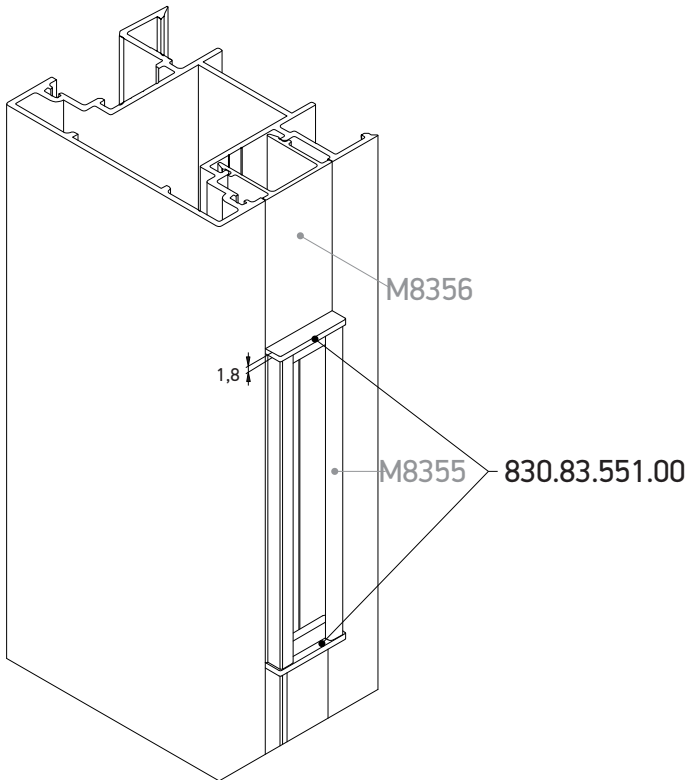


Installation Post 80mm for sliding gate  
Εγκατάσταση Κοιλόνιας 80mm για συρόμενη αυλόπορτα

Concrete Mullion 250x250mm for sliding gate  
Τσιμεντοκοιλόνια 250X250mm για συρόμενη αυλόπορτα

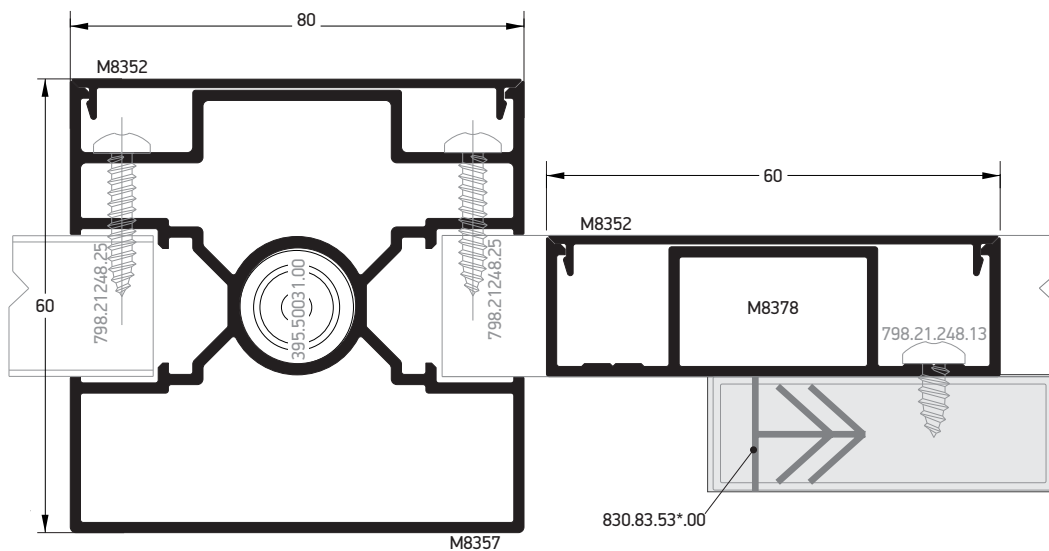
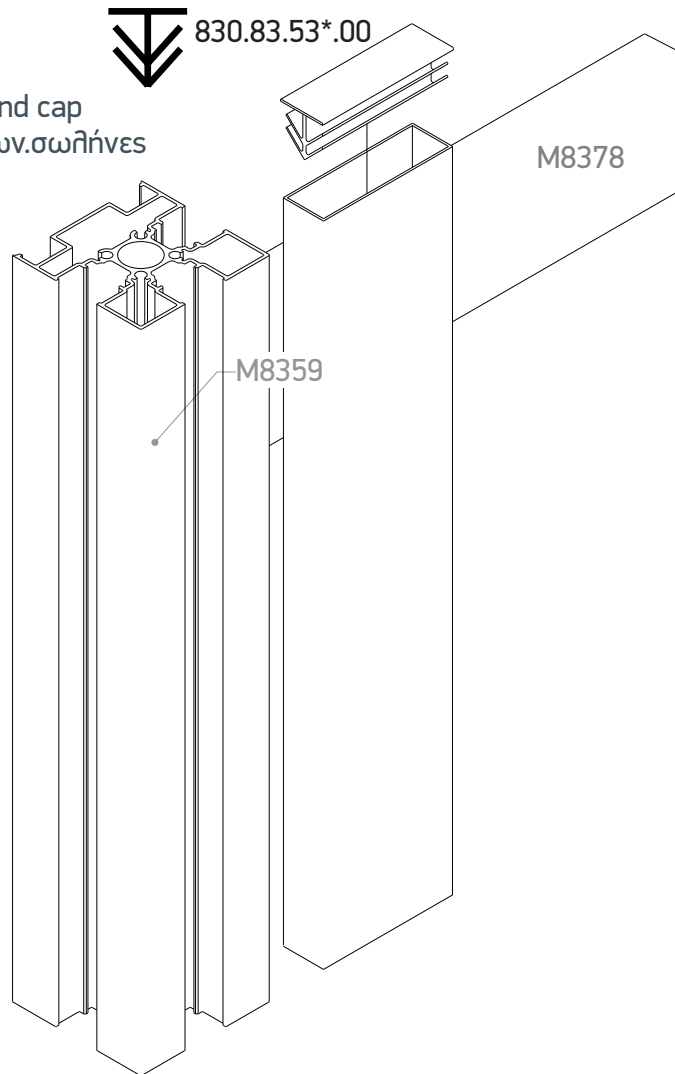


Mounting post's end caps and plastic parts  
 Τοποθέτηση ταπών και πλαστικών εξαρτημάτων

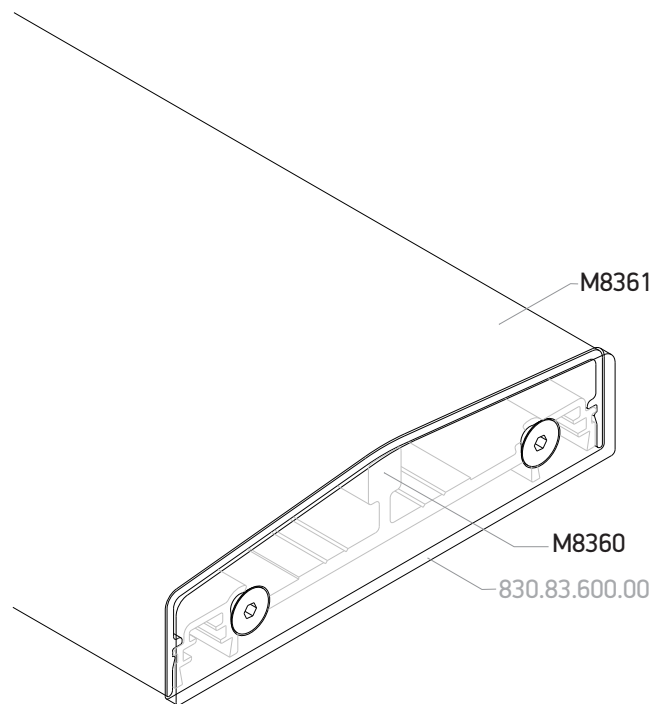
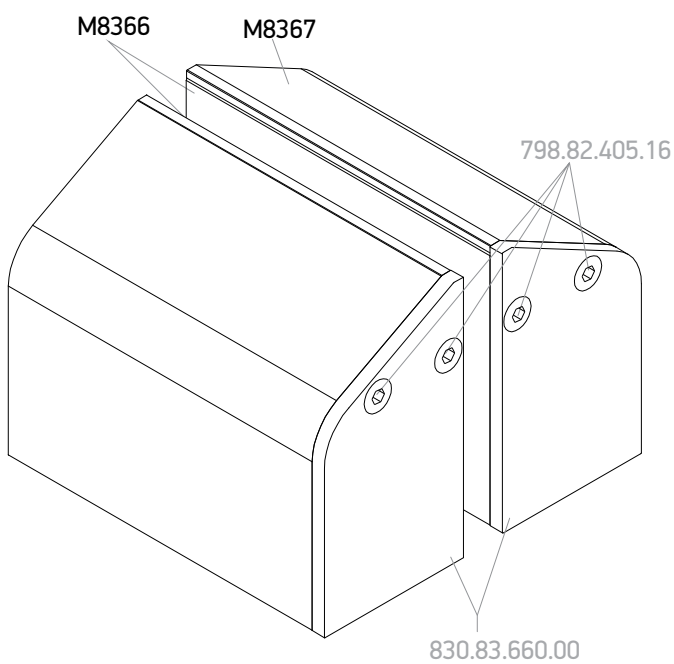
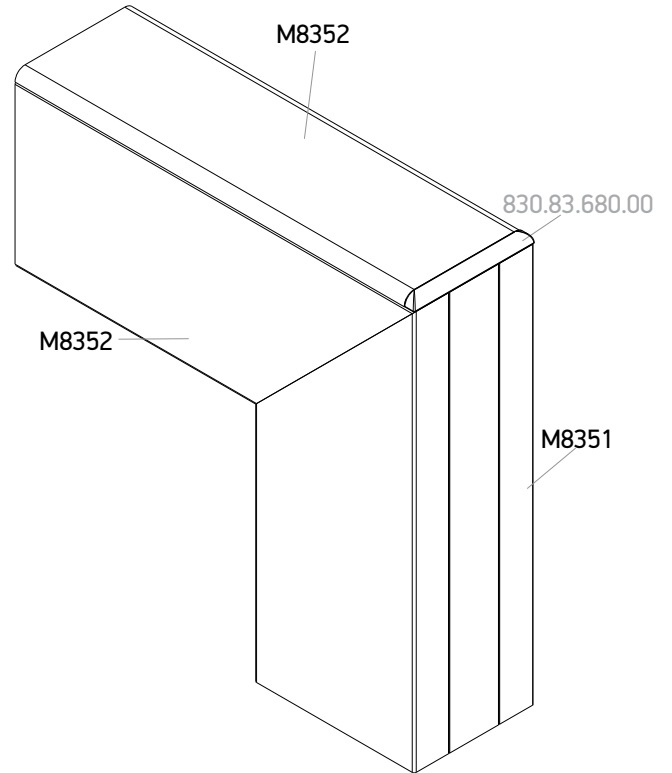
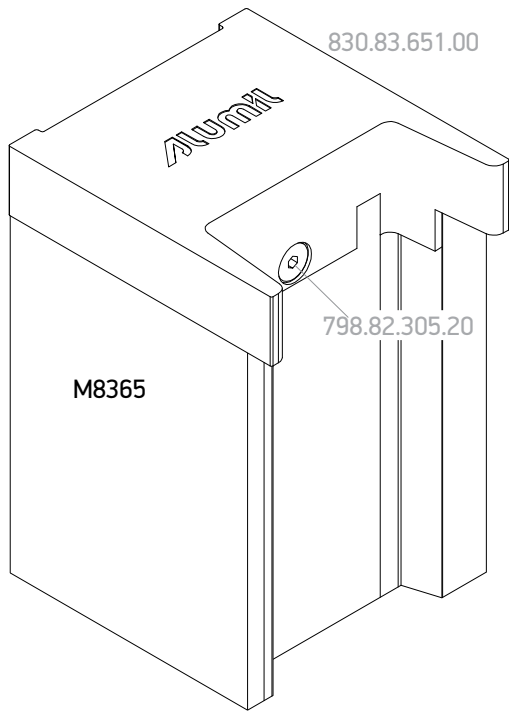


End cap for 20mm and 25mm square hollow tubes blinds  
 Τάπες για 20mm και 25mm σωληνωτές περσίδες

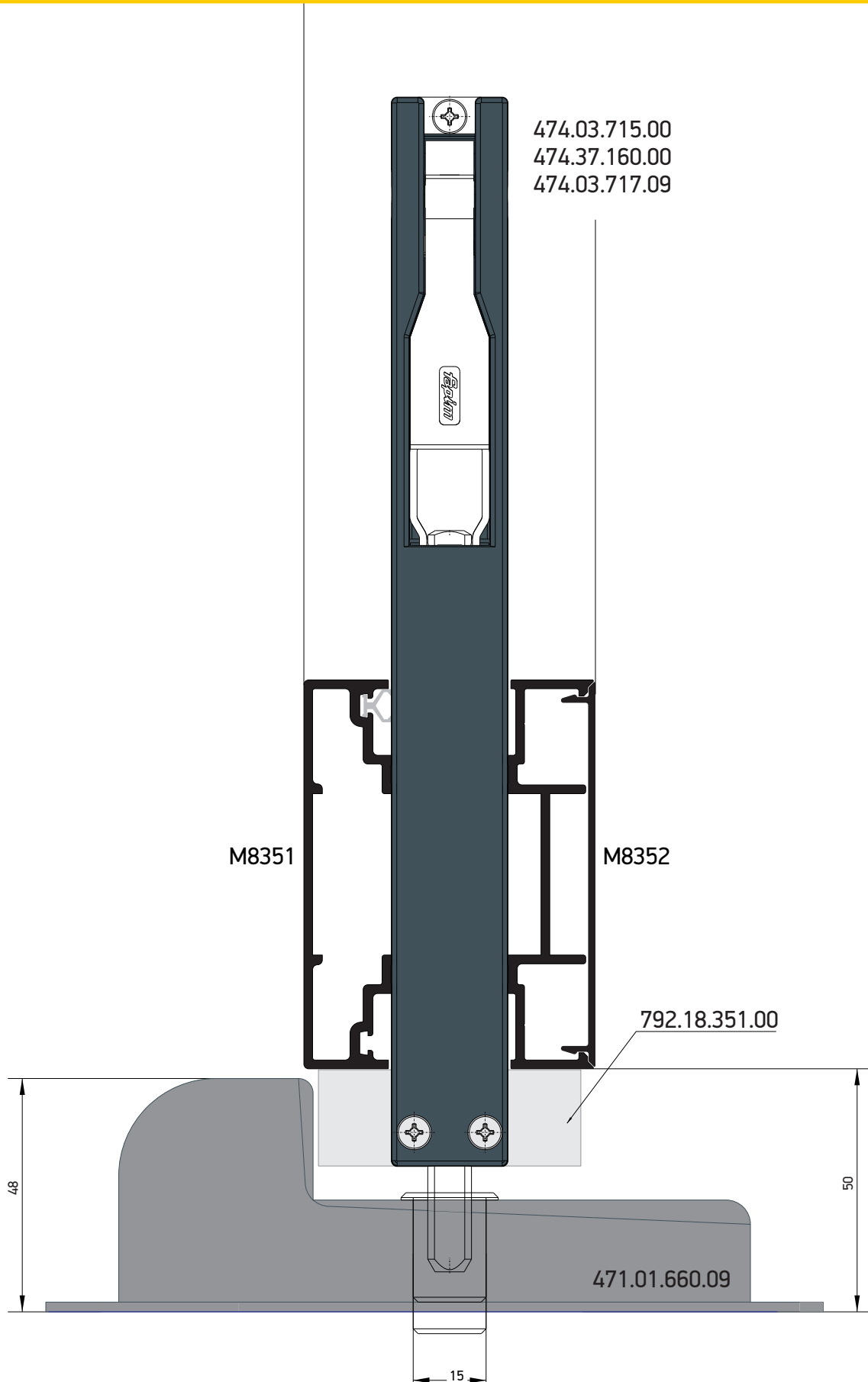
25mm blind's aluminium end cap  
 Τάπα αλουμινίου 25mm περσίδων.σωλήνες



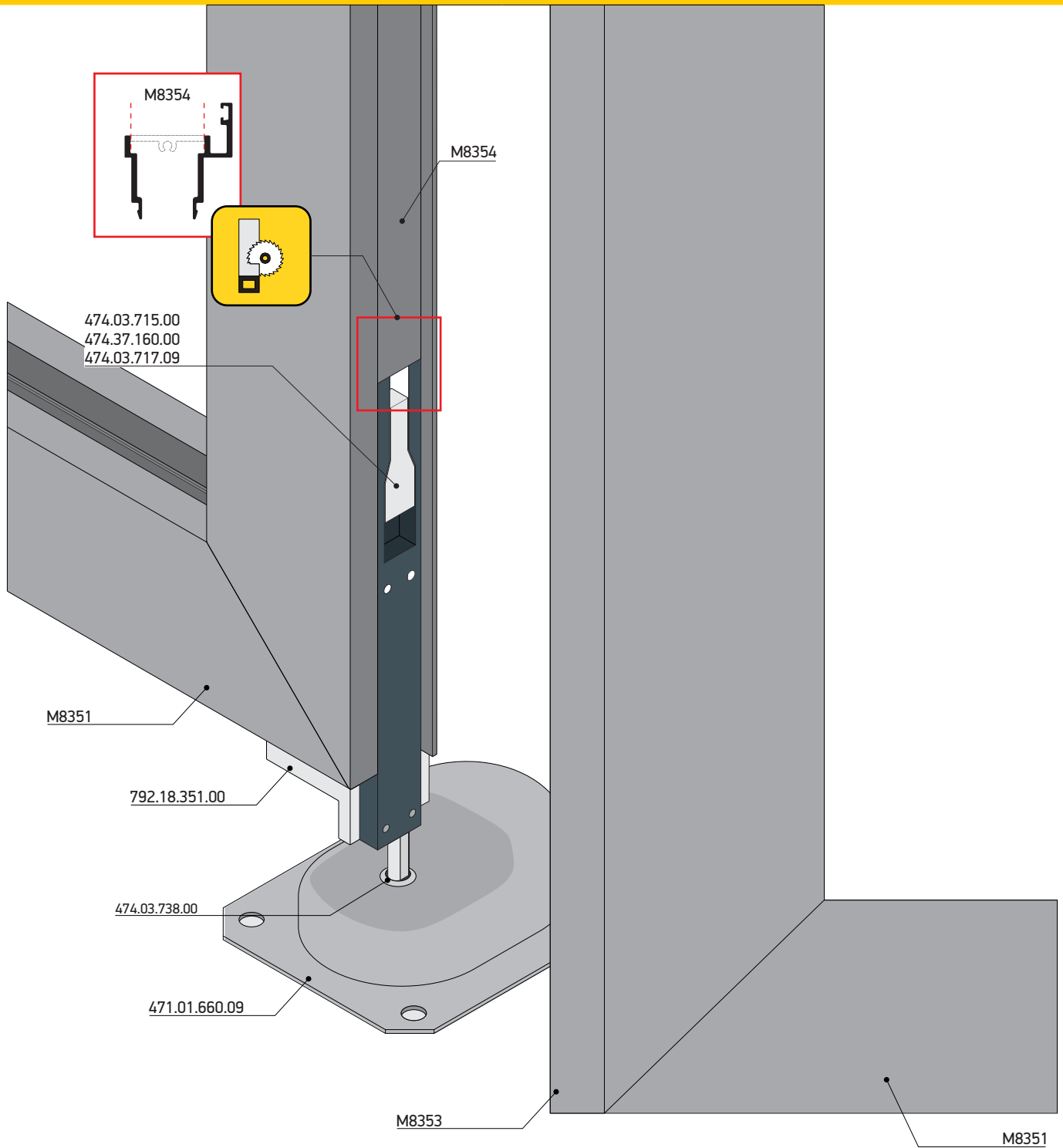
Mounting post's end caps and plastic parts  
 Τοποθέτηση ταπών και πλαστικών εξαρτημάτων



Double swing gate stopper and shoot bolt  
Τερματικό δίφυλης αυλόπορτας και πύρος

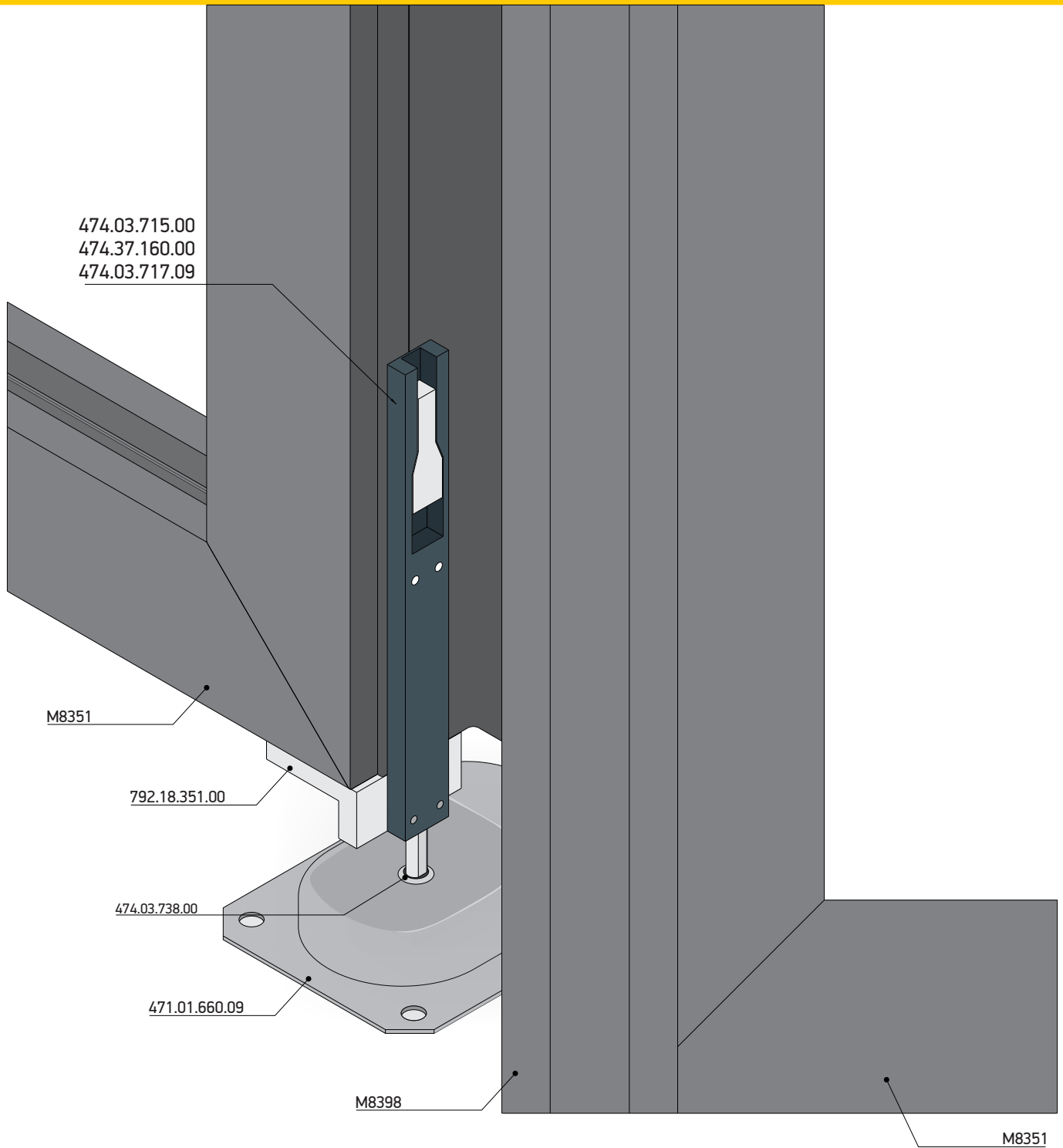


Hidden shoot bolt in M8354  
 Κρυφός πείρος στο M8354 δίφυλλης αυλόπορτας

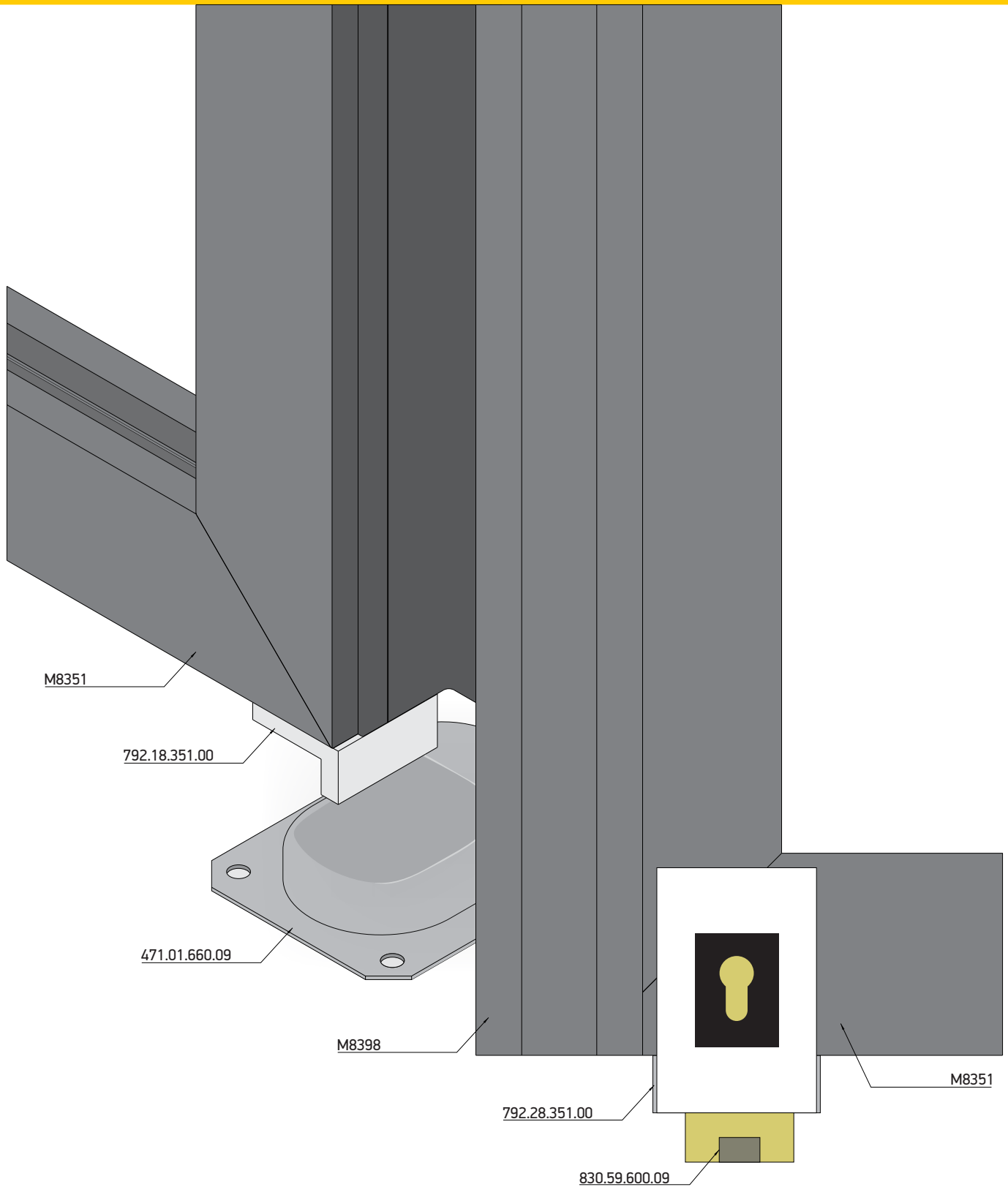




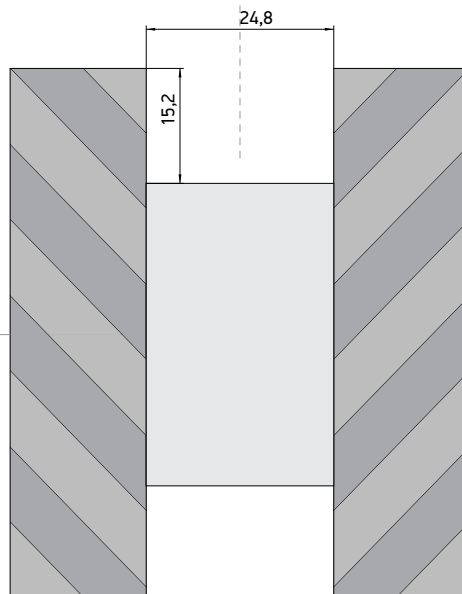
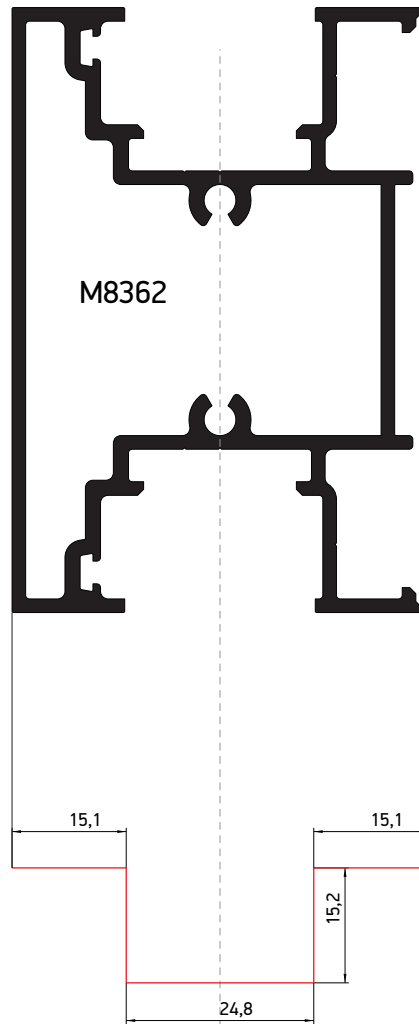
Double swing gate stopper and shoot bolt  
Τερματικό δίφυλης αυλόπορτας και πίρος



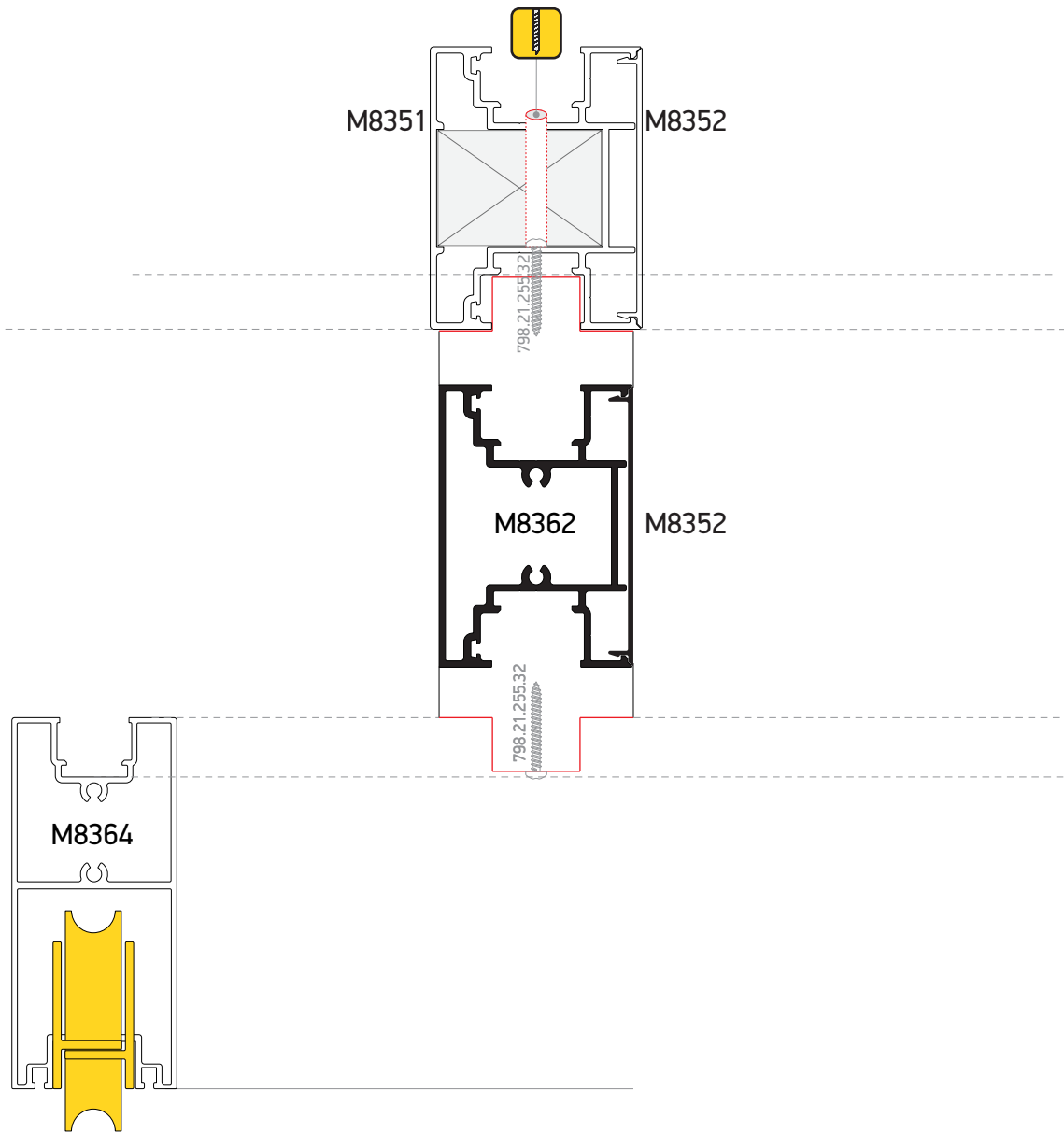
Double swing gate stopper and electric gate lock Viro  
 Τερματικό δίφυλλης αυλόπορτας και ηλεκτρική κλειδαριά Viro



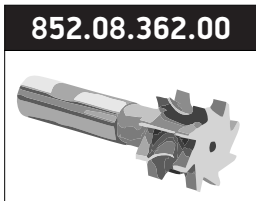
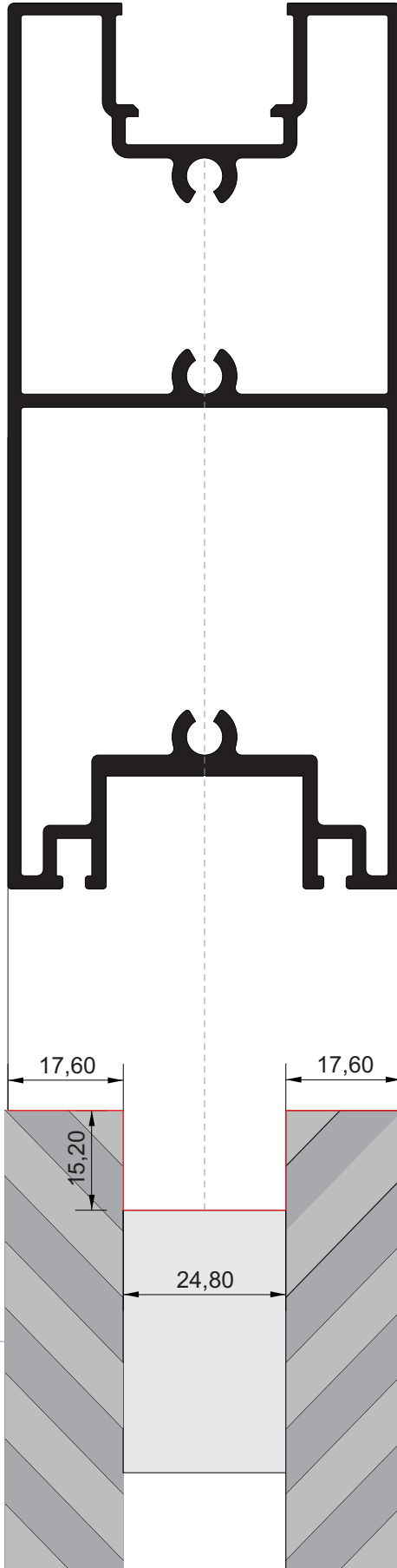
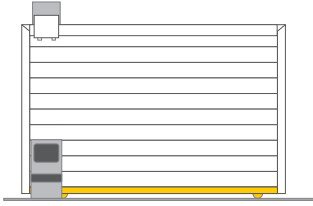
Machine Cuttings Sections (Transom)  
 Τομές συναρμογής με ξηθουριστικό μηχάνημα (Τραβέρσα)



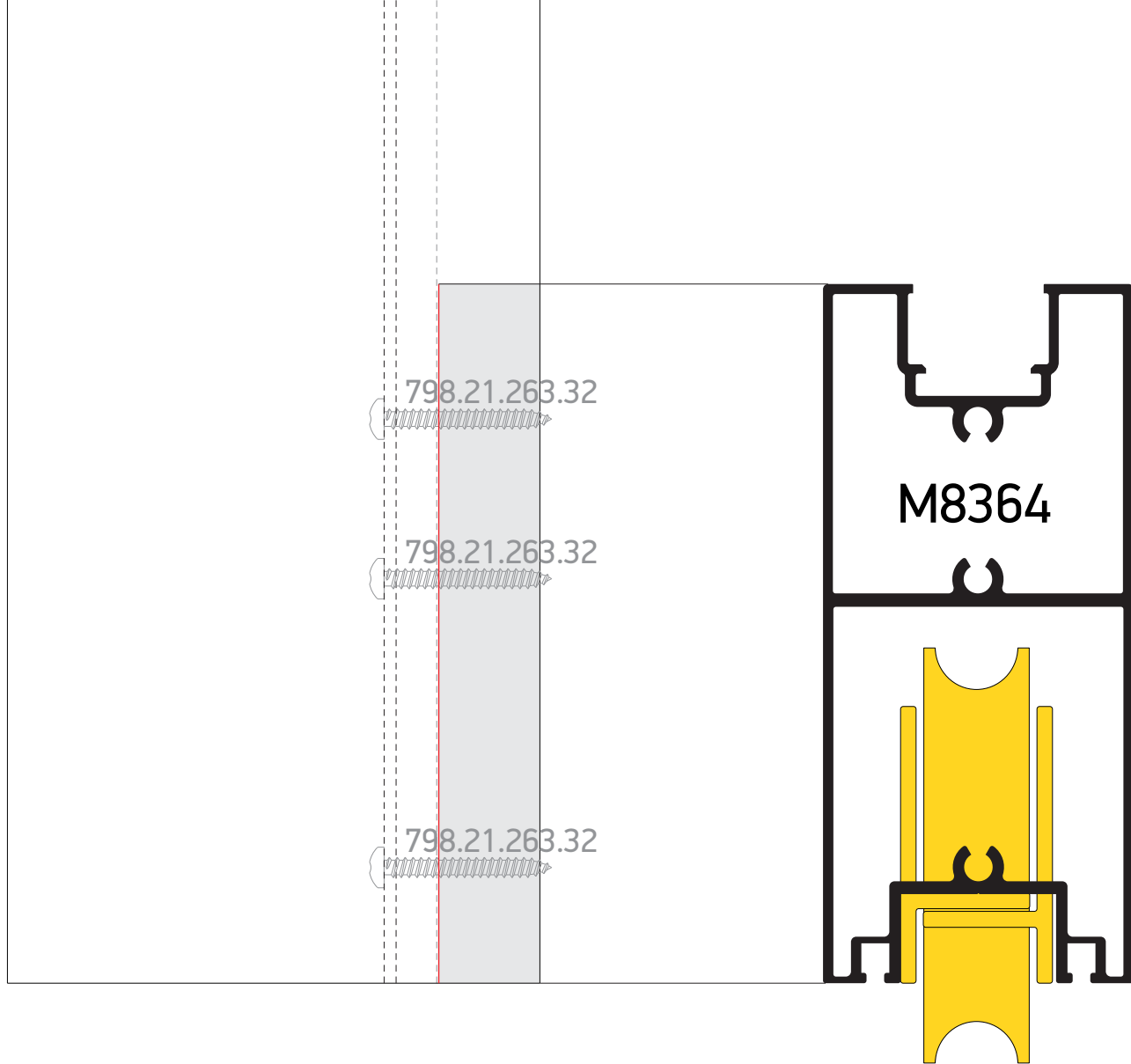
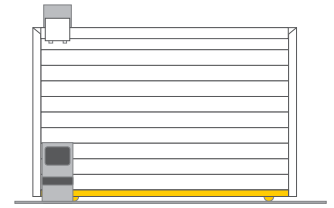
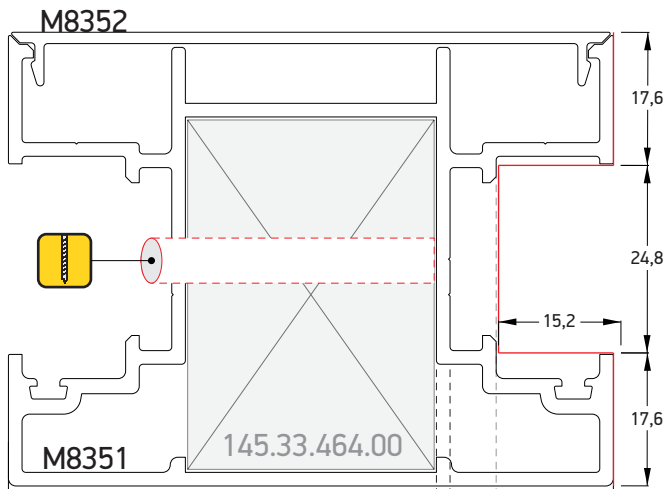
Machine Cuttings Sections (Transom)  
 Τομές συναρμογής με ξηθουριστικό μηχάνημα (Τραβέρσα)



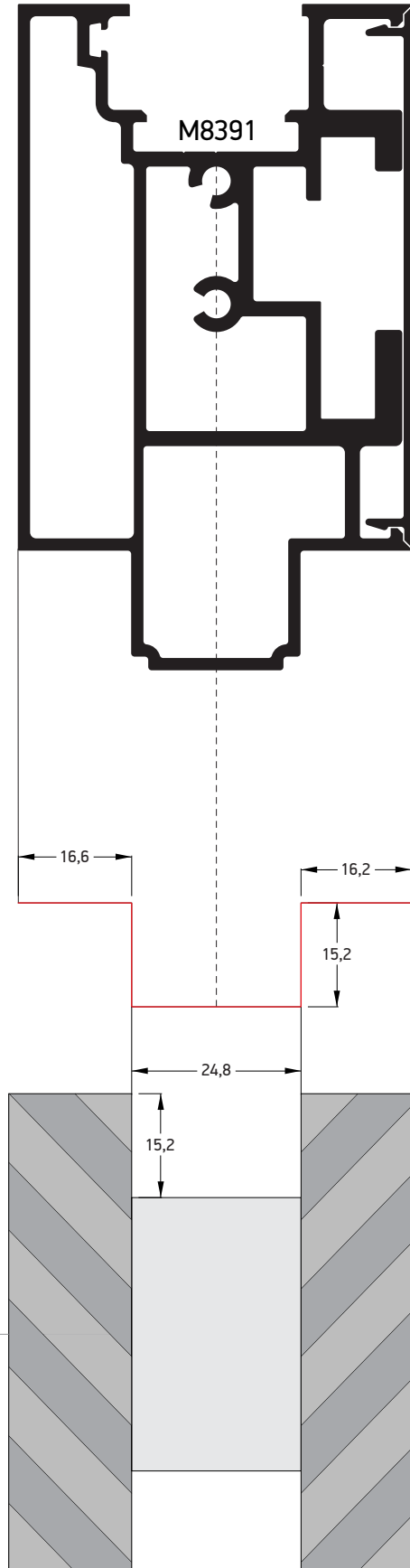
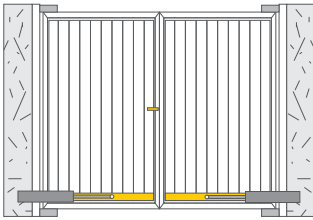
Machine Cuttings Sections (Bottom Rail)  
 Τομές συναρμογής με ξηθουριστικό μηχάνημα (Κάτω Ταμπλάς)



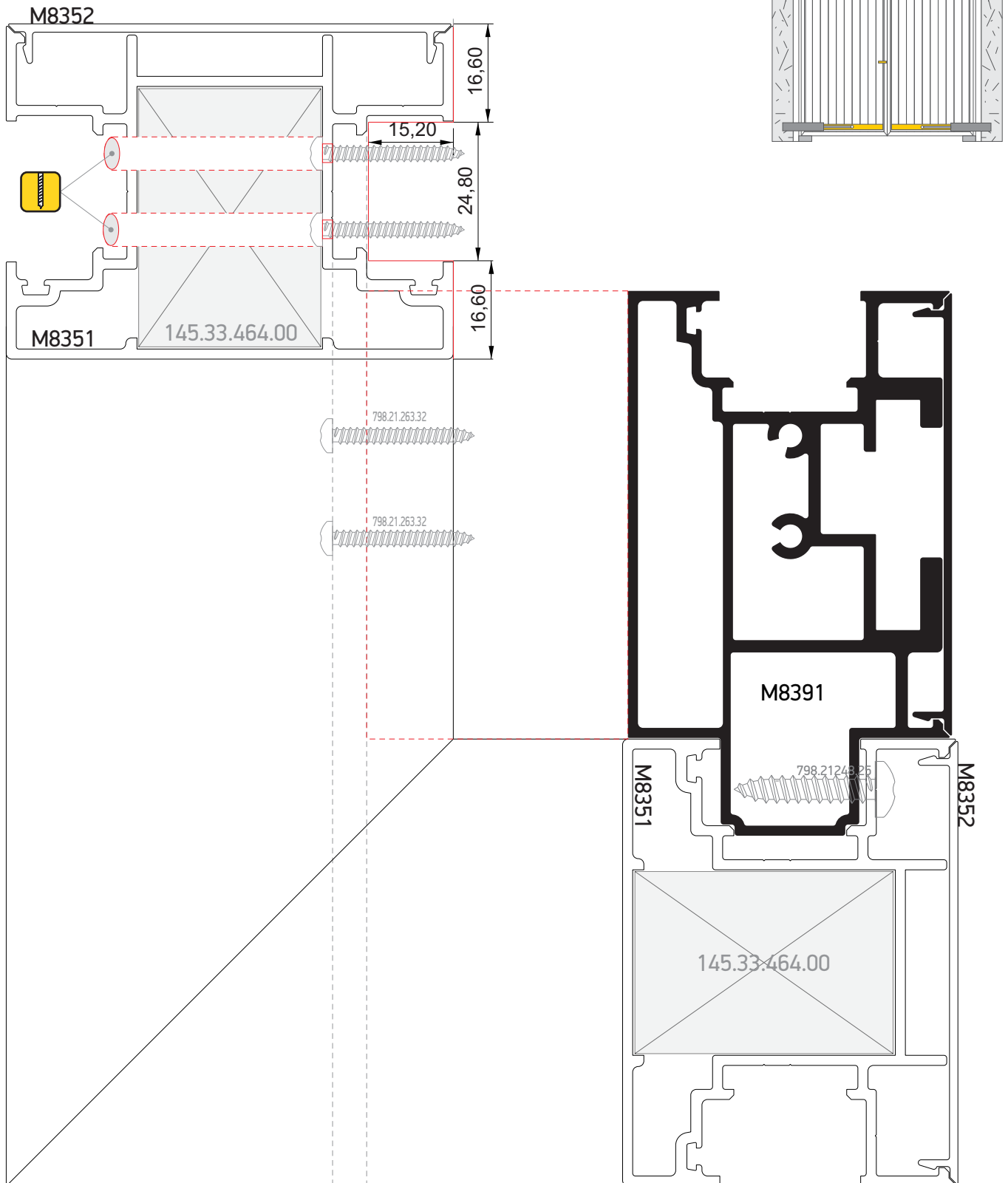
**Machine Cuttings Sections (Bottom Rail)**  
**Τομές συναρμογής με ξηθουριστικό μηχάνημα (Κάτω Ταμπλάς)**



**Machine Cuttings Sections (Motor Transom)**  
**Τομές συναρμογής με ξηθουριστικό μχάνημα (Τραβέρσα μωτέρ)**

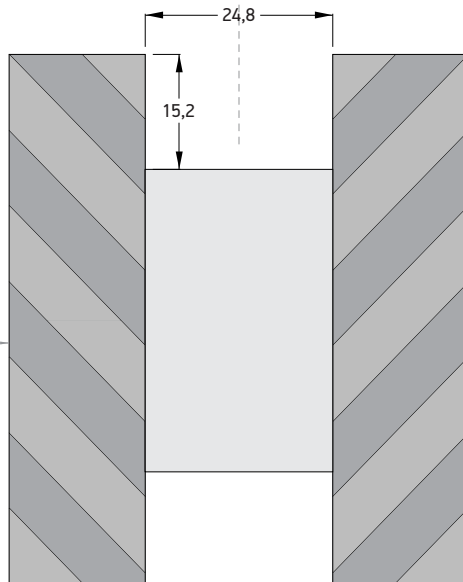
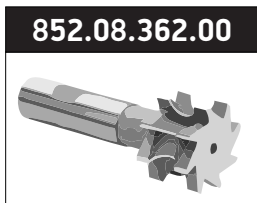
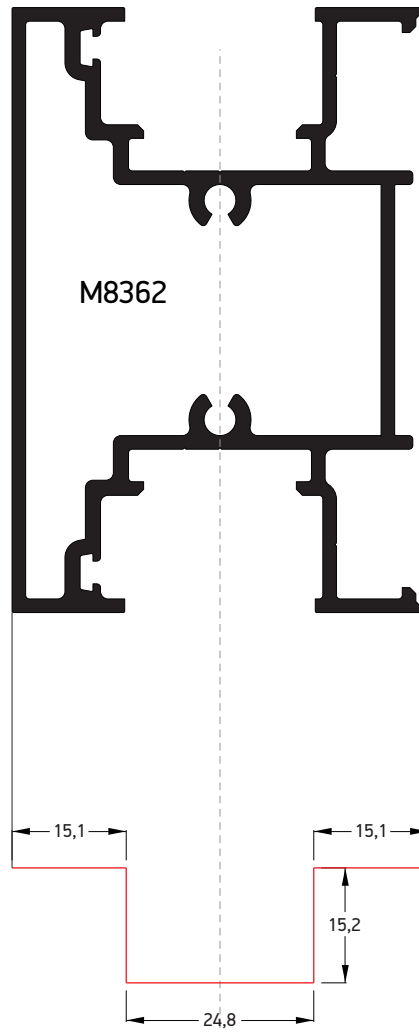
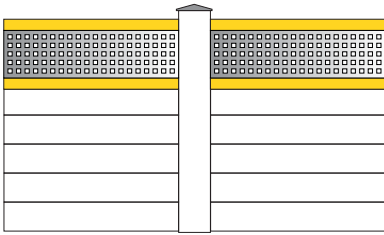


Machine Cuttings Sections (Motor Transom)  
 Τομές συναρμογής με ξηθουριστικό μχάνημα (Τραβέρσα μοτέρ)

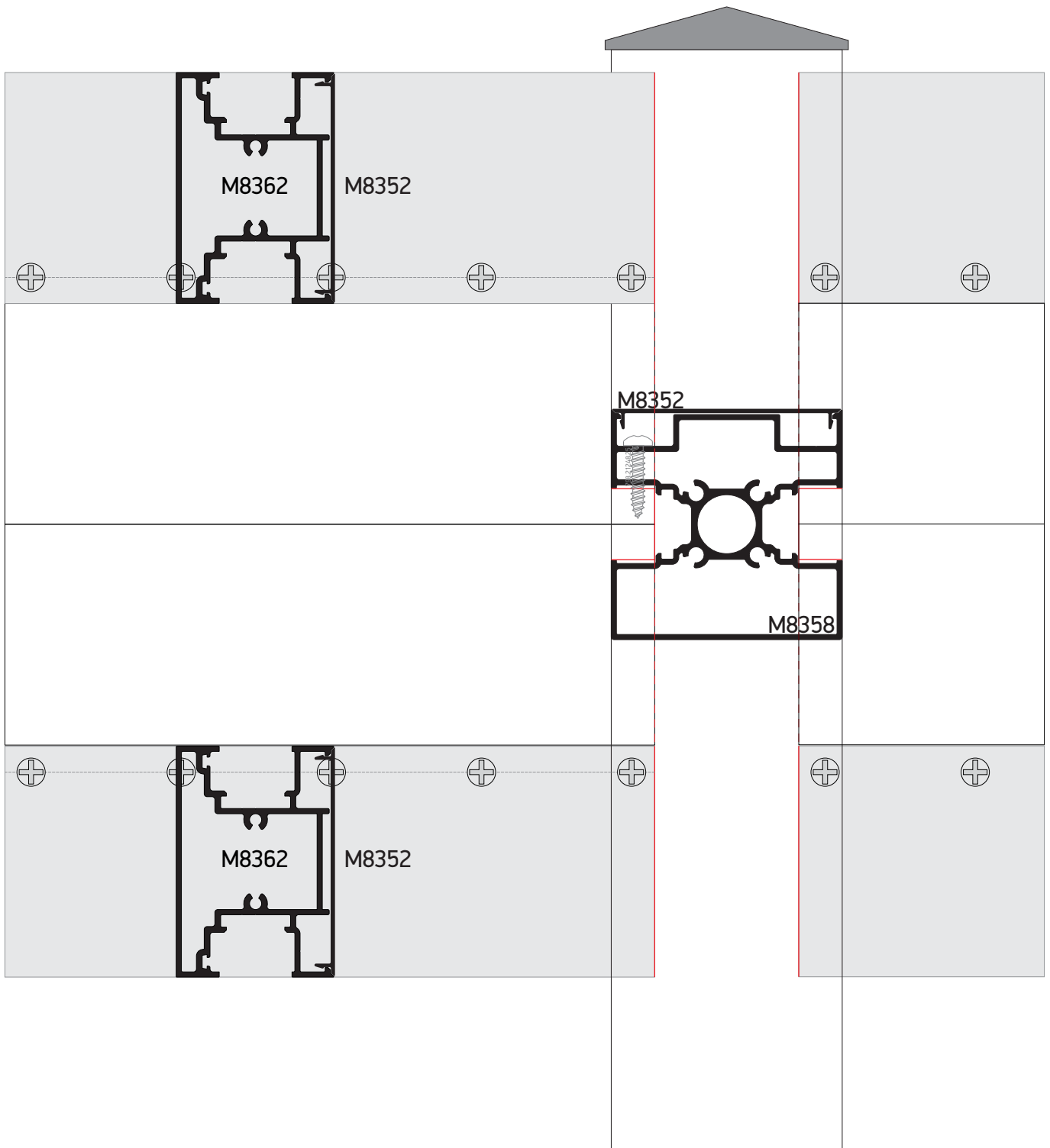
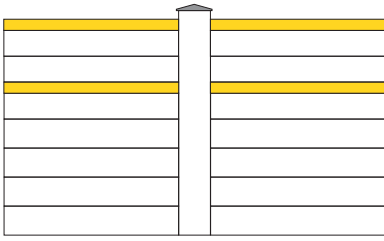




Machine Cuttings Sections (Transom to Post)  
 Τομές συναρμογής με ξηθουριστικό μηχάνημα (Τραβέρσα σε κοιλόνα)



Machine Cuttings Sections (Transom)  
 Τομές συναρμογής με ξηθουριστικό μηχάνημα (Τραβέρσα)

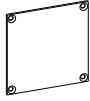


A decorative graphic on the left side of the page consisting of several overlapping diagonal stripes in shades of yellow and orange, extending from the top left towards the bottom right.

## Accessories - Gaskets Εξαρτήματα - Ελαστικά

**435.57.008.00**

Aluminium  
120x3mm

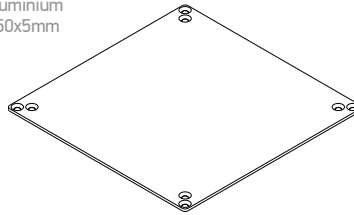


End Cap For Mullion M5701

Καπάκι Κοιλώνας M5701

**830.83.900.00**

Aluminium  
250x5mm

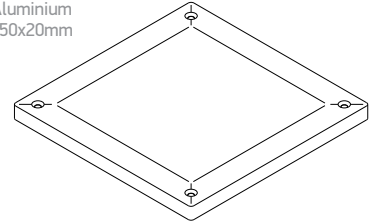


250x5mm Mullion End cap

Επίπεδο καπάκι κοιλώνας 250x5mm

**830.83.901.00**

Aluminium  
250x20mm

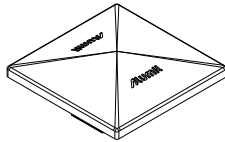


250x20mm Mullion End cap

Επίπεδο καπάκι κοιλώνας 250x20mm

**830.83.580.00**

Aluminium

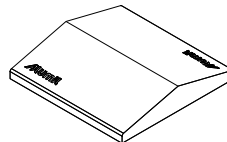


FC80 Post end cap

Τάπα κοιλώνας FC80

**830.83.510.00**

Aluminium

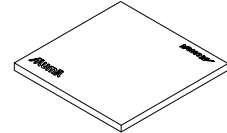


A.Type FC80 post end cap

Τάπα κοιλώνας FC80 τύπου.A

**830.83.540.00**

Aluminium

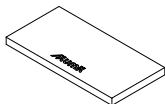


FC80 post flat end cap

Επίπεδο καπάκι κοιλώνας

**830.83.790.00**

Aluminium

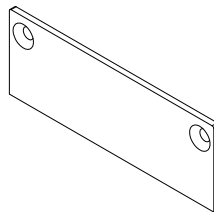


End cap for M8379 half post

Τάπα μισής κοιλώνας M8379

**830.58.880.00**

Aluminium

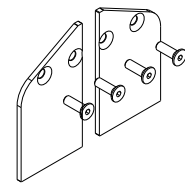


End cap for M5888 half post (120mm)

Τάπα μισής κοιλώνας M5888 (120mm)

**830.83.660.00**

Aluminium

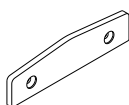


Pair of decorative cap for rack

Ζεύγος διακοσμητικής τάπας  
κρεμαγιέρας

**830.83.600.00**

Aluminium

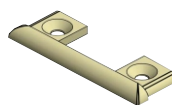


Fence hadrail end cap

Τάπα κουπαστής

**830.83.680.00**

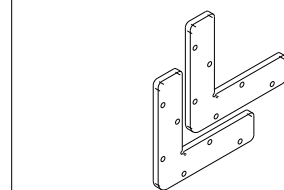
Aluminium



Injury protection fitting


Προστατευτική τάπα για πόρτα FC80

**112.25.210.00**



Cap for sliding gate's opposite profile  
M8365

Τάπα προφίλ αντικρίσματος συρόμενης  
M8365

830.83.532.00	M8392 (25x15)	Aluminium 
830.83.533.00	M8393 (25x25)	
830.83.534.00	M8394 (25x40)	
830.83.535.00	M8381 (25x60)	
830.83.530.00	M8380 (25x80)	
830.83.536.00	M8370 (25x120)	
830.83.537.00	M8399 (20x160)	
		Καπάκι

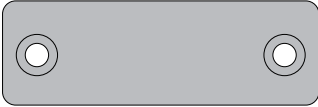
**310.24.120.xx**



WOODALUX plastic end cover  
24x120mm  
Πλαστική τάπα WOODALUX  
24x120mm

**310.57.660.xx**

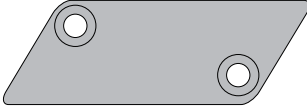
Aluminium



WOODALUX end cover  
24x120mm  
Τάπα WOODALUX  
24x120mm

**310.22.590.xx**

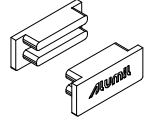
Aluminium



WOODALUX end cover  
25x90mm  
Τάπα WOODALUX end cover  
25x90mm

**830.83.551.00**

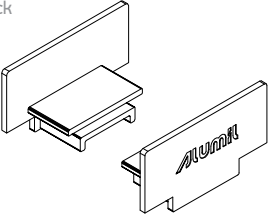
PA Black



Pair of caps for hinge profile M8355  
Τάπα για προφίλ μεντεσέ M8355

**830.83.531.00**

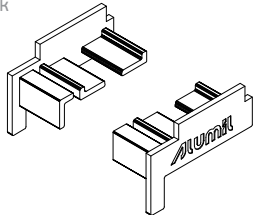
PA Black



Pair of caps for lock profile M8353  
Τάπα για προφίλ κλειδαριάς M8353  
ανοιγόμενης αυλόπορτας

**830.83.541.00**

PA Black



Pair of caps for striker's insert profile  
M8354  
Τάπα για μπινί αντικρίσματος M8354  
ανοιγόμενης αυλόπορτας

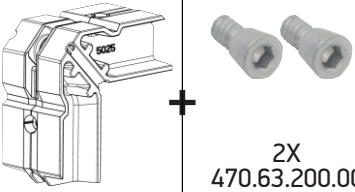
**830.08.398.00**

PA Black



Plastic cap for M8398  
Πλαστική τάπα για M8398

**145.33.464.00**



2X  
470.63.200.00

Crimp and nail corner cleat  
33,2x46,8mm  
Γωνία σύνδεσης χατ.  
πρεσαριστή καρφ. 33,2x46,8mm

**830.08.351.00**



Template for corner 145.33.464.00  
drilling holes to M8351  
Σαμπλόν της M8351 για άνοιγμα οπών  
γωνίας 145.33.464.00

**113.11.159.00**



Crimp corner cleat  
10,9x16,3mm  
Γωνία σύνδεσης πρεσαριστή  
10,9x16,3mm

### 435.57.001.33

Φυσική ανοδίωση  
Anodised

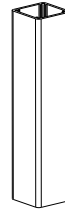


Anchorage plate 120mm

Βάση Στήριξης Κοιλόνas 120mm

### 435.57.001.34

Φυσική ανοδίωση  
Anodised

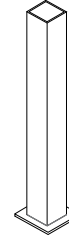


Reinforcement Profile  
for 120mm Mullion

Πυρήνας κοιλόνas 120mm

### 830.20.039.00

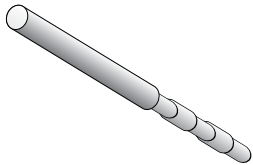
ST37 Galv



2m Metal Hollow  
200x200x10 ST37 for 250x250 Mullion  
2m Μεταλλικός ήβρος 200x200x6  
St37 για Κοιλόνas 250x250

### 395.50.03x.00

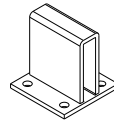
395.50.030.00 210mm (up to 0,60m height)  
395.50.031.00 400mm (0,60m-1,2m height)  
395.50.032.00 600mm (1,2m- height)



Anchorage Pin

Πίρος αγκύρωσης

### 830.83.500.00

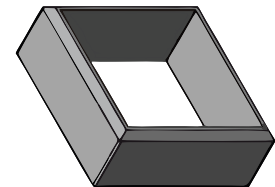


Aluminium anchor  
for M8350 Mullion

Αλουμινίου πυρήνας στήριξης κοιλόνas  
M8350

### 830.08.380.00

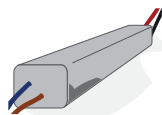
Aluminium



Rosette for 80mm mullions

Ροζέτα για 80mm κοιλόνas

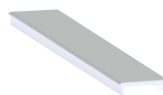
### 435.24.240.00



Power supply sealed  
IP 67 24V DC/240W

Τροφοδοτικό στεγ. IP 67 24V DC/240W

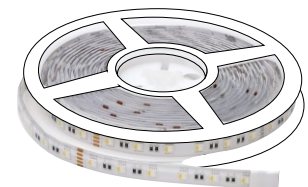
### 4351214450



LED cover for aluminium profile  
5m white

Κάλυμα LED για προφίλ αλουμινίου  
5m λευκό

### 435.24.322.00



LED strip light 24V 9.6W/m  
3200K IP65 SMD2835 10m

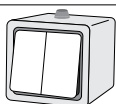
Ταινία LED 24V 9.6W/m  
3200K IP65 SMD2835 10m

### 435.12.14x.xx



435.12.146.09 Single Gray

435.12.146.02 Single White



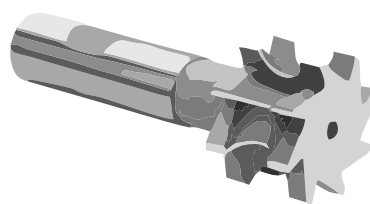
435.12.145.09 Double Gray

435.12.145.02 Double White

Weatherproof Switch, IP55 Outdoor

Υδατοστεγανός εξωτερικός  
διακόπτης IP55

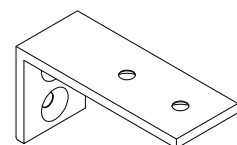
### 852.08.362.00



Milling Cutter FC80

Ξυλουργικό FC80

### 830.83.620.00



Crimp corner cleat  
30x60x19mm

Γωνία σύνδεσης πρεσαριστή  
30x60x19mm

**485.16.219.00**



Adjustable electric latch plate

Ηλεκτρικό κυπρί ρυθμιζόμενο

**830.59.600.09**

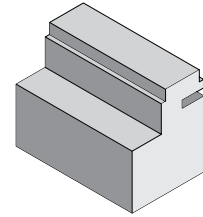


09 Silver RAL 9006

12V AC Electric Gate Lock

Ηλεκτρική κλειδαριά 12V AC με μεταλλικό επιδαπέδιο αντίκρισμα

**792.28.351.00**



Bracket for Viro locker

Εξάρτημα στήριξης κλειδαριάς Viro

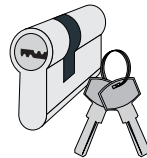
**440.00.450.00**



Single point latch lock 45/85/22/3

Κλειδαριά γλώσσα μονού σημείου 45/85/22/3

**460.34.040.00**



Cylinder 80mm 35.10.35 (40/40)

Μύλος κλειδαριάς 80mm 35.10.35 (40/40)

**485.05.450.00**

**485.03.450.00**

Aluminium



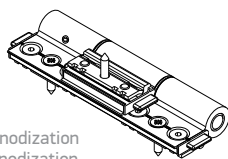
485.03.450.00 (3mm)  
485.05.450.00 (5mm)

Spacer for strike hook

Αποστάτης αντικρίσματος κλειδαριάς

**360.85.010.33**

**360.85.010.45**

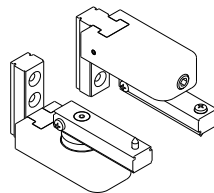


33 Silver anodization  
45 Black anodization

Door Hinge

Απλός Μεντεσές πόρτας

**830.83.550.xx**



33 Silver anodization  
45 Black anodization

FC80 Pivot Kit

Kit pivot μεντεσέ FC80

**415.62.986.00**



Concealed cable duct automatic A.opener

Κρυφός σωλήνας καλωδίου automatic A.opener

**380.97.610.xx**

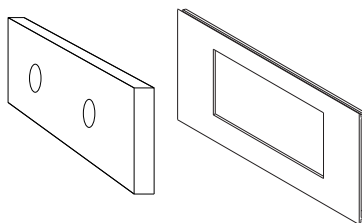


02 White  
06 Brown  
07 Bronze  
33 Light silver F1  
61 Black Matt  
67 Titanium F9

8mm pin door handle

Λαβή πόρτας με ροζέτα 8mm

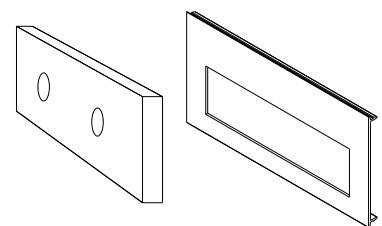
**830.84.001.00**



Cap for motor Nice

Καπάκι τραβέρσας μοτέρ Nice

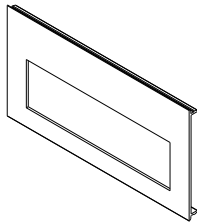
**830.84.002.00**



Cap for motor Somfy

Καπάκι τραβέρσας μοτέρ Somfy

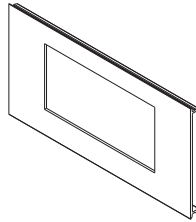
**830.18.352.00**



Cap for motor M8391 Somfy

Καπάκι τραβέρσας M8391 μοτέρ Somfy

**830.28.352.00**

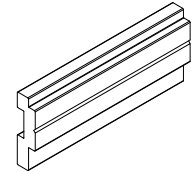


Cap for M8391 motor Nice

Καπάκι τραβέρσας M8391 μοτέρ Nice

**830.83.910.00**

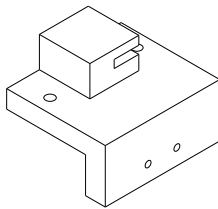
Aluminium



Motor support plate hinged gate for M8391

Πλάκα στήριξης μοτέρ ανοιγώμενης αυλόπορτας για M8391

**792.18.351.00**



Bracket for latch Fapim

Εξάρτημα στήριξης πύρου FAPIM



**474.03.715.00**

(220x24,5x10mm Extr. 24,5mm Black)

**474.37.160.00**

(450x24,5x10mm Extr. 24,5mm Black)

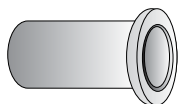
**474.03.717.09**

(650x24,5x10mm Extr.24,5 Silver Anod.)

Latch gate flat profile

Σύρτης αυλόπορτας ίσιο προφίλ

**474.03.738.00**



Lower latch deep Keeper for swing gate

Κάτω φωλιά δακτυλήθρα για ανοιγώμενη αυλόπορτα

**471.01.660.09**



Gate stopper

Stopper πόρτας

**180.20.010.xx**



\* 03 μαύρο  
\* 02 λευκό

Alignment corner M11000

Γωνία επιπεδότητας M11000

**764.04.025.00**

ALUMINIUM

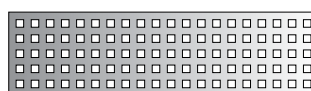


Aluminum perforated sheet 400x2500 (square slots 20x20mm)

Φύλλο αλουμινίου 400x2500mm (διάτρητο 20x20mm)

**764.10.020.00**

ALUMINIUM

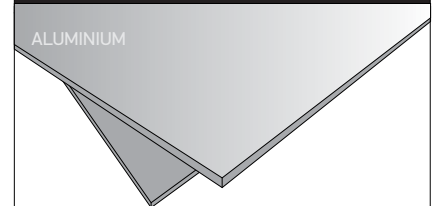


Aluminum perforated sheet 1000x2000 (square slots 20x20mm)

Φύλλο αλουμινίου 1000x2000mm (διάτρητο 20x20mm)

**764.21.330.00**

ALUMINIUM



Aluminum sheet 3000x1250x3mm

Φύλλο αλουμινίου 3000x1250x3mm



**830.83.662.00**

Phosphate coating

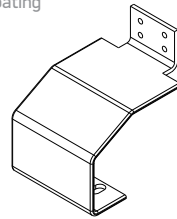


Sliding gate's guiding support  
for Concrete mullion

Στραντζαριστός οδύγος συρόμενης  
για τσιμεντοκοιλία

**830.83.661.00**

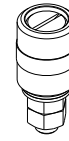
Phosphate coating



Sliding gate's guiding support

Στραντζαριστός οδύγος συρόμενης

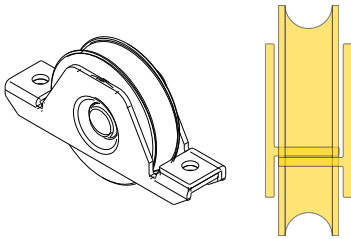
**830.82.304.00**



Cylindrical Sliding Guide  
(Acetal)  $\Phi 32 \times 41$ -M12

Κυλινδρικός Οδηγός συρόμενης  
(Ακετάλης)  $\Phi 32 \times 41$ -M12

**830.82.002.00**



Wheels for U-shape steel rail

Ράουλο συρόμενης U-προφίλ  
στρόγγυλη ράγα

**472.10.204.00**

Electrogalvanised steel



Half-round digested groove rail  
for sliding gates

Ράγα κύλισης  
χωνευτό στρόγγυλο προφίλ

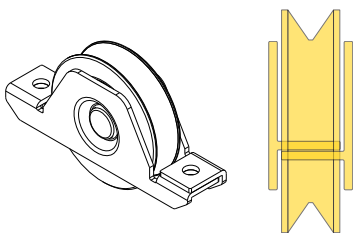
**513.80.580.00**



Plastic rail for sliding gates  
(25x20x1000mm)

Plastic ράγα συρόμενης  
(25x20x1000mm)

**830.82.020.00**

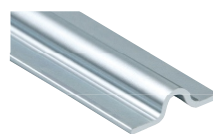


Wheels for V-shape steel rail

Ράουλο συρόμενης V-προφίλ  
στρόγγυλη ράγα

**472.10.201.00**

Electrogalvanised steel



Half-round flooring rail  
for sliding gates

Ράγα κύλισης στρόγγυλη  
επιδαπέδια

**440.73.119.00**

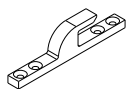


INOX Security Lock  
for sliding gate

INOX κλειδαριά  
συρόμενης αυλόπορτας

**830.83.650.33**

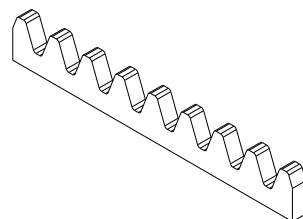
Anodized  
Aluminium



Strike hook sliding door

Αντίκρουσμα κλειδαριάς  
συρόμενης αυλόπορτας

**513.80.480.00**

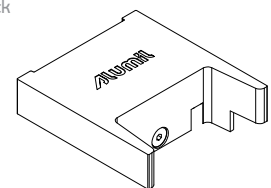


Metallic rail for sliding gates  
30X8X1000mm

Μεταλλική ράγα συρόμενης  
30X8X1000mm

**830.83.651.00**

PA Black



Cap for sliding gate's opposite profile  
M8365

Τάπα προφίλ αντίκρουσματος συρόμενης  
M8365

**830.30.240.00**



Hinged gate opener T003024

Μοτέρ ανοιγόμενης  
αυλόπορτας T003024

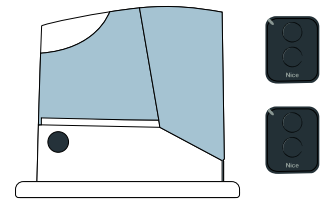
**830.45.000.00**



Hinged gate opener T004500

Μοτέρ ανοιγόμενης  
αυλόπορτας T004500

**513.84.400.00**



Motor for 400kg sliding gates

Μοτέρ  
συρόμενη αυλόπορτα εως 400kg

**830.40.024.00**



SLH400  
Slight motor for 400kg sliding gates  
SLH400 μοτέρ  
για συρόμενη αυλόπορτα έως 400kg

+

**513.60.002.00**



2 channels wireless controller

Ασύρματο χειριστήριο 2κάναλο

+

**830.15.249.00**



Nice OXI Radio receiver

Nice OXI δέκτης  
απομακρυσμένης λειτουργίας

**830.12.360.00**



Era ELDC Flashing LED  
Signal Light (12 . 36v DC)

Era ELDC LED Φάρος (12.36v DC)

**830.80.800.00**



Nice Control unit MC800  
(for replacement)

Nice πίνακας ελέγχου MC800  
(Ανταλλακτικό)

**830.80.824.00**



Nice Control unit MC824H (24V)  
(for replacement)

Nice πίνακας ελέγχου MC824 (24V)  
(Ανταλλακτικό)

**830.50.050.00**



Photocells Bluebus  
for sliding gate's motor SLH400

Ζεύγος Φωτοκυττάρων Bluebus  
για μοτέρ SLH400 συρόμενης αυλόπορτας

**513.60.003.00**



Photocells for gate's motor

Ζεύγος φωτοκυττάρων για μοτέρ  
αυλόπορτας

**830.52.018.00**



ETR Transponder proximity reader  
for card and badges

Αναγνώστης εγγύτητας  
κάρτας και τα πηλ. κλειδιών

513.90.600.00



TT1N control unit

Δέκτης TT1N ασύρματης λειτουργίας χωρίς διακόπτη

830.13.909.00



TT1L control unit for lighting

Δέκτης TT1L ασύρματης λειτουργίας χωρίς διακόπτη για φωτισμό

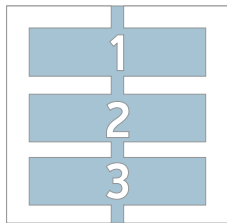
765.10.607.00



Wireless digital switch

Ψηφιακός ασύρματος διακόπτης

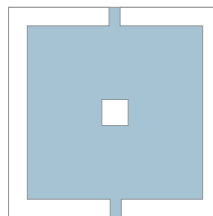
830.23.003.00



3 channel Nice WM003C remote control

3 κάρναλο τηλεχειριστήριο Nice WM003C

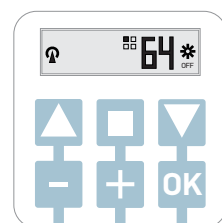
830.23.001.00



1 channel Nice WM001C remote control

1 κάρναλο τηλεχειριστήριο Nice WM001C

830.23.007.00



Module for the Open-Stop-Close control of 80 automations

Ενότητα Open-Stop-Close έλεγχου 80 αυτοματισμών

830.81.921.00



Transponder badge key

Μπρελόκ κλειδιά ανάγνωσης

830.31.584.00



Nice MOCARD Transponder card

NiceMOCARD Κάρτα ανάγνωσης

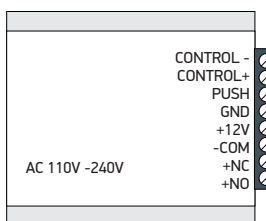
830.43.418.00



Nice MORX Decoder Decoder for EDS, EDSI, ETP

Αποκωδικοποιητής Nice MORX για EDS, EDSI, ETP

830.20.080.00



Power supply control

Έλεγχος παροχής ηλεκτρικού ρεύματος

830.23.969.00



Nice IT4WiFi Smart Gate & Garage Interface

Nice IT4WiFi ασύρματος μηχανισμός πόρτας

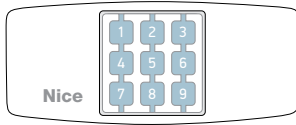
830.14.935.00



Nice Core WiFi radio gateway

Nice Core ασύρματος σταθμός έλεγχου

**830.23.124.00**

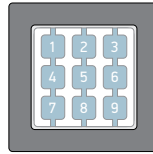


**ONDO portable and table-top support**  
(remote control not included)

**ONDO Φορητό και επιτραπέζιο πλαιοιο χειριστηρίου** (το χειριστήριο δεν περιλαμβάνεται)

**830.23.191.00**

**830.23.192.00**



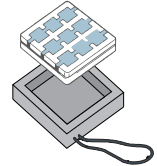
830.23.191.00 graphite  
830.23.192.00 white

**Opla square wall plate**  
(remote control not included)

**Οπλα επιτοίχια τετράγωνη βάση**  
(το χειριστήριο δεν περιλαμβάνεται)

**830.23.307.00**

**830.23.309.00**



830.23.307.00 graphite  
830.23.309.00 ice blue

**Mini cover**  
(remote control not included)

**Μίνι κάλυμμα**  
(το χειριστήριο δεν περιλαμβάνεται)

**830.16.558.00**



**Somfy IXENGO L 3S  
Comfort pack 400Kg\*\***

Somfy Comfort pack μηχανισμός  
ανοιγόμενης αυλόπορτας 400Kg\*\*

**830.16.559.00**



**Somfy IXENGO L3S IO Connexoon  
pack 400kg/4m\*\***

Somfy IXENGO L3S IO Connexoon pack  
400kg/4m \*\*

**830.16.601.00**



**Somfy Elixo Smart IO  
Comfort pack 400Kg**

Somfy Elixo Smart Comfort pack  
ανοιγόμενης αυλόπορτας 400Kg

**830.16.534.00**



**Somfy Elixo Smart IO  
Connexoon pack 400Kg**

Somfy Elixo Smart Connexoon pack  
ανοιγόμενης αυλόπορτας 400Kg

**830.16.365.00**



**Somfy Elixo Smart IO  
Comfort pack 500Kg**

Somfy Elixo Smart Comfort pack  
ανοιγόμενης αυλόπορτας 500Kg

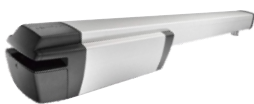
**830.16.480.00**



**Somfy Elixo Smart IO  
Connexoon pack 500Kg**

Somfy Elixo Smart Connexoon pack  
ανοιγόμενης αυλόπορτας 500Kg

**435.16.560.00**



**Somfy IXENGO L 24V**

**435.41.147.00**



**IXENGO 3S RTS 24V Controlbox  
2 keyGO RTS**

**435.16.413.00**



**ELIXO OPTIMO RTS 24V  
2 keyGO RTS**

**830.90.010.01**



**Battery kit for ELIXO moter**

Κιτ μπαταρίας για μηχανισμούς ELIXO

**830.41.233.00**



**Photocells for gate's motor**

Ζεύγος φωτοκυττάρων για μοτέρ  
αυλόπορτας

**\*\*Application area in detail  
4m and 170kg  
3m and 300kg  
2,5m and 400kgh**

**513.75.067.00**



Bagdes set of 2

Σετ 2 μπρελόκ προσέγγισης

**513.41.064.00**



KEYGO RTS 4 channel remote control

Τηλεχειριστήριο (MINI) 4 καναλιών  
KEYGO RTS

**513.41.134.00**



KEYGO IO 4 channel remote control

Τηλεχειριστήριο (MINI) 4 καναλιών  
KEYGO IO

**435.13.540.00**

**435.14.780.00**



Tahoma Premium-Home automation  
controller

Tahoma Premium-Κεντρική μονάδα  
απομακρυσμένου ελέγχου

**830.41.224.00**



Somfy VPRO Premium IO  
Colour monitor 7"

Somfy VPRO Premium  
Έγχρωμη οθόνη 7"

**830.41.219.00**



Somfy Expansion module  
for intercom system

Somfy Εξωτερική μπουτονιέρα  
με κάμερα

**830.20.027.00**



Somfy  
Power supply for 1 monitor

Somfy Μονάδα ρεζέ  
με δύο τρόπους λειτουργίας

**830.20.028.00**



Somfy  
Power supply for 2 monitor

Somfy Μονάδα ρεζέ  
με δύο τρόπους λειτουργίας

**830.41.220.00**



Somfy  
VPro keypad external module

Somfy  
VPro Εξωτερικό πληκτρολόγιο

**435.11.330.00**



Remote wall mounted controller

Ασύρματο χειριστήριο τοίχου

**830.20.026.00**



Somfy  
Flush rain shield support 2 modules

Somfy Χωνευτή καλύπτρα  
για προστασία χειριστηρίων από βροχή

**830.01.563.00**



Somfy  
CCTV Outdoor Camera 1080p

Somfy  
CCTV αδιάβροχη κάμερα 1080p

**830.41.211.00**



Somfy  
GU Controller IO  
Somfy

Δέκτης ηλεκτρικής κλειδαριάς 24V GU

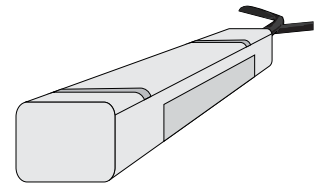
**830.22.649.00**



Somfy OnOff lighting receiver

Somfy  
Μικροδέκτης Ιζυμο OnOff

**435.22.611.00**



LED light receiver SOMFY IO white

Δέκτης φωτισμού  
SOMFY IO για LED Λευκός

**830.41.207.00**



Somfy Digipad IO  
Wireless Keypad

Somfy Digipad IO  
Ασύρματο χειριστήριο τοίχου

**830.41.244.00**



VPRO 2 buttons module

VPRO εξωτερική μπουτονιέρα  
2 κλήσεων

**830.41.245.00**



VPRO 4 buttons module

VPRO εξωτερική μπουτονιέρα  
4 κλήσεων

**830.20.020.00**



VPRO flush frame 1 module

VPRO χωνευτό πλαίσιο μονό

**830.20.020.00**



VPRO flush frame 2 module

VPRO χωνευτό πλαίσιο διπλό

**830.20.019.00**



VPRO surface frame 1 module

VPRO εξωτερικό πλαίσιο μονό

**830.20.023.00**



VPRO surface frame 1 module

VPRO εξωτερικό πλαίσιο μονό



## 798.12.242.19

INOX A2



CSK Tapping screw ISO 7049/DIN 7981  
INOX A2 4,2X19 PH

Φρεζάτη λαμ/βίδα ISO 7049/DIN 7981  
INOX A2 4,2X19 PH

## 798.12.248.50

INOX A2



CSK Tapping screw ISO 7049/DIN 7981  
INOX A2 4,8X50 PH

Φρεζάτη λαμ/βίδα ISO 7049/DIN 7981  
INOX A2 4,8X50 PH

## 798.21.248.13

INOX A2



Pan Tapping screw ISO 7049/DIN 7981  
INOX A2 4,8X13 PH

Κεφαλωτή λαμ/βίδα ISO 7049/DIN 7981  
INOX A2 4,8X13 PH

## 798.21.248.25

INOX A2



Pan Tapping screw ISO 7049/DIN 7981  
INOX A2 4,8X25 PH

Κεφαλωτή λαμ/βίδα ISO 7049/DIN 7981  
INOX A2 4,8X25 PH

## 798.21.255.32

INOX A2

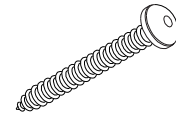


Pan Tapping screw ISO 7049/DIN 7981  
INOX A2 5,5X32 PH

Κεφαλωτή λαμ/βίδα ISO 7049/DIN 7981  
INOX A2 5,5X32 PH

## 798.41.263.32

Γαλβανιζέ  
Galvanized



Pan tapping screw  
ISO 7049/DIN 7981 galv. 6,3X32 PH

Κεφαλωτή λαμ/βίδα  
ISO 7049/DIN 7981 γαλβ. 6,3X32 PH

## 798.12.263.50

Γαλβανιζέ  
Galvanized



Pan tapping screw  
ISO 7049/DIN 7981 galv. 6,3X32 PH

Κεφαλωτή λαμ/βίδα  
ISO 7049/DIN 7981 γαλβ. 6,3X32 PH

## 798.21.263.90

Γαλβανιζέ  
Galvanized



Pan tapping screw  
ISO 7049/DIN 7981 INOX 6,3X90 PH

Κεφαλωτή λαμ/βίδα  
ISO 7049/DIN 7981 INOX 6,3X90 PH

## 762.75.100.00



Concrete screw CSK  
T30 7,5x100 galv.

Βίδα μπετού φρεζάτη  
T30 7,5x100mm γαλβ.

## 798.82.305.20

INOX A2



CSK Tapping Allen screw  
ISO10642/DIN 7991 inox A2 5X20PH

Φρεζάτη λαμ/βίδα ISO 10642/DIN 7991  
Allen INOX A2 5X20 PH

## 798.82.405.16

INOX A2



CSK Tapping Allen screw  
ISO10642/DIN 7991 inox A2 5X16 PH

Φρεζάτη λαμ/βίδα ISO 10642/DIN 7991  
Allen INOX A2 5X16 PH

## 798.82.205.25

INOX A2



CSK Tapping Allen screw  
ISO10642/DIN 7991 inox A2 5X25 PH

Φρεζάτη λαμ/βίδα ISO 10642/DIN 7991  
Allen INOX A2 5X16 PH



**762.64.260.16**

INOX A2



CSK Tapping Allen screw  
ISO10642/DIN 7991 inox A2 6X16PH  
Φρεζάτη ραμ/βίδα ISO 10642/DIN 7991  
Allen INOX A2 6X16 PH

**798.82.306.18**

INOX A2



CSK Tapping Allen screw  
ISO10642/DIN 7991 inox A2 6X18PH  
Φρεζάτη ραμ/βίδα ISO 10642/DIN 7991  
Allen INOX A2 6X18 PH

**200.08.007.01**



Glazing gasket 2mm EPDM black

Ελαστικό σφίνα 2mm EPDM μαύρο

**200.08.002.01**



Glazing gasket 2mm EPDM black

Ελαστικό σφίνα 2mm EPDM μαύρο

**250.85.015.01**



Gasket for sash

Ελαστικό φύλλου φυσούνας

**220.00.930.03**



Gasket for S650 hook EPDM black

Ελαστικό γάντζου S650 EPDM μαύρο

**220.60.000.03**



Bubble gasket 7mm  
Elaprene Black

Ελαστικό φούσκα 7mm  
Elaprene μαύρο

**250.85.026.13**



Gasket for sash

Ελαστικό φύλλου φυσούνας

**620.69.112.03**



Brush Seals 12 mm, 4P, Black

Βουρτσάκι 12 mm, 4P, Μαύρο

**770.55.866.04**



Chemical anchor 300ml

Κόλλη αγκύρωσης 300ml

**770.13.101.00**



Adhesive for corners 310ml

Κόλλη γωνιάστρας 310ml

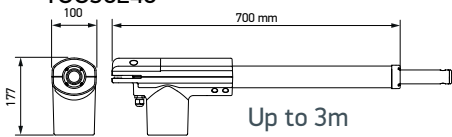
## Hinged gate's motor opener Specifications Χαρακτηριστικά μηχανισμού σύνδεσης ανοιγόμενης αυλόπορτας

Nice

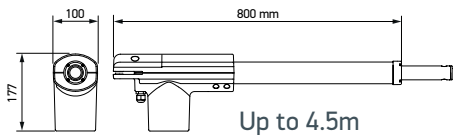


### DIMENSIONS

830.30.240.00  
T0030240



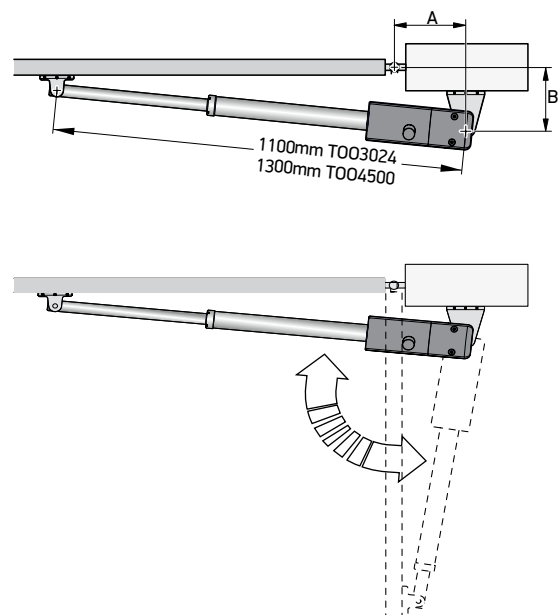
830.45.000.00  
T004500



### TECHNICAL SPECIFICATIONS


CODE	T003024	T004500
<b>ELECTRICAL DATA</b>		
POWER SUPPLY ( Vac 50 Hz)	-	230
POWER SUPPLY (Vdc)	24	-
RATED ABSORPTION (A)	1.1	1.1
MAXIMUM ABSORPTION (A)	5	1.5
RATED POWER (W)	30	250
MAXIMUM POWER (W)	120	340
<b>PERFORMANCE DATA</b>		
SPEED (M/S)	0.014	0.016
RATED FORCE (N)	300	300
MAXIMUM FORCE (N)	1800	2000
WORK CYCLE (CYCLES/HOUR)	CONTINUOUS	24
<b>DIMENSIONAL AND GENERAL DATA</b>		
PROTECTION LEVEL (IP)	54	54
WORKING TEMP. (°C MIN/MAX)	-20 ÷ +50	-20 ÷ +50
DIMENSIONS (mm)	700x100x177	800x100x177
WEIGHT (kg)	5.5	6

		A	B
830.30.240.00 T0030240	90°	95	270
	90°	195	200
	110°	150	150
830.45.000.00 T004500	90°	200	250
	110°	170	170


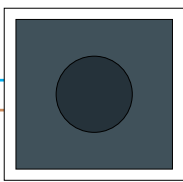


MORX with Card reader for sliding gate (ROAD 400)  
 MORX με συσκευή ανάγνωσης καρτών για συρόμενη αυλόπορτα (ROAD 400)


Nice




830.43.418.00

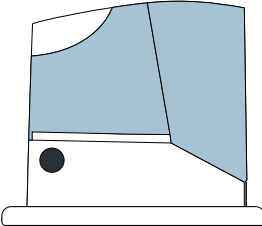
830.52.018.00



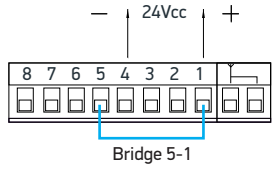
830.81.921.00



830.31.584.00



RBA4/A - ROAD 400  
513.84.400.00




Bridge 5-1

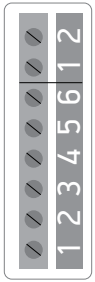
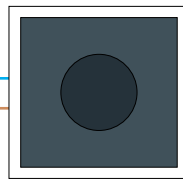
MORX		RBA4/A
1	→	1
2	→	4
3	→	2
4	→	1
5		
6		

MORX with Card reader for MC424L and TOO3024 (830.30.240.00)  
 MORX με συσκευή ανάγνωσης καρτών για MC424L και TOO3024 (830.30.240.00)


Nice




830.43.418.00

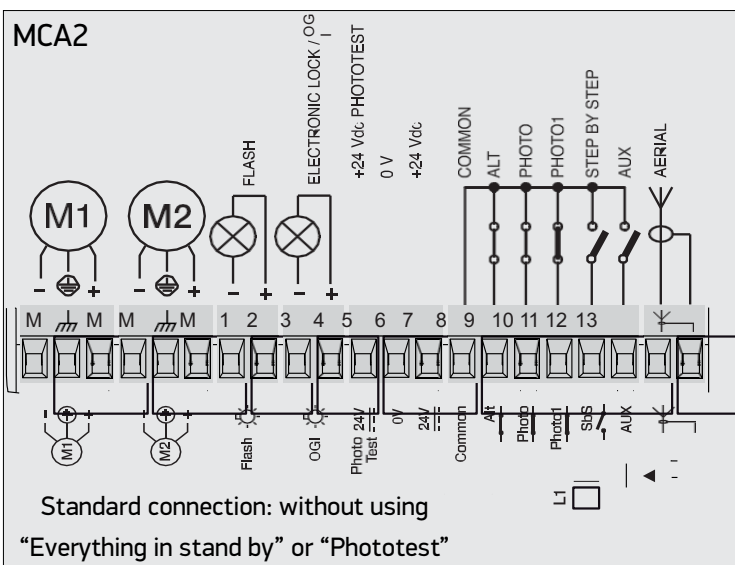
830.52.018.00



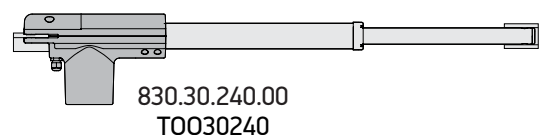
830.31.584.00



830.81.921.00

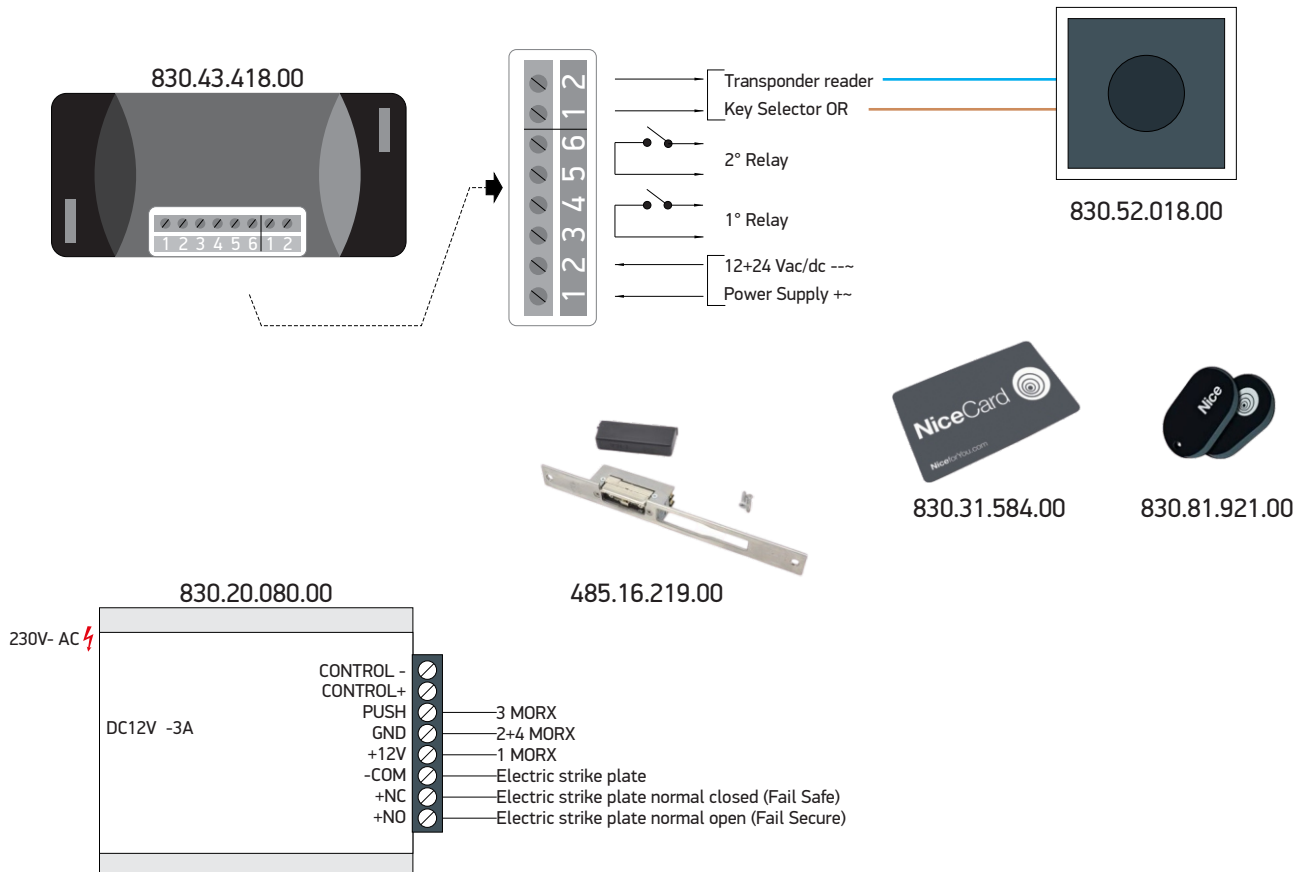


MORX		MCA2	
1	→	7	(24Volt)
2	→	6	(0 v)
3	→	12	(Step-by-step)
4	→	8	(Common)
5	X		
6	X		



MORX with Card reader and electric strike plate for swing gate  
 MORX με συσκευή ανάγνωσης καρτών και ηλ.κρηρί για ανοιγόμενα αυλόπορτα

Nice

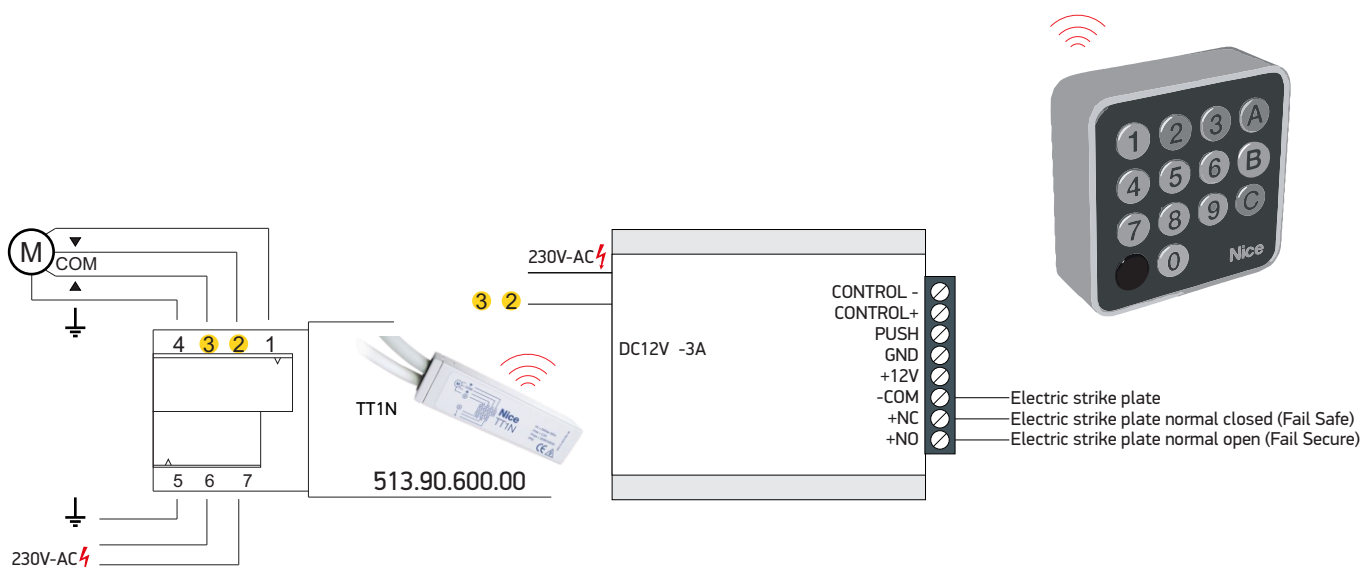


01. Press the decoder key: - the decoder will start sounding regularly. -The beeps will continue for 30 seconds.  
 02. Within this time, pass the card to the reader 1 time to pass to the first relay, 2 times to pass to the second relay and 3 times to pass to both relays.  
 Note-you can schedule more cards after the first one by repeating step 02 for each of them within 10 seconds from the moment the previous card was passed to the reader.  
 03. To end the process, wait for the period of 10 seconds after the last card. If desired, you can save more cards to the reader at any time, repeating the process.

01. Πατήστε το πλήκτρο αποκωδικοποιητή: - ο αποκωδικοποιητής θα αρχίζει να ηχεί τακτικά. - Τα μπιπ θα συνεχιστούν για 30 δευτερόλεπτα. v  
 02. Μέσα σε αυτό το διάστημα, περάστε την κάρτα στον αναγνώστη 1 φορά για να περαστεί στο πρώτο ρελέ, 2 φορές για να περαστεί στο δεύτερο ρελέ και 3 φορές για να περαστεί και στα δύο ρελέ.  
 Σημείωση - Μπορείτε να προγραμματίσετε περισσότερες κάρτες μετά την πρώτη, επαναλαμβάνοντας το βήμα 02 για κάθε μία από αυτές εντός 10 δευτερολέπτων από την στιγμή που η προηγούμενη κάρτα περάστηκε στον αναγνώστη.  
 03. Για να τερματίσετε τη διαδικασία, περιμένετε την περίοδο των 10 δευτερολέπτων μετά την τελευταία κάρτα. Εάν θέλετε, μπορείτε να αποθηκεύσετε περισσότερες κάρτες στον αναγνώστη ανά πάσα στιγμή, επαναλαμβάνοντας την διαδικασία.

## Programming first controller in Mode II Προγραμματισμός πρώτου χειριστηρίου στο Mode II

Nice



### Προγραμματισμός πρώτου χειριστηρίου στο Mode II

1. Πιέστε και κρατήστε πατημένο όποιο πλήκτρο θέλετε να προγραμματίσετε μέχρι να ακούσετε και το 3ο μπιπ.
2. Αφήστε το πλήκτρο.
3. Πιέστε το ίδιο πλήκτρο τόσες φορές όσες περιγράφει ο παραπάνω πίνακας εντολών, για να δώσετε την επιθυμητή εντολή.
4. Μετά από λίγο το μοτέρ θα κάνει τα αντίστοιχα μπιπ της εντολής που πήρε το πλήκτρο (1 μπιπ = Βήμα προς βήμα, 2 = Πάνω-Στοπ, 3 = Κάτω-Στοπ, 4 = Στοπ)
5. Πιέστε ξανά το ίδιο πλήκτρο μέχρι να ακούσετε τα 3 μπιπ της επιβεβαίωσης.

### Για να προγραμματίσετε το δεύτερο πλήκτρο του χειριστηρίου

**θα πρέπει να το αντιμετωπίσετε όπως ένα προστιθέμενο νέο χειριστήριο και να ακολουθήσετε τις κάτωθι οδηγίες:**

1. Πιέστε και κρατήστε πατημένο το πλήκτρο που πρέπει να προγραμματίσετε στο νέο κοντρόλ μέχρι να ακούσετε ένα μπιπ, μετά αφήστε το.
2. Μέσα σε 5 δευτερόλεπτα πιέστε και κρατήστε πατημένο το πλήκτρο ενός ήδη προγραμματισμένου κοντρόλ μέχρι να ακουστούν 2 μπιπ, μετά αφήστε το πλήκτρο.
3. Μέσα σε 5 δευτερόλεπτα πιέστε το ίδιο πλήκτρο του προγραμματισμένου χειριστηρίου τόσες φορές όσες και οι φορές που αντιστοιχούν στην επιθυμητή εντολή.
4. Υστερα από 3 δευτερόλεπτα θα ακουστούν τα αντίστοιχα μπιπ της επιλεγμένης εντολής.
5. Μέσα σε 2 δευτερόλεπτα πιέστε το ίδιο πλήκτρο του νέου χειριστηρίου.

Αφήστε το πλήκτρο όταν ακούσετε το πρώτο από τα 3 μπιπ της επιβεβαίωσης.

### Programming first controller in Mode II

1. Press and hold any key you want to program until you hear the 3rd beep.
2. Release the key.
3. Press the same key as many times as described in the above command table, to give the desired command
4. After a while the motor will make the corresponding Beeps of the command that took the key (1 beep = Step By Step, 2 = up-Stop, 3 = down-Stop, 4 = Stop)
5. Press the same key again until you hear the 3 Beeps of the confirmation.

### To program the second key of the joystick

**you should treat it like an added new joystick and follow the instructions below:**

1. Press and hold the key you need to program on the new control until you hear a beep sound, then release it.
2. Within 5 seconds, press and hold the key of an already programmed control until 2 beeps sound are heard, then release the key.
3. Within 5 seconds press the same key of the programmed controller until the desired command.
4. After 3 seconds the beeps of the selected command will be heard.
5. Within 2 seconds press the same key of the new control.

Release the key when you hear the first of the 3 confirmation Beeps.

## MOTOR KITS FOR OPENING YARD DOORS

somfy.

**Up to 4 m  
400 kg per leaf**

**Collective housing  
Intensive use**

Magnetic end limit

Decoupling system with individual key

**Robust, efficient and easy to install for 100% successful installation**

**3S Control Box** : quickly installed, customizable, intuitive (see pages 60 and 61)

**Easy to install**

- Fix & Go App
- Intuitive App for easy and successful motor fixation, ensuring optimized operating performances
- Adjustable or weldable fixing pillar brackets, adapting to all installation configurations
- Advanced and unique end limits setting accessible from the top with a led blinking when the good position is reached

**Safe to use**

- Its non-reversing mechanism provides excellent resistance against high winds or forcing
- Easy and secured decoupling with individual key

**Customized installation**

- Soft stop and adjustable torque
- Very accurate closing position and closing force adjustment
- Slow speed area and offset between 2 leaves adjustable down to minimum

**io-homecontrol™ technology**

- Compatible with all equipment from the Somfy io range
- Feedback from all two-way io remote controls
- Remote operation and control with TaHoma® and Connexoon

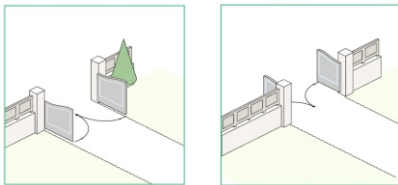
**Application area in detail**

- 4 m and 170 kg
- 3 m and 300 kg
- 2.6 m and 400 kg

Electric lock recommended for leaves above 2 m

### Application area

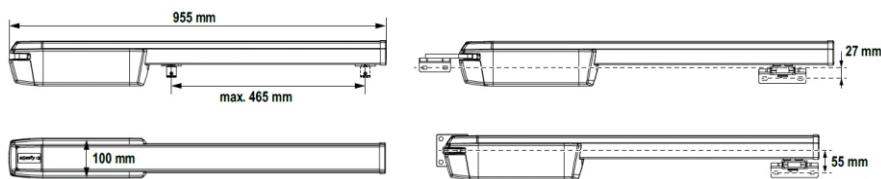
- Opening angle up to 145°  
Up to 4 m - 400 kg per leaf
- Outward opening up to 90°  
Up to 4 m - 400 kg per leaf



### Technical characteristics

Mains power supply	220-230 V - 50-60 Hz	Thrust force	2,000 N
Minimum room needed behind the leaf*	144 to 236 mm for 90° angle opening (depending on the hinge pin offset)	Working stroke	465 mm
Maximum hinge pins offset**	-60 to 183 mm	Opening time to 90° without slow down area and max speed	10 to 34 s depending on the installation
Motor voltage	24 Vdc	io radio frequency	868 - 870 MHz
Maximum power consumption	40 W	Number of remote controls	
Lighting output	Halogen lighting 500 W maximum	One-way (Keygo io, ...)	38 channels maximum
Accessories power supply	24 Vdc / 1,200 mA	Two-way (Keytis io, ...)	Unlimited
		Index of protection	IP 44
		Operating temperature	-20°C to +60°C

### General overall size



### MATERIALS

- High quality materials offering IP44 protection

### SURFACE COATINGS

- No additional surface coatings

### CERTIFICATIONS

- Alumil 2 Year Guarantee

### Pack components



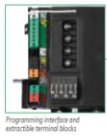
Comfort pack	• 2x	•	• 2x	•	•	•	-	•
Connexoon pack	• 2x	•	• 2x	•	•	•	•	•

### CODES & DESCRIPTIONS

<b>830.16.558.00</b>	<b>830.16.559.00</b>
<b>Somfy IXENGO L 3S Comfort pack 400Kg</b>	<b>Somfy IXENGO L 3S 24V Connexoon pack 400Kg</b>
Somfy Comfort pack μηχανισμός ανοιγόμενης αυλόπορτας 400Kg	Somfy IXENGO Connexoon pack 400Kg μηχανισμός ανοιγόμενης αυλόπορτας



## MOTOR KITS FOR OPENING YARD DOORS



Up to 6 m  
400 kg  
Individual housing  
Intensive use

### Most efficient motorization for standard installations

- Easy install**
- Start and Run in less than 90 s
  - Dedicated "Prog" button for transmitter programming
  - Dedicated "Set" button for settings
  - Extractable colored terminal blocks
  - No end-limits needed on the gate
  - Rotation direction reversing, without rewiring
- Easy prog & Easy diagnostic**
- QuickGo: setting tool
  - Serve-e-Go: remote maintenance and diagnostic tool
- Total control on motorization parameters for accurate, smooth and safe operation**
- Encoder technology
  - Adjustable speed, slow down area / soft stop area and obstacle detection sensitivity
- Extended lighting capability**
- Lighting output controlled separately with remote controls, TaHoma®, Connexoon
- Comprehensive comfort and security accessories compatibility**
- 2 wired control inputs: total and partial opening
  - Video door phone compatible
  - Photocells: compatible with standard 4 wires models, or Somfy 2 wires bus models
  - Orange light
  - Safety edge
- Connexoon Access: easy connected access equipment**
- Secure the entire home with a single click when leaving
  - Check anytime, anywhere, that the home is safe
  - Manage deliveries when away from home
  - Be welcomed home when coming back
- TaHoma®: advanced connected home**

Mains power supply	220-230 V - 50-60 Hz
Max standby consumption	≤ 5W
Traction force (Peak force)	380 N
Opening time to 3 m	15 s
Index of protection	IP 44
Operating temperature	-20° C to +60° C
io radio frequency	868-870 MHz
Number of memorisable channels	1 way 38 channels max 2 way unlimited



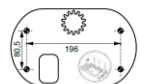
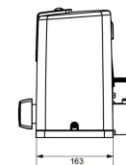
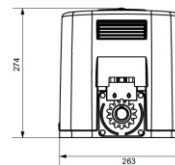
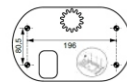
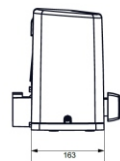
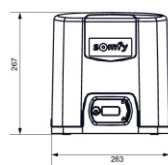
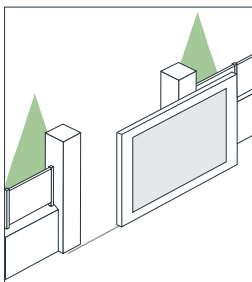
Up to 8 m\*  
500 kg  
Collective housing  
Intensive use

### 100% successful installation at first time

- Easy to install**
- Easy access to ground fixation screws from the top
- 3S electronics**
- Quick and safe installation
    - The installation complies with standards without any setting
    - Get started in 2 minutes
    - All setting are pre-programmed
  - Customized installation without hesitation
    - Intuitive ergonomics
      - Integrated communicative screen
    - Real-time display of each programming stage
    - Connection of multiple accessories
      - Extractable coloured terminal blocks to wire each accessory with no risk of mistake
- Easy maintenance**
- Real-time display of motor status
  - Opening and closing counter
- Reliability and durability**
- Mechanics and electronics based on years of experience within the Somfy group
  - Long lifetime with soft stop at the end of travel
- Convenient to use**
- Rapid: 15 s for an opening 3 m wide
  - Easy and secured declutching with individual key
- io homecontrol™ technology**
- Compatible with all equipment from the Somfy io range
  - Feedback from all two-way io remote controls
  - Remote operation and control with TaHoma® and Connexoon

Mains power supply	220-230 V - 50-60 Hz
Motor voltage	24 Vdc
Maximum power consumption	130 W
Lighting output	Halogen lighting 500 W maximum
Accessories power supply	24 Vdc / 1.2A
Opening time to 3 m	15 s
io radio frequency	868-870 MHz
Thrust force	500 N

### Application area



### MATERIALS

- High quality materials offering Ip44 protection

### SURFACE COATINGS

- No additional surface coatings

### CERTIFICATIONS

- Alumil 2 Year Guarantee

### Pack components



Smart io motor



Keygo io



Metal template



Backup battery



Orange light Master Pro



Photocells Master Pro






Connexoon 24V antenna io Bitech

Comfort pack	•	• 2x	•	•	•	•	-
Connexoon pack	• 1	• 1x	•	•	•	•	•

### CODES & DESCRIPTIONS

830.16.601.00	830.16.534.00	830.16.365.00	830.16.480.00
Somfy Elixo Smart IO Comfort pack 400Kg/6m	Somfy Elixo Smart IO Connexoon pack 400Kg/6m	Somfy Elixo Smart IO Comfort pack 500Kg/8m	Somfy Elixo Smart IO Connexoon pack 500Kg/8m
Somfy Elixo Smart Comfort pack ανοιγόμενος αυθόροπτος 400Kg/6m	Somfy Elixo Smart Connexoon pack ανοιγόμενος αυθόροπτος 400Kg/6m	Somfy Elixo Smart Comfort pack ανοιγόμενος αυθόροπτος 500Kg/8m	Somfy Elixo Smart Connexoon pack ανοιγόμενος αυθόροπτος 500Kg/8m

-  2-wire cable (230V)
-  2-wire cable (electrical lock circuit 24v)
-  2-wire cable (BUS)



Power Supply Large (9020028)



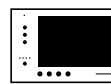
Power Supply of Electric Lock AC/DC  
230V/24VDC (435.24.240.00)

485.16.219.00  
or  
830.59.600.09



830.41.219.00

Monitor 1



830.20.027.00  
PS01



435.24.240.00

Electrical Board

24V



830.41.219.0  
External Module Premium 1 button



830.41.224.00  
Monitor  
Premium IO



830.20.020.00  
Flush support for 1 module



830.20.027.00  
Power Supply for Small System



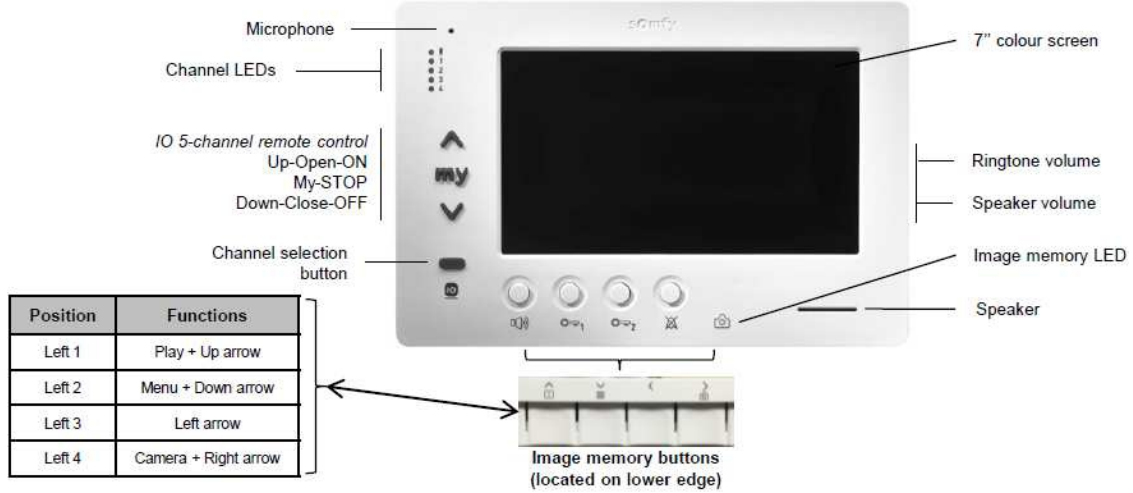
830.20.026.00  
Flush Rain Shield



830.75.067.00  
Set of 2 Badges

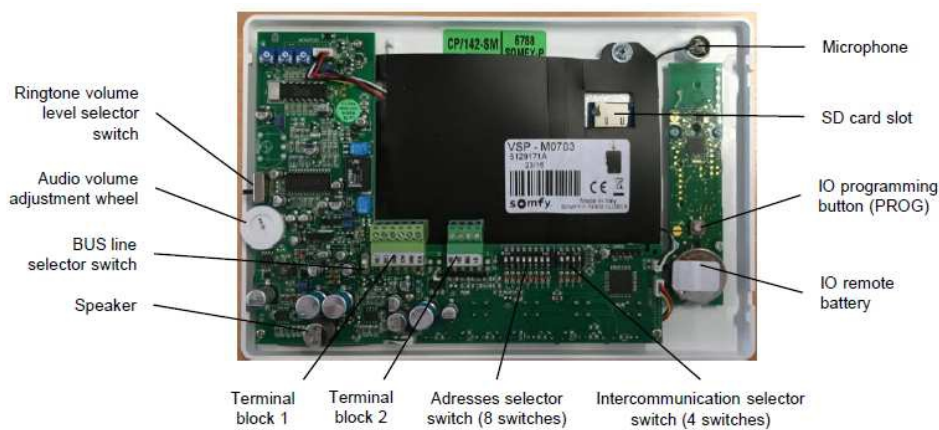


## VPRMIUM MONITOR IO



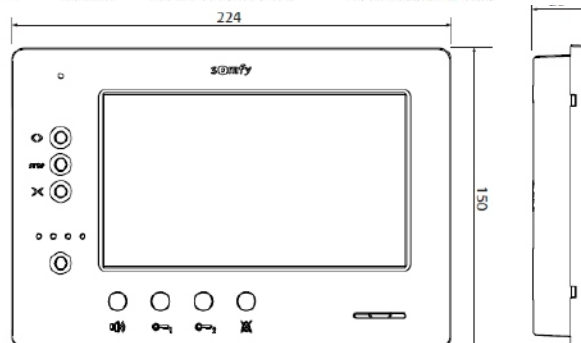
	Position	Functions		
		During stand-by	During a call	During a conversation
	Left 1	SP: Camera recall: visualization of the image (including audio) of selected call station (call station address selected by number of press) LP: Number of ring selection	Answer the call and start the conversation	SP: Ending the conversation
	Left 2	SP: Intercommunication call with other monitors if existing and configured* LP: Ring melody selection	Activation of the NO relay contact on call station	Activation of the NO relay contact on call station
	Left 3	1st relay module activation	1st relay module activation	1st relay module activation
	Left 4	SP: Privacy function (bell cancellation) activation/desactivation LP: Privacy duration selection by 15-min steps	Reject the call (without warning the visitor)	SP: Relay module activation. Number of press = relay address.

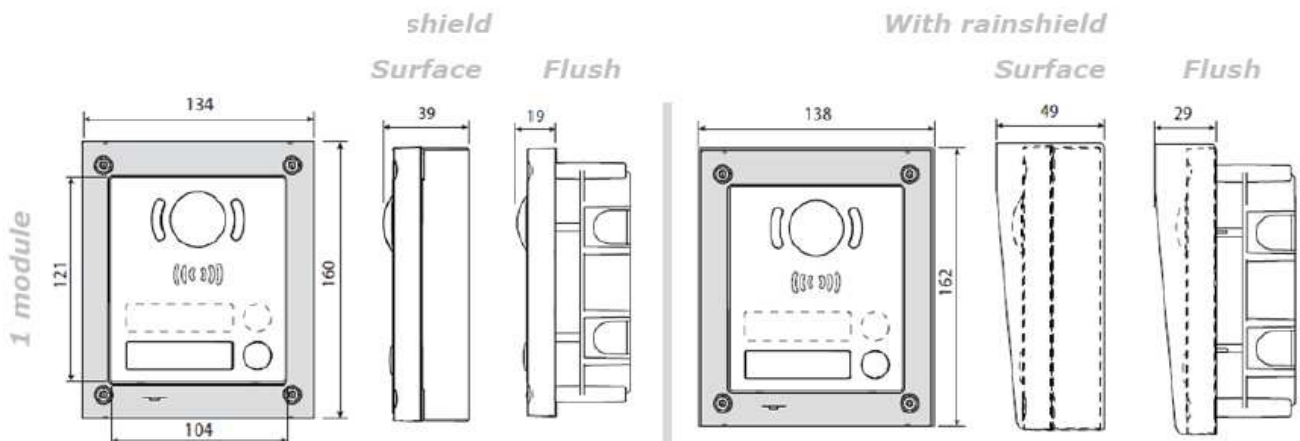
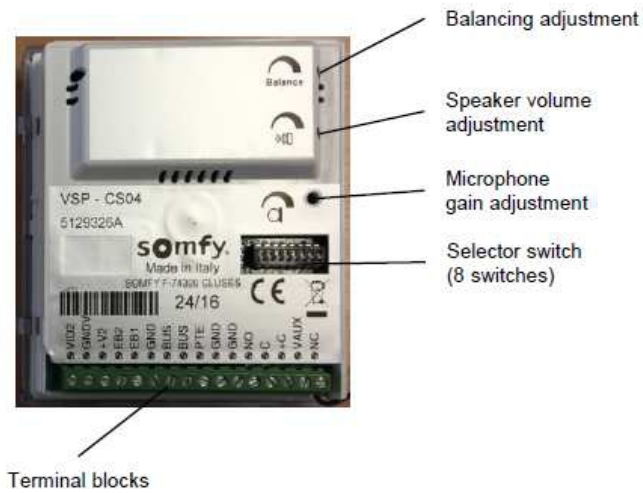
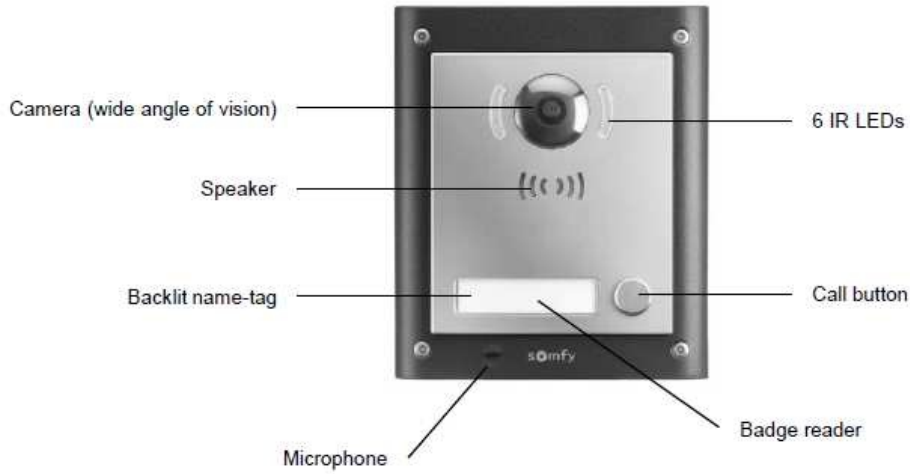
SP: short press / LP: long press / \*Intercom within the same accommodation or between 2 accommodations (according to configuration)



## MONITORS

Same dimensions for Origin RTS, Origin IO, and Premium IO monitors





1. Οι μέγιστες καλωδιακές αποστάσεις μεταξύ των περιφερειακών του συστήματος Somfy VDP Pro θα πρέπει να συμφωνούν με τον παρακάτω πίνακα, αναλόγως του τύπου καλωδίου που θα επιλεγεί στην εγκατάσταση

Cable	Section (mm <sup>2</sup> )	Max. distance between the external unit and the furthest monitor	Max. distance between the power supply and the furthest monitor
<b>VSYSTEM PRO</b>	0.50	250 m	100 m
CAT5 UTP/CW 1308	0.22	100 m	50 m
Phone cable	0.28	150 m	50 m
2 wires	0.50	70 m	30 m

2. Τα προτεινόμενα περιφερειακά παρέχουν στον ιδιοκτήτη τα παρακάτω πλεονεκτήματα:

Οθόνες 7" με ανάλυση 800x480 @ Wide angle camera (H161°-V101°) για την καλύτερη δυνατή μεταφορά εικόνας από το call station

“Do not disturb” (privacy mode) function σε κάθε οθόνη με χρονικό προγραμματισμό από 15min έως 8h

Ενσωματωμένο σύστημα ανάγνωσης badges για αυτόματο άνοιγμα των εισόδων χωρίς ανάγκη χρήσης κλειδιού

Αποθήκευση φωτογραφιών με το πάτημα από τον καθούντα (έως 100 φωτογραφίες @ επεκτάσιμος αριθμός με προσθήκη SD card)

Ενσωματωμένο χειριστήριο Somfy IO για χειρισμό ασύρματων προϊόντων από την οθόνη (π.χ. άνοιγμα ασύρματου μοτέρ αυλόπορτας ή φωτισμού στην κύρια είσοδο)

Live surveillance από εσωτερική οθόνη με εναλλαγή των καμερών με το πάτημα ενός πλήκτρου

Δυνατότητα εσωτερικών κλήσεων (intercom ) μεταξύ όλων των οθονών στην οικία

# STAINLESS STEEL FIXED DOOR HANDLES ALUMIL

## FUNCTION

Stainless steel fixed handles for entrance doors with Alumil logo

## TECHNICAL FEATURES

- 2 different designs of modern aesthetics
  - Flat 40x10mm
  - Tubular Ø30
- 5 different lengths from 400 to 1800mm
- Available in single or pair versions with stabilizing rosette for single handles or installation kit for pair ones
- Also available standard handles of length 26cm
  - “Minimal” handle
  - “Classic” handle

## MATERIALS

- AISI 304 stainless steel main body
- Stainless steel screws included in the package
- Stainless steel stabilizing rosettes included in the package

## SURFACE COATING

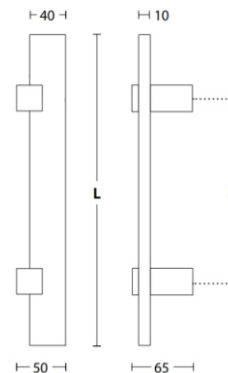
- Stainless steel finishing at all handles
- Mat chrome for Classic handle

## CERTIFICATION

- Alumil 5 Year Guarantee



Flat design



## MATERIALS

- AISI 304 stainless steel main body
- Stainless steel screws included in the package
- Stainless steel stabilizing rosettes included in the package

## SURFACE COATING

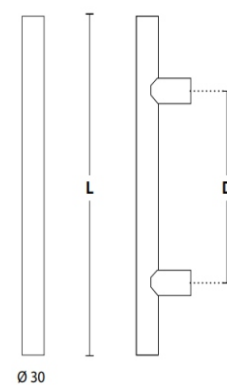
- Stainless steel finishing at all handles
- Mat chrome for Classic handle

## CERTIFICATION

- Alumil 5 Year Guarantee



Tubular design



## CODES & DESCRIPTIONS

- EX-4554910416 FIXED DOOR HANDLE ALUMIL FLAT INOX 400mm
- EX-4554910816 FIXED DOOR HANDLE ALUMIL FLAT INOX 800mm
- EX-4554911016 FIXED DOOR HANDLE ALUMIL FLAT INOX 1000mm
- EX-4554911416 FIXED DOOR HANDLE ALUMIL FLAT INOX 1400mm
- EX-4554911816 FIXED DOOR HANDLE ALUMIL FLAT INOX 1800mm
- EX-4552710416 FIXED DOOR HANDLE ALUMIL TUBULAR INOX 400mm
- EX-4552711016 FIXED DOOR HANDLE ALUMIL TUBULAR INOX 1000mm
- EX-4552710816 FIXED DOOR HANDLE ALUMIL TUBULAR INOX 800mm
- EX-4552711416 FIXED DOOR HANDLE ALUMIL TUBULAR INOX 1400mm
- EX-4552711816 FIXED DOOR HANDLE ALUMIL TUBULAR INOX 1800mm
- EX-4552730416 FIXED DOOR HANDLE ALUMIL TUBULAR INOX 400mm 45DEG
- EX-4552730816 FIXED DOOR HANDLE ALUMIL TUBULAR INOX 800mm 45DEG
- EX-4552731016 FIXED DOOR HANDLE ALUMIL TUBULAR INOX 1000mm 45DEG
- EX-4552731416 FIXED DOOR HANDLE ALUMIL TUBULAR INOX 1400mm 45DEG
- EX-4552731816 FIXED DOOR HANDLE ALUMIL TUBULAR INOX 1800mm 45DEG

- EX-4554920416 PAIR OF FIXED DOOR HANDLES ALUMIL FLAT INOX 400mm
- EX-4554920816 PAIR OF FIXED DOOR HANDLES ALUMIL FLAT INOX 800mm
- EX-4554921016 PAIR OF FIXED DOOR HANDLES ALUMIL FLAT INOX 1000mm
- EX-4554921416 PAIR OF FIXED DOOR HANDLES ALUMIL FLAT INOX 1400mm
- EX-4554921816 PAIR OF FIXED DOOR HANDLES ALUMIL FLAT INOX 1800mm
- EX-4552720416 PAIR OF FIXED DOOR HANDLES ALUMIL TUBULAR INOX 400mm
- EX-4552720816 PAIR OF FIXED DOOR HANDLES ALUMIL TUBULAR INOX 800mm
- EX-4552721016 PAIR OF FIXED DOOR HANDLES ALUMIL TUBULAR INOX 1000mm
- EX-4552721416 PAIR OF FIXED DOOR HANDLES ALUMIL TUBULAR INOX 1400mm
- EX-4552721816 PAIR OF FIXED DOOR HANDLES ALUMIL TUBULAR INOX 1800mm
- EX-4552740416 PAIR OF FIXED DOOR HANDLES ALUMIL TUBULAR INOX 400mm 45DEG
- EX-4552740816 PAIR OF FIXED DOOR HANDLES ALUMIL TUBULAR INOX 800mm 45DEG
- EX-4552741816 PAIR OF FIXED DOOR HANDLES ALUMIL TUBULAR INOX 1000mm 45DEG
- EX-4552741416 PAIR OF FIXED DOOR HANDLES ALUMIL TUBULAR INOX 1400mm 45DEG
- EX-4552741816 PAIR OF FIXED DOOR HANDLES ALUMIL TUBULAR INOX 1800mm 45DEG



## ALUMIL SEALANTS

### FUNCTION

Top quality materials for complete fabrication, installation and maintenance of Alumil Systems

### TECHNICAL FEATURES

- According to the application, the correct product should always be used in order to achieve high quality and long-lasting results
- All products have to be used during their shelf-life to achieve proper results
- Acrylic putty** to be used for interior applications. Application in extreme temperatures may effect the setting time and overall appearance (cracking). Can be painted
- Acetic silicone** is appropriate for gluing and sealing. While setting a 5% volume shrinkage will occur. It should always be applied on clean and dry surfaces. Cannot be painted
- Neutral silicone** is ideal for aluminium construction. No smell allows indoor applications, excellent gluing and sealing properties without shrinkage while setting. Cannot be painted
- Hybrid joint sealant** is a hybrid between acrylic putty and silicone. It is ideal for aluminum systems as it offers excellent bonding and elasticity. It does not shrink when setting. It may be used for gaps between wall and window as well as 45° cut sealing. It slightly expands for a perfect seal. Can be painted



### MATERIALS

- Full material analysis upon request

### SURFACE COATING

- Special colors upon request with MOQs

### CERTIFICATION

- Please consider the due date
- Alumil 5 Year Guarantee

## CODES & DESCRIPTIONS

## SHELF LIFE (MONTHS)

EX-7707130602	HYBRID JOINT SEALANT ALUMIL 280ML \WHITE12	12
EX-7707130604	HYBRID JOINT SEALANT 280ML GREY12	12
EX-7707130606	HYBRID JOINT SEALANT 280ML BROWN12	12
EX-7700200105	SILICONE NEUTRAL CARTRIDGE 280ml CLEAR12	12
EX-7700056902	SILICONE NEUTRAL CARTRIDGE 280ml WHITE12	12
EX-7701120004	SILICONE NEUTRAL CARTRIDGE 280ml GREY12	12
EX-7701120006	SILICONE NEUTRAL CARTRIDGE 280ml BROWN12	12
EX-7707111400	SILICONE ACETIC NON FUGAL CARTRIDGE 280ml ALUMIL CLEAR12	12
EX-7707111402	SILICONE ACETIC NON FUGAL CARTRIDGE 280ml ALUMIL WHITE12	12
EX-7700000204	SILICONE ACETIC NON FUGAL CARTRIDGE 280ml ALUMIL GREY12	12
EX-7700000006	SILICONE ACETIC NON FUGAL CARTRIDGE 280ml ALUMIL BROWN12	12
EX-7707121102	ACRYLIC SEALANT PUTTY CARTRIDGE 280ml ALUMIL WHITE18	18
EX-7707121202	ACRYLIC SEALANT PUTTY SAUSAGE 600ml WHITE18	18



## ΣΤΕΓΑΝΩΤΙΚΑ ALUMIL

### ΛΕΙΤΟΥΡΓΙΑ

Υλικά κορυφαίας ποιότητας για ολοκληρωμένη κατασκευή και εγκατάσταση των συστημάτων Alumil

### ΤΕΧΝΙΚΑ ΧΑΡΑΚΤΗΡΙΣΤΙΚΑ

- Η επιλογή του προϊόντος πρέπει να συνάδει με την εφαρμογή για την επίτευξη αποτελεσμάτων υψηλής ποιότητας και αντοχής στο χρόνο
- Όλα τα προϊόντα πρέπει να χρησιμοποιούνται εντός της χρονικής διάρκειας ζωής τους ώστε να επιτύχουν το επιθυμητό αποτέλεσμα
- **Ακρυλικός στόκος:** για εφαρμογές εσωτερικής χρήσης. Εφαρμογή σε ακραίες θερμοκρασίες ενδέχεται να επηρεάσει τον χρόνο σύσφιξης και την εμφάνισή του (ρωγμές). Βάφεται
- **Όξινη σιλικόνη:** είναι ιδανική για μη πορώδη υλικά όπως το γυαλί και το πλακάκι. Κατάλληλο για χρήσεις κόλλησης και μόνωσης. Κατά την εφαρμογή θα προκύψει μια μείωση όγκου κατά 5%. Πάντα πρέπει να εφαρμόζεται σε καθαρές και ξηρές επιφάνειες. Δεν βάφεται
- **Ουδέτερη σιλικόνη:** είναι ιδανική για κατασκευές αλουμινίου. Η έλλειψη οσμής επιτρέπει εφαρμογές εσωτερικού χώρου. Άριστες κολλητικές και μονωτικές ιδιότητες χωρίς συρρίκνωση κατά τη χρήση. Δεν βάφεται
- **Υβριδικό σφραγιστικό:** αποτελεί υβρίδιο ανάμεσα στον ακρυλικό στόκο και τη σιλικόνη. Είναι ιδανικό για συστήματα αλουμινίου καθώς προσφέρει άριστη κόλληση και ελαστικότητα. Δεν συρρικνώνεται κατά την εφαρμογή. Μπορεί να χρησιμοποιηθεί στα κενά ανάμεσα στον τοίχο και το παράθυρο, καθώς και στις γωνίες 45 μοιρών. Εκτονώνεται ελαφρώς παρέχοντας τέλεια μόνωση. Βάφεται



#### ΥΛΙΚΑ

- Κατόπιν ζήτησης

#### ΧΡΩΜΑ

- Ειδικά χρώματα κατόπιν ζήτησης

#### ΠΙΣΤΟΠΟΙΗΤΙΚΑ

- Παρακαλώ εξετάστε την ημερομηνία λήξης
- 5 χρόνια εγγύηση Alumil

### CODES & DESCRIPTIONS

### SHELF LIFE (MONTHS)

EX-7707130602 HYBRID JOINT SEALANT ALUMIL 280ML \WHITE12	12
EX-7707130604 HYBRID JOINT SEALANT 280ML GREY12	12
EX-7707130606 HYBRID JOINT SEALANT 280ML BROWN12	12
EX-7700200105 SILICONE NEUTRAL CARTRIDGE 280ml CLEAR12	12
EX-7700056902 SILICONE NEUTRAL CARTRIDGE 280ml WHITE12	12
EX-7701120004 SILICONE NEUTRAL CARTRIDGE 280ml GREY12	12
EX-7701120006 SILICONE NEUTRAL CARTRIDGE 280ml BROWN12	12
EX-7707111400 SILICONE ACETIC NON FUGAL CARTRIDGE 280ml ALUMIL CLEAR12	12
EX-7707111402 SILICONE ACETIC NON FUGAL CARTRIDGE 280ml ALUMIL WHITE12	12
EX-7700000204 SILICONE ACETIC NON FUGAL CARTRIDGE 280ml ALUMIL GREY12	12
EX-7700000006 SILICONE ACETIC NON FUGAL CARTRIDGE 280ml ALUMIL BROWN12	12
EX-7707121102 ACRYLIC SEALANT PUTTY CARTRIDGE 280ml ALUMIL WHITE18	18
EX-7707121202 ACRYLIC SEALANT PUTTY SAUSAGE 600ml WHITE18	18



## ALUMIL ADHESIVES



### FUNCTION

Top quality materials for complete fabrication, installation and maintenance of Alumil Systems

### TECHNICAL FEATURES

- According to the application, the correct product should always be used in order to achieve high quality and long-lasting results
- All products have to be used during their shelf-life to achieve proper results
- **PU foam** offers good insulation and stability between the structures. Mechanical fixing should always be used, as expanding foam may interfere with the leveling of the frame. PU foam cleaning spray is available
- The **Alumil cleaning agent** is formulated in order not to corrode aluminum paint and anodizing. It may be used for joint sealant, silicone, acrylic putty and glue residues as well as cutting oils and pen markings
- **Crimp corner glue** is PU based and sets with humidity. Corners should always be sprayed with a mist of water to help the glue set. It expands slightly when setting. Corner crimp glue can also be used in other applications since it offers excellent bonding strength with limited elasticity
- All 280ml cartridges are used with standard caulking guns
- **Two component adhesive-silicone** for fast setting for demanding applications. Allows quick transportation of the sashes as it drastically decreases setting time
- **Cyanoacrylic adhesive:** offers quick adhesion due to polymerism. Ideal for gaskets, plastics, glasses and metallic parts
- **Brugal:** Spray for covering aluminum surfaces in order to enhance the anticorrosion properties. Especially used at painted or anodized profiles after performing cuttings or millings
- **Silicon spray:** The solution for lubrication and maintenance of plastic parts or mechanism moving parts

### MATERIALS

- Full material analysis upon request

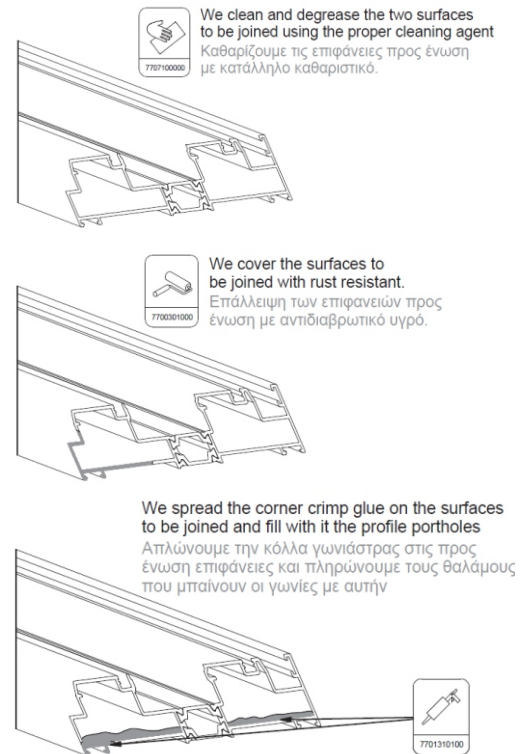
### SURFACE COATING

- Special colors upon request with MOQs

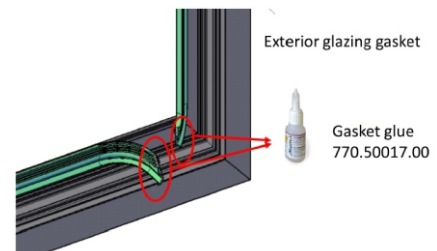
### CERTIFICATION

- Please consider the due date
- Alumil 5 Year Guarantee

### Example of using Alumil adhesives during corner joint



### Example of using cyanoacrylic adhesive for gaskets



### CODES & DESCRIPTIONS

EX-7701310100	CORNER CRIMP GLUE ALUMIL CARTRIDGE 310ml	12
EX-7701310300	CORNER CRIMP GLUE ALUMIL CARTRIDGE 1000ml	12
EX-7705001700	CYANOACRYLIC FAST SETTING ADHESIVE ALUMIL 20ml	9
INT-7700939900	2 COMPONENT FAST SETTING ADHESIVE SILICONE CARTRIDGE 400ml	9
EX-7700045000	PRIMER FOR TWO COMPONENT FAST SETTING ADHESIVE 1L	12
EX-7700000200	MANUAL SILICON GUN 2 PART x 0,2L WITH MIXING RATIO 1:1	-
EX-7700001200	PNEUMATIC SILICON GUN 2 PART x 0,2L WITH MIXING RATIO 1:1	-
EX-7700000100	LOW EXPANSION PU FOAM ALUMIL 750ml	12
EX-7707100001	CLEANING SRAY FOR PU FOAM 500ml	120 (10 years)
EX-7707100000	ALU CLEANER ALUMIL 1L	-
EX-7700301000	BRUGAL ALUMINIUM RUST RESISTANT PROTECTOR SPRAY 400ml	24
EX-7700000500	QUANTUM SILICONE SPRAY FOR LUBRICATION 400ml	12

### SHELF LIFE (MONTHS)

## ΚΟΛΛΕΣ ALUMIL



### ΛΕΙΤΟΥΡΓΙΑ

Υλικά κορυφαίας ποιότητας για ολοκληρωμένη κατασκευή και εγκατάσταση των συστημάτων Alumil

### ΤΕΧΝΙΚΑ ΧΑΡΑΚΤΗΡΙΣΤΙΚΑ

- Η επιλογή του προϊόντος πρέπει να συνάδει με την εφαρμογή για την επίτευξη αποτελεσμάτων υψηλής ποιότητας και αντοχής στο χρόνο
- Όλα τα προϊόντα πρέπει να χρησιμοποιούνται εντός της χρονικής διάρκειας ζωής τους ώστε να επιτύχουν το επιθυμητό αποτέλεσμα
- **Καθαριστικό αλουμινίου Alumil:** είναι σχεδιασμένο έτσι ώστε να μην διαβρώνει τη βαφή και ανοδίωση του αλουμινίου. Μπορεί να χρησιμοποιηθεί για το μονωτικό πολυουρεθάνης, τη σιλικόνη, τον ακρυλικό στόκο και υπολείμματα κόλλας καθώς και για λάδια και σημάδια γραφής
- **Κόλλα γωνιάστρας:** πολυουρεθανικής βάσης, συσφίγγει με την υγρασία. Οι γωνίες πρέπει πάντα να ψεκάζονται με νερό για την ευκολότερη σύσφιξη της κόλλας. Εκτονώνεται ελαφρώς κατά την διαδικασία σύσφιξης. Η κόλλα γωνιάστρας μπορεί να χρησιμοποιηθεί και σε άλλες εφαρμογές καθώς προσφέρει άριστο δέσιμο με περιορισμένη ελαστικότητα
- **Κόλλα 2 συστατικών:** εποξική κόλλα σιλικόνης για ταχεία πήξη για εφαρμογές υψηλών απαιτήσεων (π.χ. τζάμι με αλουμίνιο). Επιτρέπει την άμεση μεταφορά των κουφωμάτων χωρίς να απαιτεί υψηλούς χρόνους στεγνώματος
- **Κυανοακρυλική κόλλα:** προσφέρει ταχεία κόλληση μέσω πολυμερισμού. Ιδανική για κόλληση λάστιχων, πλαστικών, γυαλιού και μετάλλων
- **Brugal:** Σπρέι επίστρωσης επιφανειών αλουμινίου για απόδοση υψηλής αντιδιαβρωτικής ικανότητας. Ιδιαίτερη ανάγκη χρήσης σε κοπές σε προφίλ που έχουν ήδη βαφεί ηλεκτροστατικά ή ανοδιωθεί
- **Σπρέι σιλικόνης:** Η λύση για την λίπανση και συντήρηση κινητών μερών, πλαστικών κ.α.

### ΥΛΙΚΑ

- Κατόπιν ζήτησης

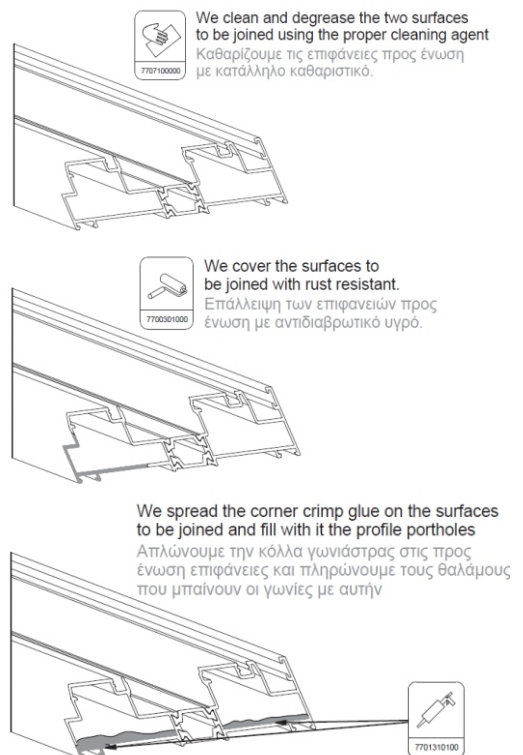
### ΧΡΩΜΑ

- Ειδικά χρώματα κατόπιν ζήτησης

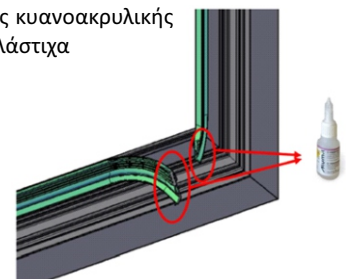
### ΠΙΣΤΟΠΟΙΗΤΙΚΑ

- Παρακαλώ εξετάστε την ημερομηνία λήξης
- 5 χρόνια εγγύηση Alumil

### Παράδειγμα χρήσης χημικών Alumil στο γώνιασμα



### Παράδειγμα χρήσης κυανοακρυλικής κόλλας Alumil στα λάστιχα



ΚΩΔΙΚΟΙ & ΠΕΡΙΓΡΑΦΕΣ		SHELF LIFE (ΜΗΝΕΣ)
EX-7701310100	ΚΟΛΛΑ ΓΩΝΙΑΣΤΡΑΣ ALUMIL ΦΥΣΙΓΓΑ 310ml	12
EX-7701310300	ΚΟΛΛΑ ΓΩΝΙΑΣΤΡΑΣ ALUMIL ΦΥΣΙΓΓΑ 1000ml	12
EX-7705001700	ΚΥΑΝΟΑΚΡΥΛΙΚΗ ΣΤΙΓΜΙΑΙΑ ΚΟΛΛΑ ALUMIL 20ml	9
INT-7700939900	ΚΟΛΛΑ ΣΙΛΙΚΟΝΗ ΔΥΟ ΣΥΣΤΑΤΙΚΩΝ ΤΑΧΕΙΑΣ ΚΟΛΛΗΣΗΣ ΦΥΣΙΓΓΑ 400ml	9
EX-7700045000	PRIMER ΚΟΛΛΑΣ ΔΥΟ ΣΥΣΤΑΤΙΚΩΝ ΤΑΧΕΙΑΣ ΚΟΛΛΗΣΗΣ 1L	12
EX-7700000200	ΠΙΣΤΟΛΙ ΧΕΙΡΟΣ ΣΙΛΙΚΟΝΗΣ 2 ΦΥΣΙΓΓΩΝ x 0,2L ΜΕ ΑΝΑΛΟΓΙΑ ΜΙΞΗΣ 1:1	-
EX-7700001200	ΠΙΣΤΟΛΙ ΑΕΡΟΣ ΣΙΛΙΚΟΝΗΣ 2 ΦΥΣΙΓΓΩΝ x 0,2L ΜΕ ΑΝΑΛΟΓΙΑ ΜΙΞΗΣ 1:1	-
EX-7700000100	ΑΦΡΟΣ ΠΟΛΥΟΥΡΕΘΑΝΗΣ ΧΑΜΗΛΗΣ ΔΙΟΓΚΩΣΗΣ ALUMIL 750ml	12
EX-7707100001	ΚΑΘΑΡΙΣΤΙΚΟ ΑΦΡΟΥ ΠΟΛΥΟΥΡΕΘΑΝΗΣ ΣΠΡΕΥ 500 ml	120 (10 χρόνια)
EX-7707100000	ΚΑΘΑΡΙΣΤΙΚΟ ΑΛΟΥΜΙΝΙΟΥ ALUMIL 1L	-
EX-7700301000	ΣΠΡΕΙ BRUGAL ΓΙΑ ΑΝΤΙΔΙΑΒΡ. ΠΡΟΣΤΑΣΙΑ ΑΛΟΥΜΙΝΙΟΥ 400ml	24
EX-7700000500	ΣΠΡΕΙ ΣΙΛΙΚΟΝΗΣ ΓΙΑ ΛΙΠΑΝΣΗ & ΑΔΙΑΒΡΟΧΟΠΟΙΗΣΗ 400ml	12



**FUNCTION**

Screws for certified fabrication of Alumil systems

**TECHNICAL FEATURES**

- Philips (Standard Cross) Head on all screws
- All Alumil systems are certified with Alumil screws
- A2 stainless screws do not contaminate the aluminium and are highly resistant to corrosions
- Galvanized screws are stronger and more elastic
- Self drilling screws allow for faster application, but only single layered fixing is possible
- Tapping screws require pre-drilling

**MATERIALS**

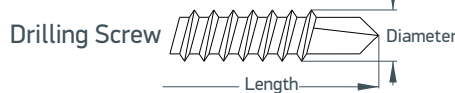
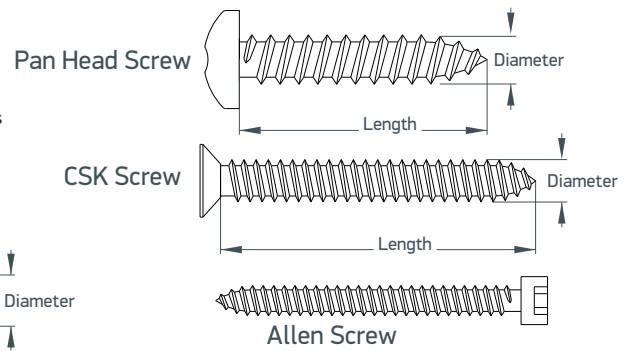
- A2 Stainless steel (AISI 304)
- Standard steel cold dipped galvanized

**SURFACE COATING**

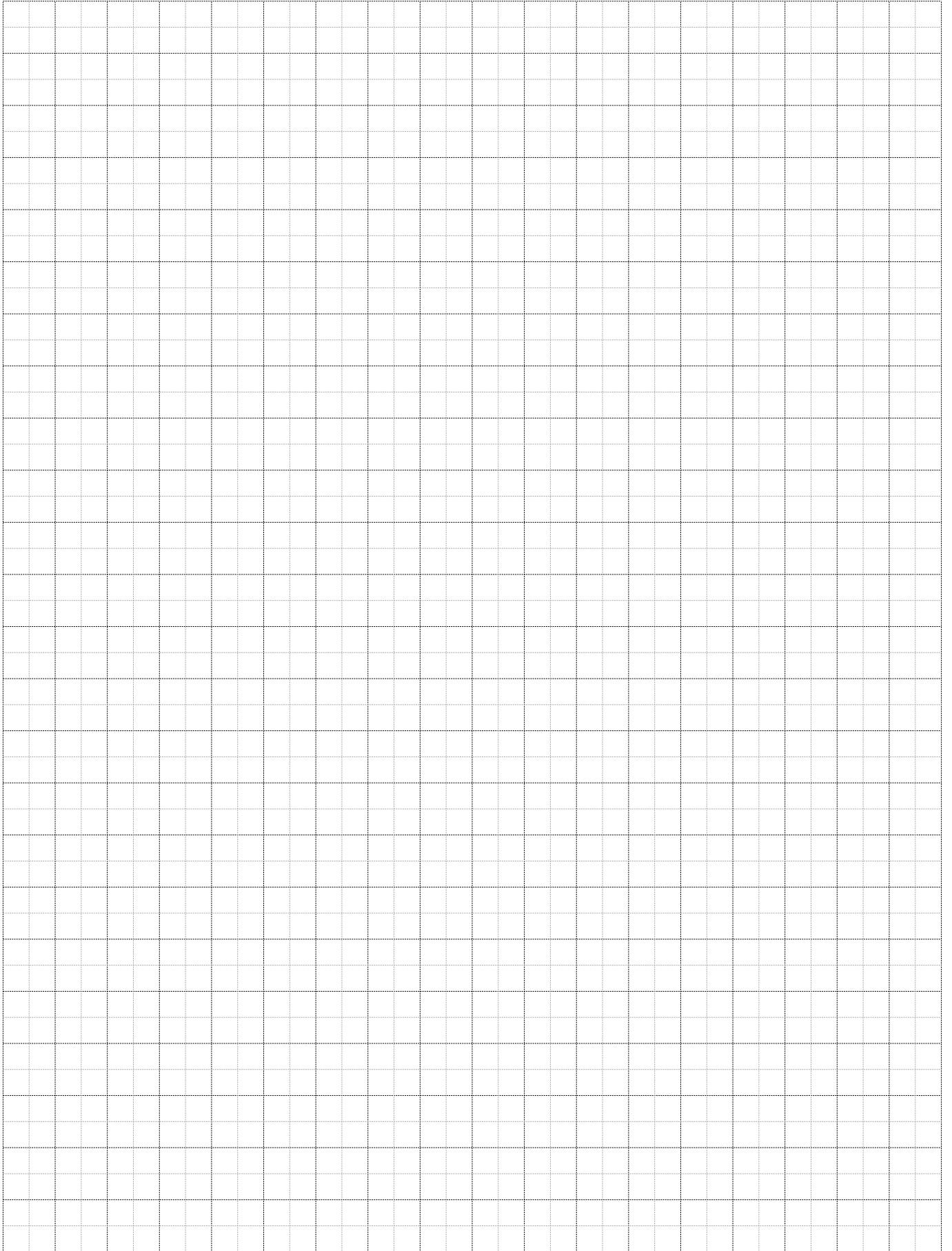
- No additional surface coating

**CERTIFICATION**

- DIN / ISO Certified
- Alumil 5 Year Guarantee



EX-7622913000	CSK A2 2,9x13 PH	EX-7982123913	PAN A2 3,9X13 PH	EX-7983223513	CSK GALV 3,5X13 PH	EX-7984123913	PAN GALV 3,9X13 PH
EX-7622919000	CSK A2 2,9x19 PH	EX-7982123919	PAN A2 3,9X19 PH	EX-7983223913	CSK GALV 3,9X13 PH	EX-7984123919	PAN GALV 3,9X19 PH
EX-7981222925	CSK A2 2,9x25 PH	EX-7982123925	PAN A2 3,9X25 PH	EX-7983223919	CSK GALV 3,9X19 PH	EX-7984123925	PAN GALV 3,9X25 PH
EX-7981223525	CSK A2 3,5x25 PH	EX-7982124295	PAN A2 4,2X9,5 PH	EX-7983223925	CSK GALV 3,9X25 PH	EX-7984124295	PAN GALV 4,2X9,5 PH
EX-7981223532	CSK A2 3,5x32 PH	EX-7982124213	PAN A2 4,2X13 PH	EX-7983224295	CSK GALV 4,2X9,5 PH	EX-7984124213	PAN GALV 4,2X13 PH
EX-7981223913	CSK A2 3,9X13 PH	EX-7982124219	PAN A2 4,2X19 PH	EX-7983224213	CSK GALV 4,2X13 PH	EX-7984124219	PAN GALV 4,2X19 PH
EX-7981223919	CSK A2 3,9X19 PH	EX-7982124225	PAN A2 4,2X25 PH	EX-7983224219	CSK GALV 4,2X19 PH	EX-7984124225	PAN GALV 4,2X25 PH
EX-7981223925	CSK A2 3,9X25 PH	EX-7982124232	PAN A2 4,2X32 PH	EX-7983224225	CSK GALV 4,2X25 PH	EX-7984124232	PAN GALV 4,2X32 PH
EX-7981224295	CSK A2 4,2X9,5 PH	EX-7982124238	PAN A2 4,2X38 PH	EX-7983224232	CSK GALV 4,2X32 PH	EX-7984124238	PAN GALV 4,2X38 PH
EX-7981224213	CSK A2 4,2X13 PH	EX-7982124250	PAN A2 4,2X50 PH	EX-7983224238	CSK GALV 4,2X38 PH	EX-7984124250	PAN GALV 4,2X50 PH
EX-7981224219	CSK A2 4,2X19 PH	EX-7982124813	PAN A2 4,8X13 PH	EX-7983224250	CSK GALV 4,2X50 PH	EX-7984124813	PAN GALV 4,8X13 PH
EX-7981224225	CSK A2 4,2X25 PH	EX-7982124819	PAN A2 4,8X19 PH	EX-7983224813	CSK GALV 4,8X13 PH	EX-7984124819	PAN GALV 4,8X19 PH
EX-7981224232	CSK A2 4,2X32 PH	EX-7982124825	PAN A2 4,8X25 PH	EX-7983224819	CSK GALV 4,8X19 PH	EX-7984124825	PAN GALV 4,8X25 PH
EX-7981224238	CSK A2 4,2X38 PH	EX-7982124832	PAN A2 4,8X32 PH	EX-7983224825	CSK GALV 4,8X25 PH	EX-7984124832	PAN GALV 4,8X32 PH
EX-7981224250	CSK A2 4,2X50 PH	EX-7982124838	PAN A2 4,8X38 PH	EX-7983224832	CSK GALV 4,8X32 PH	EX-7984124838	PAN GALV 4,8X38 PH
EX-7981224813	CSK A2 4,8X13 PH	EX-7982124850	PAN A2 4,8X50 PH	EX-7983224838	CSK GALV 4,8X38 PH	EX-7984124850	PAN GALV 4,8X50 PH
EX-7981224816	CSK A2 4,8X16 PH	EX-7982124860	PAN A2 4,8X60 PH	EX-7983224850	CSK GALV 4,8X50 PH	EX-7984124860	PAN GALV 4,8X60 PH
EX-7981224819	CSK A2 4,8X19 PH	EX-7982124870	PAN A2 4,8X70 PH	EX-7983224860	CSK GALV 4,8X60 PH	EX-7984125519	PAN GALV 5,5X19 PH
EX-7981224825	CSK A2 4,8X25 PH	EX-7982125513	PAN A2 5,5X13 PH	EX-7983225519	CSK GALV 5,5X19 PH	EX-7984125525	PAN GALV 5,5X25 PH
EX-7981224832	CSK A2 4,8X32 PH	EX-7982125519	PAN A2 5,5X19 PH	EX-7983225525	CSK GALV 5,5X25 PH	EX-7984125532	PAN GALV 5,5X32 PH
EX-7981224838	CSK A2 4,8X38 PH	EX-7982125525	PAN A2 5,5X25 PH	EX-7983225532	CSK GALV 5,5X32 PH	EX-7984125538	PAN GALV 5,5X38 PH
EX-7981224850	CSK A2 4,8X50 PH	EX-7982125532	PAN A2 5,5X32 PH	EX-7983225538	CSK GALV 5,5X38 PH	EX-7984125550	PAN GALV 5,5X50 PH
EX-7981224860	CSK A2 4,8X60 PH	EX-7982125538	PAN A2 5,5X38 PH	EX-7983225550	CSK GALV 5,5X50 PH	EX-7984125575	PAN GALV 5,5X75 PH
EX-7981224870	CSK A2 4,8X70 PH	EX-7982125550	PAN A2 5,5X50 PH	EX-7983225575	CSK GALV 5,5X75 PH	EX-7984126319	PAN GALV 6,3X19 PH
EX-7981225519	CSK A2 5,5X19 PH	EX-7982125560	PAN A2 5,5X60 PH	EX-7983226319	CSK GALV 6,3X19 PH	EX-7984126332	PAN GALV 6,3X32 PH
EX-7981225525	CSK A2 5,5X25 PH	EX-7982125570	PAN A2 5,5X70 PH	EX-7983226332	CSK GALV 6,3X32 PH	EX-7984126350	PAN GALV 6,3X50 PH
EX-7981225532	CSK A2 5,5X32 PH	EX-7982125580	PAN A2 5,5X80 PH	EX-7983226350	CSK GALV 6,3X50 PH	EX-7984126375	PAN GALV 6,3X75 PH
EX-7981225538	CSK A2 5,5X38 PH	EX-7982126350	PAN A2 6,3X50 PH	EX-7983226375	CSK GALV 6,3X75 PH		
EX-7981225550	CSK A2 5,5X50 PH	EX-7629651901	ALLEN 5,5X19 A2	EX-7985223919	CSK DR GALV 3,9X19 PH	EX-7986124219	PAN DR GALV 4,2X19 PH
EX-7981225560	CSK A2 5,5X60 PH	EX-7629652501	ALLEN 5,5X25 A2	EX-7985223925	CSK DR GALV 3,9X25 PH	EX-7986224225	PAN DR GALV 4,2X25 PH
EX-7981225570	CSK A2 5,5X70 PH	EX-7629653001	ALLEN 5,5X30 A2	EX-7985223932	CSK DR GALV 3,9X32 PH	EX-7986224232	PAN DR GALV 4,2X32 PH
EX-7981225580	CSK A2 5,5X80 PH	EX-7629653501	ALLEN 5,5X35 A2	EX-7620481200	CSK DR GALV 4,2X13 PH	EX-7986124819	PAN DR GALV 4,8X19 PH
EX-7981226319	CSK A2 6,3X19 PH	EX-7629653801	ALLEN 5,5X38 A2	EX-7985224219	CSK DR GALV 4,2X19 PH	EX-7986224825	PAN DR GALV 4,8X25 PH
EX-7981226350	CSK A2 6,3X50 PH	EX-7629654001	ALLEN 5,5X40 A2	EX-7985224225	CSK DR GALV 4,2X25 PH	EX-7986224832	PAN DR GALV 4,8X32 PH
		EX-7629654501	ALLEN 5,5X45 A2	EX-7985224232	CSK DR GALV 4,2X32 PH	EX-7986225525	PAN DR GALV 5,5X25 PH
		EX-7629655001	ALLEN 5,5X50 A2	EX-7985224819	CSK DR GALV 4,8X19 PH		
		EX-7629655501	ALLEN 5,5X55 A2	EX-7985224825	CSK DR GALV 4,8X25 PH		
		EX-7629656001	ALLEN 5,5X60 A2	EX-7985224832	CSK DR GALV 4,8X32 PH		
		EX-7629656501	ALLEN 5,5X65 A2	EX-7985225525	CSK DR GALV 5,5X25 PH		
		EX-7629657001	ALLEN 5,5X70 A2				
		EX-7629638001	ALLEN 6,3X80 A2				



A decorative graphic on the left side of the page, consisting of several overlapping diagonal stripes in shades of yellow and orange, extending from the top left towards the bottom right.

# General Information Γενικές Πληροφορίες

## Γενικές Πληροφορίες

### 1. Το αλουμίνιο ως δομικό υλικό

Με την μέθοδο της διέλασης το αλουμίνιο έχει την δυνατότητα να δημιουργεί πολυπλοκές διατομές με ανοχές ακριβείας. Το αλουμίνιο μπορεί να μορφοποιηθεί σε πραγματικά απεριόριστο αριθμό μοναδικών προφίλ, καθένα από τα οποία ικανοποιεί ειδικές δομικές και αισθητικές απαιτήσεις. Αυτή η ικανότητα του υλικού να προσφέρει απείριτες και καλίσθητες λύσεις σε ιδιαίτερα πολυπλοκά σχεδιαστικά προβλήματα το οδήγησε στην ηγετική θέση που κατέχει σήμερα. Το αλουμίνιο επιλέγεται για το εξωτερικό των κτιρίων γιατί είναι σταθερό, ανθεκτικό στη διάβρωση και ελαφρύ μέταλλο. Μια από τις πιο δελεαστικές ιδιότητες του αλουμινίου για τον μηχανικό, είναι ο καταπληκτικός λόγος αντίστασης/βάρους. Στα 2,7 gr/cm<sup>2</sup>, το αλουμίνιο είναι 66% πιο ελαφρύ από τον χάλυβα. Επίσης είναι ανθεκτικό σε φθορά θραύση. Όταν γίνεται σύγκριση μεταξύ κατασκευών αλουμινίου και κατασκευών χάλυβα, ο μεγαλύτερος συντελεστής ελαστικότητας του αλουμινίου σημαίνει ότι ο λόγος βάρους 1:2 επιτυγχάνεται εύκολα. Ακόμη, μπορεί να κατεργαστεί με υψηλές ταχύτητες κοπής και οι συγκολλητές συνδέσεις δεν είναι απαραίτητες. Αυτά τα πλεονεκτήματα συμβάλλουν στην μείωση των χρόνων κατασκευής. Τα προφίλ που συνθέτουν τα συστήματα της Alumil είναι από κράμα EN AW 6060 σύμφωνα με το εναρμονισμένο πρότυπο (EN) 755.1. Τα μηχανικά χαρακτηριστικά συμμορφώνονται με το πρότυπο EN 755.2, με συντελεστή ελαστικότητας 70kN/mm<sup>2</sup>. Οι ανοχές βασίζονται στο EN 755.3.

### 2. Επαφή με άλλα υλικά

#### 2.1 Μέταλλα

Όταν δύο μέταλλα με διαφορετική ηλεκτροαρνητικότητα (electro. negativity) έρχονται σε επαφή σε υγρό περιβάλλον, το πιο ηλεκτροαρνητικό από τα δύο, μέταλλο, υφίσταται μια ηλεκτρική και οξειδωτική τάση. Το αλουμίνιο είναι περισσότερο ηλεκτροαρνητικό συγκρινόμενο με τα άλλα μέταλλα. Ο εκτεθειμένος (απροστατευτός) χάλυβας, οξειδώνεται και επιτίθεται στο αλουμίνιο. Για να αποφευχθεί η διάβρωση του αλουμινίου, θα πρέπει να τοποθετείται μεταξύ των δύο μετάλλων ένα μονωτικό διαχωριστικό. Αντιθέτως, η επαφή με τον ανοξειδωτο χάλυβα, από όσα γνωρίζουμε μέχρι σήμερα, δεν φαίνεται να βλάπτει το αλουμίνιο. Η επαφή με τον χαλκό και τα κράματά του είναι εξαιρετικά επιζήμια για το αλουμίνιο και η προστασία με επιφανειακή μόνωση αυτών των δύο υλικών απαιτείται. Τέλος και ο μόλυβδος είναι πιο ηλεκτροθετικός από το αλουμίνιο και θα πρέπει να μονώνεται επίσης.

#### 2.2 Ξύλο

Τα περισσότερα είδη ξυλείας δεν έχουν επιβλαβείς επιπτώσεις στο αλουμίνιο. Ορισμένα είδη ξυλείας όμως, όπως η δρύς και η καρυδιά, παράγουν οξέα τα οποία προσβάλλουν και φθείρουν το αλουμίνιο. Αυτά τα φαινόμενα παρατηρούνται κυρίως σε συνθήκες αυξημένης υγρασίας στο περιβάλλον ή όταν το ξύλο δεν είναι αρκετά στεγνό. Συνιστάται η μόνωση με την χρήση ασφαλοτύχου χρώματος. Επίσης όταν το ξύλο υποβάλλεται σε επεξεργασίες για την προφύλαξή του από την υγρασία και τα έντομα, θα πρέπει να ελέγχεται ότι οι χημικές ουσίες που χρησιμοποιούνται για την κατεργασία δεν είναι επιβλαβείς για το αλουμίνιο. Προϊόντα που στην σύνθεσή τους περιέχεται στεατικός χαλκός, άλατα υδραργύρου και φθοριούχες ενώσεις, είναι πολύ επιβλαβή για το αλουμίνιο και θα πρέπει να αποφεύγονται.

#### 2.3 Ασβέστης/Τσιμέντο

Σε συνθήκες υγρασίας, ο ασβέστης ή το τσιμέντο αντιδρούν με το αλουμίνιο (ακόμη και όταν είναι ανοδιωμένο) αποκαλύπτοντας επιφανειακές λευκές κηλίδες στην επιφάνεια του μετάλλου μετά τον καθαρισμό. Συνιστάται να προστατεύεται το αλουμίνιο κατά την τοποθέτηση με το προστατευτικό φιλμ της Alumil.

## General Information

### 1. Aluminium as a fabrication material

Aluminium has the capability of being extruded into complex shapes to exact tolerances. Aluminium can be formed into literally thousands of unique profiles, each one able to meet a number of specific structural and aesthetic requirements. It is this capability to provide simple elegant solutions to extremely complex design problems that has led to aluminium's enduring appeal. Aluminium is chosen for outdoor use because it is a stable, corrosion resistant and light weight metal. One of aluminium's primary appeals to a specifier is its exceptional strength to weight ratio. At 2.7g/cm<sup>2</sup>, aluminium is 66% lighter than steel. It is also far less susceptible to brittle fractures. Indeed, when aluminium and steel structures are compared, aluminium's greater modulus of elasticity means that weight ratios of 1:2 are easily attained. It can also be processed at high cutting speeds and welded connections are not necessary. These advantages help to reduce fabrication time. Alumil constructions are realized with aluminium profiles extruded in the alloy EN AW 6060 according to EN 755.1. The mechanical characteristics conform to the standard EN 755.2, with a modulus of elasticity of 70GPa. The tolerances are based on EN 755.3.

### 2. Contact with other materials

#### 2.1 Metals

When two metals of differing electro.negativity values come into contact in humid conditions, an electrical couple is formed giving rise to oxidizing effects at the expense of electro.negative metal of the couple. In order to avoid severe corrosion effects, an insulating barrier should be placed between the two metals. Contact with stainless steel has not been found to be harmful to aluminium to date. Contact with copper and its alloys is extremely harmful to aluminium. It is absolutely necessary to insulate these two metals. Lead should be insulated as well.

#### 2.2 Timber

Most timbers have no harmful effects on aluminium. Some such as walnut however, produce acids which attack and damage aluminium. These effects occur especially in humid conditions or when the timber is not sufficiently dry. Insulation is recommended by using a bituminous paint. When you treat timber against humidity and insects you should check that the chemical substances used in the treatment are not harmful to aluminium. Products containing copper salts, mercury salts, and fluoride compounds are very harmful to aluminium and should be avoided.

#### 2.3 Lime/Cement

In humid conditions, limestone or cement reacts with aluminium (even when anodized) revealing superficial white spots on the surface of the metal after cleaning. It is advisable to protect the aluminium during installation with ALUMIL protective foil.

### 3. Επιφανειακή επεξεργασία

Είναι διαθέσιμα τα παρακάτω χρώματα:

Αποχρώσεις ανοδίωσης:

Φυσικό ματ χρώμα  
Μπρούτζινο χρώμα  
Ειδικές αποχρώσεις ανοδίωσης

Η διαδικασία ανοδίωσης γίνεται σύμφωνα με τις προδιαγραφές της EWAA.EURAS.

Χρώματα ηλεκτροστατικής βαφής:

Λευκό  
Καφέ  
Χρώματα RAL  
Χρώματα SABLE

Η διαδικασία της ηλεκτροστατικής βαφής γίνεται σύμφωνα με τις προδιαγραφές της Qualicoat.

### 4. Αποθήκευση

Για την αποφυγή επιφανειακών φθορών πρέπει να παίρνονται οι παρακάτω προφυλάξεις:

- 4.1 Τα προφίλ να αποθηκεύονται σε χώρο που δεν υπάρχει υγρασία
- 4.2 Να αποφεύγεται οποιαδήποτε επαφή με χάλυβα, προστατεύοντας τα προφίλ με χαρτί συσκευασίας ή πλαστική μεμβράνη. Σε υγρές περιοχές σκουριά και ρινίσματα χάλυβα μπορούν να προκαλέσουν φθορές στην επιφανειακή επεξεργασία.
- 4.3 Τα προφίλ πρέπει να αποθηκεύονται σε οριζόντια θέση με τρόπο που να αποκλείεται η πιθανότητα φθοράς ή γρατσουνίσματος κατά την μετακίνησή τους.
- 4.4 Τα προφίλ να αποθηκεύονται συσκευασμένα.

### 5. Συντήρηση του αλουμινίου

Τόσο το ανοδιωμένο όσο και το ηλεκτροστατικά βαμμένο αλουμίνιο, πρέπει να καθαρίζονται σε τακτά διαστήματα. Σε ημισιακές μη παραθαλάσσιες περιοχές που δεν επηρεάζονται από επιθετικά περιβαλλοντικά φαινόμενα όπως ατμοσφαιρική ρύπανση ή αλατώδες περιβάλλον, ο καθαρισμός μπορεί να γίνεται μαζί με τον καθαρισμό των τζαμιών. Για τον καθαρισμό του αλουμινίου συνιστάται η χρήση χλιαρού νερού και ενός «μαλακού» απορρυπαντικού που να μην είναι όξινο και να μην περιέχει αμμωνία. Μετά, πρέπει να ξεβγάζεται επιμελώς με νερό και να στεγνώνεται με ένα μαλακό απορροφητικό πανί. Σε αστικές ή παραθαλάσσιες περιοχές, ο καθαρισμός του αλουμινίου πρέπει να γίνεται πιο συχνά και με πολύ μεγάλη επιμέλεια. Οι επιφάνειες αλουμινίου που δεν εκτίθενται στην βροχή πρέπει να καθαρίζονται με μεγαλύτερη συχνότητα από τις εκτεθειμένες στην βροχή. Αν το νερό και τα μαλακά απορρυπαντικά δεν επαρκούν για τον καλό καθαρισμό του αλουμινίου, υπάρχουν και ειδικά για το αλουμίνιο απορρυπαντικά. Αυτά τα απορρυπαντικά περιέχουν ελαφρώς λειαντικά ψήγματα και μπορούν να χρησιμοποιηθούν σε συνδυασμό με ένα συνθετικό πανί καθαρισμού. Σε όλες τις περιπτώσεις είναι πολύ σημαντικό να ξεπλένονται καλά οι επιφάνειες και να στεγνώνονται επιμελώς, ειδικά οι γωνίες και τα προφίλ που έρχονται σε επαφή με το έδαφος. Για την προστασία και την επιμήκυνση του κύκλου ζωής του αλουμινίου, όλα τα προφίλ που βάφονται στα βαφεία της ALUMIL υποβάλλονται σε βελτιωτική επεξεργασία επιφάνειας SEASIDE CLASS, διαθέσιμο από την ALUMIL.

### 3. Surface treatment

The following colours are available:  
Anodised finish:

Natural colour etched  
Bronze colour  
Special anodised colours

The anodising process is carried out according to the EWAA. EURAS regulations.  
Painted finish:

White  
Brown  
RAL colours  
Sable colours

The painting process is carried out in accordance to Qualicoat regulations.

### 4. Storage

To avoid superficial damage the following precautions should be taken:

- 4.1 Store the profiles in a dry area
- 4.2 Avoid any contact with steel by protecting the profiles with wrapping paper or plastic foil. In humid areas rust and steel burr can damage the surface finish.
- 4.3 Store the profiles horizontally in such a way as to eliminate the possibility of damaging or scratching the profiles while removing them.
- 4.4 Store the profiles in batches.

### 5. Aluminium maintenance

Both anodised and painted aluminium should be cleaned on a regular basis. For urban not littoral areas that are not subjected to aggressive elements like air pollution or salty air, it is sufficient to clean the aluminium whenever you clean the glass. Warm water should be used with a dilute of a non.aggressive, non.acetous detergent without ammonia for cleaning the aluminium. Then you should thoroughly rinse the aluminium with clear water and dry using an absorbing cloth. In urban areas or areas near to the sea, the aluminium should be cleaned more often and more thoroughly. Areas that are not exposed to rainfall should be cleaned more frequently than other surfaces. If water and mild detergents are not enough to clean the aluminium fenestrations there are detergents that have been specially developed for aluminium surfaces. These detergents contain light abrasive elements and can be used with a synthetic cleaning cloth. In all cases it is important to completely rinse surfaces with clear water and dry them thoroughly, especially the corners and the bottom profile. In order to protect and increase the life cycle of the aluminium, it may be treated with a very thin clear coat of water resistant film available from ALUMIL.

**Χρήσιμα Ευρωπαϊκά πρότυπα και προδιαγραφές | Useful European standards and reference material**

EN 10211	Θερμικές γέφυρες σε κτιριακές κατασκευές . Ροές θερμότητας και επιφανειακές θερμοκρασίες . Μέρος 1.2 Thermal bridges in building construction . Heat flows and surface temperatures . Detailed calculations (ISO 10211:2007) Parts 1.2
EN 12020.1	Αλουμίνιο και κράματα αλουμινίου . Διελασμένο προφίλ ακριβείας από κράματα EN AW.6060 και EN AW.6063 . Μέρος 1: Τεχνικές συνθήκες για έλεγχο και παράδοση Aluminium and aluminium alloys . Extruded precision profiles in alloys EN AW.6060 and EN AW.6063 . Part 1: Technical conditions for inspection and delivery
EN 12020.2	Αλουμίνιο και κράματα αλουμινίου . Διελασμένο προφίλ ακριβείας από κράματα EN AW.6060 και EN AW.6063 . Μέρος 2: Ανοχές διαστάσεων και μορφή Aluminium and aluminium alloys . Extruded precision profiles in alloys EN AW.6060 and EN AW.6063 . Part 2: Tolerances on dimensions and form
EN 12046	Δυνάμεις χειρισμού . Μέθοδος δοκιμής . Μέρος 1.2 Operating forces . Test method . Part 1: Windows Part 2: Doors
EN 12152	Υαλοπετάσματα . Αεροδιαπερατότητα . Απαιτήσεις επιδόσεων και ταξινόμηση Curtain walling . Air permeability . Performance requirements and classification
EN 12153	Υαλοπετάσματα . Αεροπερατότητα . Μέθοδος δοκιμής Curtain walling . Air permeability . Test method
EN 12154	Υαλοπετάσματα . Υδατοστεγανότητα . Απαιτήσεις απόδοσης και ταξινόμηση Curtain walling . Watertightness . Performance requirements and classification
EN 12155	Υαλοπετάσματα . Υδατοστεγανότητα . Εργαστηριακή δοκιμή υπό στατική πίεση Curtain walling . Watertightness . Laboratory test under static pressure
EN 12179	Υαλοπετάσματα . Αντίσταση στην ανεμοπίεση . Μέθοδος δοκιμής Curtain walling . Resistance to wind load . Test method
EN 12207	Παράθυρα και πόρτες . Αεροπερατότητα . Ταξινόμηση Windows and doors . Air permeability . Classification
EN 12208	Παράθυρα και πόρτες . Υδατοπερατότητα . Ταξινόμηση Windows and doors . Watertightness . Classification
EN 12210	Παράθυρα και πόρτες . Αντίσταση στην ανεμοπίεση . Ταξινόμηση Windows and doors . Resistance to wind load . Classification
EN 12211	Παράθυρα και πόρτες . Αντίσταση στην ανεμοπίεση . Μέθοδος δοκιμής Windows and doors . Resistance to wind load . Test method
EN 12400	Παράθυρα και πόρτες . Μηχανική ανθεκτικότητα . Απαιτήσεις και ταξινόμηση Windows and pedestrian doors . Mechanical durability . Requirements and classification
EN 12519	Παράθυρα και πόρτες για πεζούς . Ορολογία Windows and pedestrian doors . Terminology
EN 12567	Θερμική απόδοση παραθύρων και θυρών . Προσδιορισμός της θερμικής μετάδοσης με τη μέθοδο θερμής πλάκας . Μέρος 1 Thermal performance of windows and doors . Determination of thermal transmittance by hot box method . Part 1.2
EN 13049	Παράθυρα . Κρούση με μαλακό και βαρύ σώμα . Μέθοδος δοκιμής, απαιτήσεις ασφαλείας και ταξινόμηση Windows . Soft and heavy body impact . Test method, safety requirements and classification
EN 13115	Παράθυρα . Ταξινόμηση μηχανικών ιδιοτήτων . Φορτία που εξασκούνται κάθετα, κατά την στρέψη και κατά την λειτουργία Windows . Classification of mechanical properties . Racking, torsion and operating forces
EN 13141	Αερισμός κτιρίων . Δοκιμές επίδοσης συστατικών μερών / προϊόντων για αερισμό κατοικιών . Μέρος 1.8 Ventilation for buildings . Performance testing of components/products for residential ventilation Parts 1.8

**Χρήσιμα Ευρωπαϊκά πρότυπα και προδιαγραφές | Useful European standards and reference material**

EN 13123	Παράθυρα, πόρτες και εξώφυλλα . Αντίσταση στις εκρήξεις . Απαιτήσεις και ταξινόμηση . Μέρος 1.2 Windows, doors and shutters . Explosion resistance . Requirements and classification Parts 1.2
EN 13124	Παράθυρα, πόρτες και εξώφυλλα . Αντοχή σε εκρήξεις . Μέθοδοι δοκιμής . Μέρος 1.2 Windows, doors and shutters . Explosion resistance . Test method Parts 1.2
ENV 13420	Παράθυρα . Συμπεριφορά μεταξύ διαφορετικών κλιμάτων . Μέθοδος δοκιμής Windows . Behaviour between different climates . Test method
EN 13501	Ταξινόμηση δομικών προϊόντων και στοιχείων σχετικά με την φωτιά . Μέρος 1.5 Fire classification of construction products and building elements Parts 1.5
EN 13541	Υαλος για δομική χρήση . Υαλοστάσια ασφαλείας . Δοκιμές για ταξινόμηση της αντίστασης σε πίεση λόγω έκρηξης Glass in building . Security glazing . Testing and classification of resistance against explosion pressure
EN 14351	Παράθυρα και πόρτες . Πρότυπο προϊόντος, χαρακτηριστικά επίδοσης . Μέρος 1: Παράθυρα και εξωτερικά συστήματα θυρών για πεζούς χωρίς χαρακτηριστικά πυραντίστασης ή/και διαρροής καπνού Windows and doors . Product standard, performance characteristics
EN 14600	Συστήματα θυρών και ανοιγόμενα παράθυρα με χαρακτηριστικά πυραντίστασης ή/και ελέγχου καπνού . Απαιτήσεις και ταξινόμηση Doorsets and openable windows with fire resisting and/or smoke control characteristics . Requirements and classification
EN 14608	Παράθυρα . Προσδιορισμός της αντίστασης σε κατακόρυφο φορτίο Windows . Determination of the resistance to racking
EN 14609	Παράθυρα . Προσδιορισμός της αντίστασης σε στατική στρέψη Windows . Determination of the resistance to static torsion





**Πνευματικά Δικαιώματα:**

Πνευματικά δικαιώματα © ALUMIL A.E. Απαγορεύεται η αναδημοσίευση, ολική ή μερική αντιγραφή κειμένων, φωτογραφιών και γενικότερα πληροφοριών που περιέχονται στις σελίδες του εγχειριδίου και δεν αποτελούν αναδημοσίευση από άλλες πηγές. Όλα τα κείμενα, γραφικά, εικόνες που παρουσιάζονται σε οποιοδήποτε τμήμα του εγχειριδίου αποτελούν πνευματική ιδιοκτησία του δημιουργού τους. Κάθε αναδημοσίευση, η αναπαραγωγή, σε οποιοδήποτε μέσο, μετά ή άνευ επεξεργασίας, περιεχομένων του εγχειριδίου χωρίς προηγούμενη έγγραφη άδεια, δεν επιτρέπεται. Η μη επιτρεπτή χρήση του υλικού του εγχειριδίου σημαίνει αυτόματα καταλογοισμό ευθυνών σύμφωνα με τον Ν. 2121/93 και τους κανόνες διεθνούς δικαίου που ισχύουν στην Ελλάδα.

**Αποκήρυξη Ευθύνης:**

Προσπαθούμε να κάνουμε αυτό το εγχειρίδιο και τα περιεχόμενα του αξιόπιστα, αλλά τυχόν ανακρίβειες μπορεί να προκύψουν. Η εταιρεία δεν ευθύνεται για τυπογραφικά λάθη, παραλείψεις και ανακρίβειες σε αυτό το εγχειρίδιο. Οι πληροφορίες σε αυτό το εγχειρίδιο υπόκεινται σε αλλαγή χωρίς προειδοποίηση.

**Copyright Notice:**

Copyright © 2012 Alumil S.A. All rights reserved. None of the materials provided on this manual may be used, reproduced or transmitted, in whole or in part, in any form or by any means, manual electronic or mechanical, including photocopying, recording or the use of any information storage and retrieval system without permission in writing from the publisher.

**Disclaimer of Liability:**

In preparation of this manual, every effort has been made to offer the most current, correct, and clearly expressed information possible. Nevertheless, inadvertent errors in information may occur. In particular but without limiting anything here, Alumil S.A. disclaims any responsibility for typing errors and inaccuracy of the information that may be contained in this manual. The information in this manual is subject to change without notice to the User. Alumil S.A. and its authorized agents and dealers make no warranties or representations whatsoever regarding the quality, content, completeness, suitability, adequacy, sequence, accuracy, or expiration of information contained in this manual.







HEAD OFFICES  
8 GOGOUSI STR., GR 56429  
EFKARPIA, THESSALONIKI  
T +30 2313 011000  
F +30 2310 692473

FACTORY  
KILKIS INDUSTRIAL AREA  
GR 61100 KILKIS  
T +30 23410 79300  
F +30 23410 71988

[www.alumil.com](http://www.alumil.com)  
[info@alumil.com](mailto:info@alumil.com)

